

PLEASE THINK BEFORE YOU PRINT

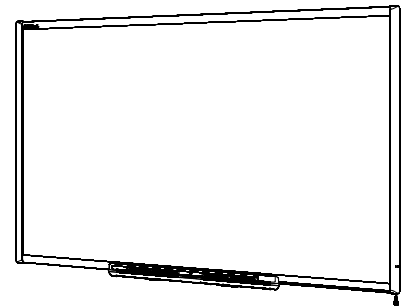
Specifications

SMART Board™ Interactive Whiteboard

Model 690

Physical Specifications

Size	85 3/4" W × 49 1/2" H × 5 1/8" D (217.8 cm × 125.7 cm × 13 cm)
Active Screen Area (maximum interactive, projected image)	82 1/8" W × 46 1/8" H (208.6 cm × 117.2 cm) 94 1/4" diagonal (239.3 cm) 16:9 aspect ratio
Weight	48 lb. (21.8 kg)
Shipping Size	
1 unit	54" W × 94 1/2" H × 5 1/2" D (137.2 cm × 238.8 cm × 14 cm)
8 units on pallet	55" W × 99" H × 45" D (139.7 cm × 251.5 cm × 114.3 cm)
Shipping Weight	
1 unit	59 lb. (26.8 kg)
8 units on pallet	492 lb. (223.6 kg)



All dimensions +/- 1/8" (0.3 cm). All weights +/- 2 lb. (0.9 kg)

Extraordinary made simple™

SMART™

Standard Features

Software	SMART Notebook software included. See the SMART Notebook software specifications for a complete list of system requirements. Software upgrades are available at www2.smarttech.com/st/en-US/Support/SBS/ .
Pen Tray	Optical sensors in the pen tray detect when a pen or eraser is lifted from the tray. LEDs show the active tool.
Pens and Eraser	Black, blue, red and green pen tray pens and a rectangular eraser
Resolution	Touch resolution is approximately 4000 × 4000.
Screen Surface	The hard-coated polyester surface is tear proof, optimized for projection, compatible with dry-erase markers and easily cleaned with whiteboard cleaner.
Digitizing Technology	Resistive
Frame Finish	Two-tone gray (approximates Pantone® Charcoal Gray 18-0601 TPX) and Ultrasonic Chrome (approximates metallic Pantone 877 C)
Wall-Mount Bracket	2 × 32" (81.3 cm) wide, spaced 2" (5.1 cm) apart, with ten screws and drywall anchors to support the wall-mounted interactive whiteboard
Computer Connection	16' (5 m) USB 2.0 cable
Power Requirements	Power is obtained from the computer directly through the USB cable for Windows®, Mac and Linux® computers. Power consumption is less than 1.5 W (300mA at 5V).
Certifications and Compliance	CSA (U.S./Canada), CE, CB (TUV), China EIP, EU RoHS, WEEE, VCCI
Warranty	Five-year limited equipment warranty upon registration. See warranty document for details.

NOTE

A digital projector is not included with this model of SMART Board interactive whiteboard. To take advantage of all interactive features, you must integrate a 16:9 aspect ratio digital projector.

Storage and Operating Specifications

Storage	-40°F to 120°F (-40°C to 50°C)
Operation	41°F to 95°F (5°C to 35°C) with up to 80% humidity non-condensing

SMART Order Number

SB680	94 1/4" diagonal (239.3 cm) diagonal SMART Board interactive whiteboard
--------------	---

Optional Accessories

Part Number	Description	NA	UK	EU	AU
RS232-XX	RS-232 to USB conversion module that allows a serial connection to the interactive whiteboard as an alternative to USB	✓	✓		
WC6-XX	Wireless Bluetooth® connection between the SMART Board interactive whiteboard and the computer	✓	✓		
SBA-XX	USB audio system with two 15 W speakers that mount to the interactive whiteboard or wall	✓	✓		✓
SYSON6-XX	SystemOn expansion module wakes up the computer and turns on the projector with one button press	✓	✓		
USB-GW	GoWire™ SMART Board software auto-launch USB cable				
USB-XT	16' (5 m) USB active extension cable				
CAT5-XT	USB to Cat 5 cable extender set				
RPEN-ER	Replacement set of four pen tray pens (black, red, blue and green) and rectangular eraser				
RPEN	Replacement set of four pen tray pens (black, red, blue and green)				

NOTE

Part numbers ending in XX have power supplies for those countries or regions, as indicated by ✓ in the columns to the right. When ordering, substitute the XX in the part number with the country code as follows:

NA = U.S. and Canada

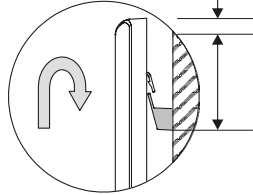
UK = United Kingdom

EU = European Union

AU = Australia

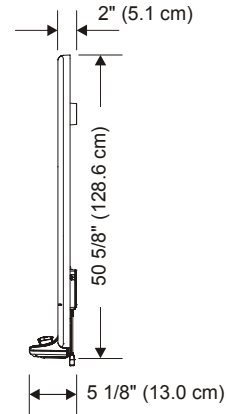
Physical Dimensions

Leave at least 5/8" (1.6 cm) headroom to wall mount the interactive whiteboard

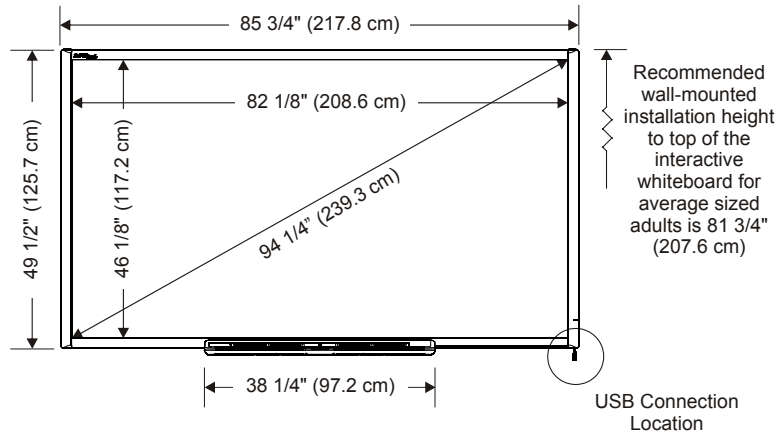


Distance from the bottom of the wall mount bracket to the top of an installed interactive whiteboard is 4 1/4" (10.8 cm)

**Wall-Mounted
Cut Away View**



**Wall-Mounted
Side View**



**Wall-Mounted
Front View**



www.smarttech.com/support www.smarttech.com/contactsupport
Support +1.403.228.5940 or Toll Free 1.866.518.6791 (U.S./Canada)

