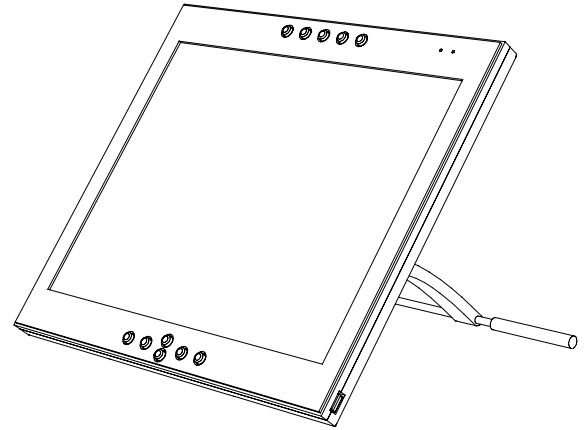


# Symposium™ Interactive Pen Display

## Specifications – Model ID350

### Physical Specifications

<b>Size</b>	13 1/2" W x 11 3/4" H x 1 7/8" D (34.3 cm x 29.8 cm x 4.8 cm)
<b>With Tilt Stand (lowest position)</b>	13 1/2" W x 4 3/8" H x 11 1/2" D (34.3 cm x 11.1 cm x 29.2 cm)
<b>With Tilt Stand (highest position)</b>	13 1/2" W x 11 1/2" H x 8 1/2" D (34.3 cm x 29.2 cm x 21.6 cm)
<b>Display Area</b>	12" W x 9" H (30.5 cm x 22.9 cm) 15" (38.1 cm) diagonal
<b>Weight (with stand)</b>	10 lb. (4.5 kg)
<b>Shipping Size</b>	17 5/8" W x 16 3/8" H x 8 3/4" D (44.8 cm x 41.6 cm x 22.2 cm)
<b>Shipping Weight</b>	14 lb. 8 oz. (6.6 kg)



All dimensions +/- 1/8" (0.3 cm). All weights +/- 2 lb. (0.9 kg).

### Console Features

<b>Software</b>	SMART Notebook software included. See the <a href="#">SMART Notebook software specifications</a> for a complete list of system requirements. Software upgrades are available at <a href="http://www2.smarttech.com/st/en-US/Support/SBS/">www2.smarttech.com/st/en-US/Support/SBS/</a> .
<b>Tilt Stand</b>	You can adjust the console's tilt angle from a minimum position of 18° from vertical to a maximum position of 73° from vertical
<b>Mounting</b>	Standard VESA 75 mm rear mounting plate
<b>Cables</b>	HD15 video cable USB cable
<b>Power Supply</b>	Input: 100V–240V AC 50/60 Hz Output: 12V DC, 3.3A, 40 W maximum
<b>Power Management</b>	VESA DPMS
<b>Power Consumption</b>	Maximum 23 W
<b>Plug and Play</b>	DDC2B, EDID 1.3
<b>Certifications and Compliance</b>	FCC, CE, WEEE, RoHS (Europe), RoHS (China)
<b>Warranty</b>	Two-year limited warranty. See warranty document for details.

### Interactive Pen Display Features

<b>Screen</b>	a-Si TFT active-matrix LCD display
<b>Screen Type</b>	Electromagnetic resonance technology
<b>Communication Interface</b>	USB 2.0 (high speed)
<b>Resolution</b>	XGA 1024 x 768 pixels
<b>Synchronization Range</b>	Horizontal: 30 kHz–56.5 kHz Vertical: 50 Hz–70 Hz

**NOTE:** Some Mac computers transmit video signals outside the 50 Hz–75 Hz synchronization range. These models cannot be used with the Symposium™ interactive pen display.

## Specifications – Model ID350

<b>Viewing Angle</b>	Horizontal 140° and vertical 125° (typical)
<b>Color Depth</b>	16.2 million
<b>Contrast Ratio</b>	500:1 (typical)
<b>Brightness</b>	Luminance of 250 cd/m <sup>2</sup> (typical)
<b>Input Video Signal</b>	Analog 0.7 Vp-p positive at 75 ohm
<b>Auto Adjustment</b>	Less than 2 seconds
<b>Display Response Time</b>	16 milliseconds black-white-black response (typical)
<b>On-Screen Display Control</b>	Brightness, Contrast, Horizontal Position, Vertical Position, Phase, Language, Reset, Color Setting, Color Adjustment (for Red, Green and Blue)

---

### Tablet Features

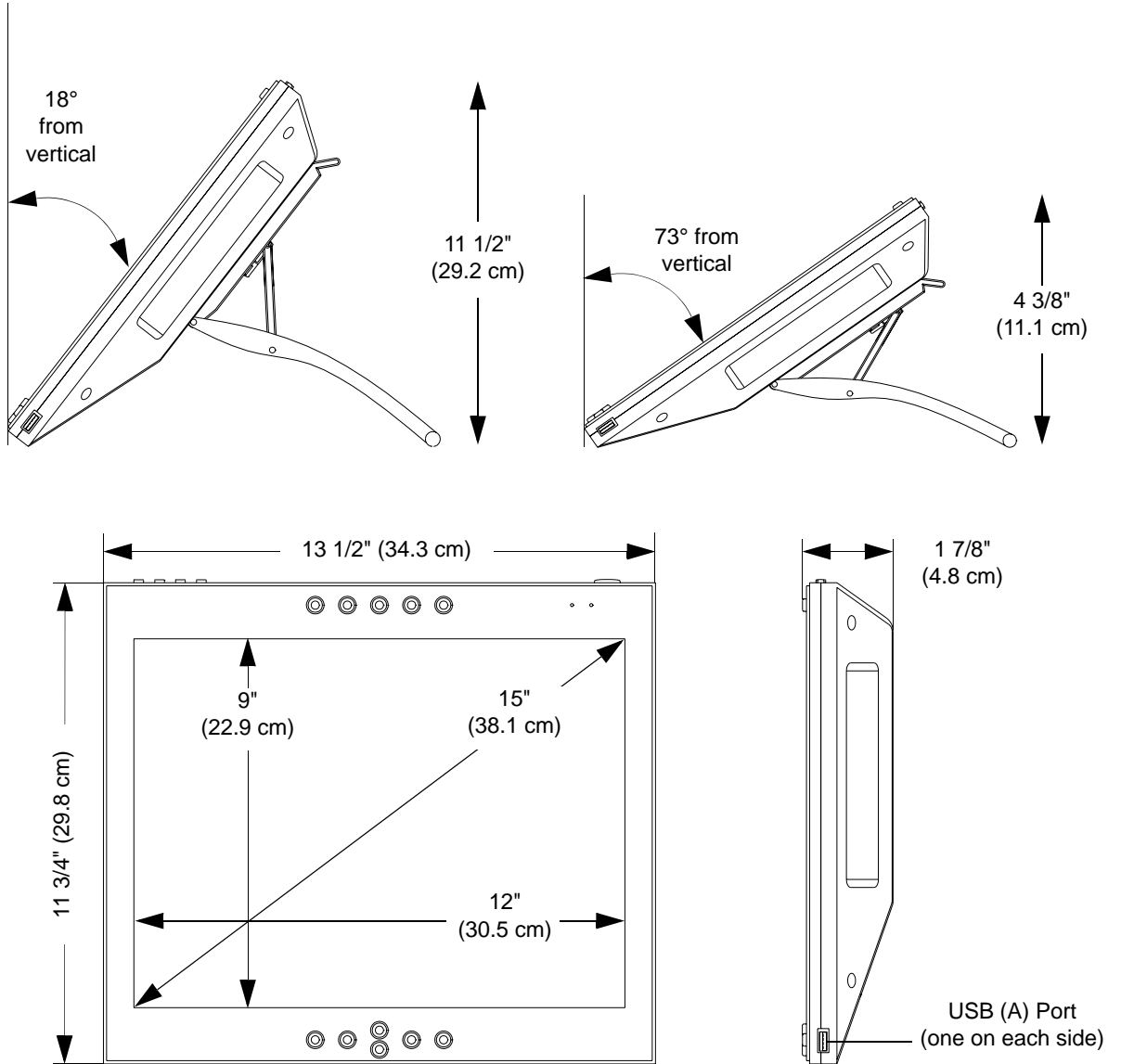
<b>Pen Tool Buttons</b>	Control the pen behavior: Left Mouse, Digital Ink (Black, Blue and Red) and Eraser
<b>Function Buttons</b>	Access tools and applications: Floating Tools, Notebook Software, Screen Capture, Right Mouse Click and Keyboard
<b>Technology</b>	Electromagnetic resonance technology with USB interface
<b>Pen</b>	Battery-free, tethered pen with convenient storage location for easy access
<b>Pen Report Rate</b>	100 points per second
<b>Power Indicator</b>	Blue light turns on when video signal is present; orange light turns on when video signal isn't present; blue and orange lights blink while power management is active
<b>Status Indicator</b>	Blue status light turns on when tip switch is pressed
<b>Input/Output Interface</b>	Video IN        HD15 (F) Video OUT      HD15 (F) USB             USB (B) (×1) USB 2.0 receptacle to connect the ID350 to your computer USB             USB (A) (×2) integrated USB 2.0 hub to connect a mouse, keyboard or memory storage device
	<b>NOTE:</b> You must connect the interactive pen display to your computer using a USB connection.
<b>Security</b>	Kensington® security slot

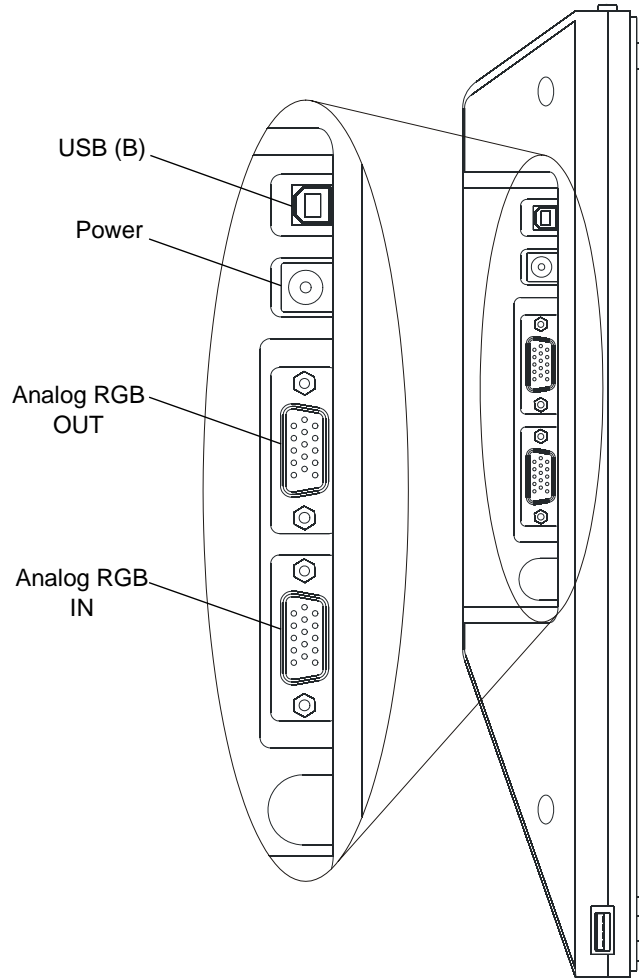
---

### Storage and Operating Specifications

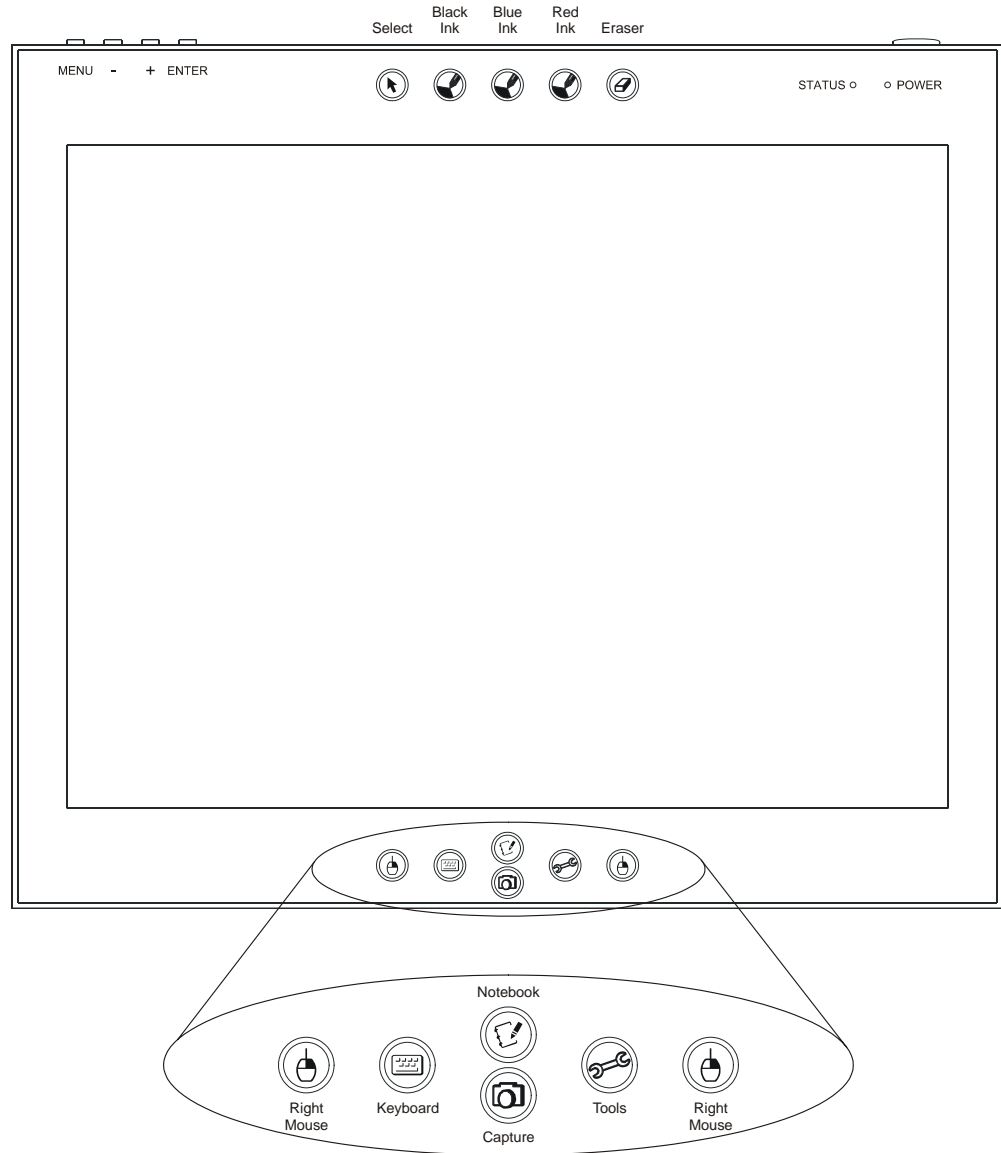
<b>Storage</b>	14°F to 140°F (-10°C to 60°C) with 20 to 90% humidity, non-condensing
<b>Operation</b>	41°F to 95°F (5°C to 35°C) with 20 to 80% humidity, non-condensing

Physical Dimensions





## Specifications – Model ID350



### Optional Accessories

**USB-GW** GoWire™ SMART Board™ software auto-launch USB cable

### SMART Order Number

**SSID350** Sympodium ID350 interactive pen display

[www.smarttech.com/support](http://www.smarttech.com/support) [www.smarttech.com/contactsupport](http://www.smarttech.com/contactsupport)  
Support +1.403.228.5940 or Toll Free 1.866.518.6791 (U.S./Canada)

© 2007–2008 SMART Technologies ULC. All rights reserved. Sympodium, GoWire, SMART Board, smarttech and the SMART logo are trademarks or registered trademarks of SMART Technologies ULC in the U.S. and/or other countries. Windows is either a registered trademark or a trademark of Microsoft Corporation in the U.S. and/or other countries. All other third-party product and company names may be trademarks of their respective owners. Patent No. US5448263; US6141000; US6320597; US6326954; US6337681; US6741267; US6747636; US7151533; and CA2058219. Other patents pending. Specifications are subject to change without notice. 08/2008.

**SMART**  
Technologies