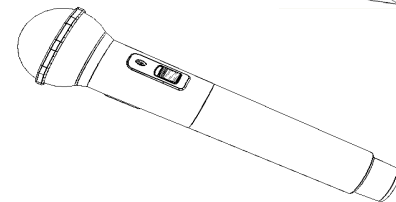
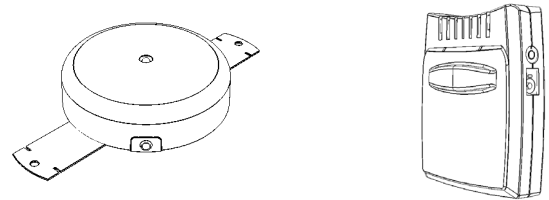
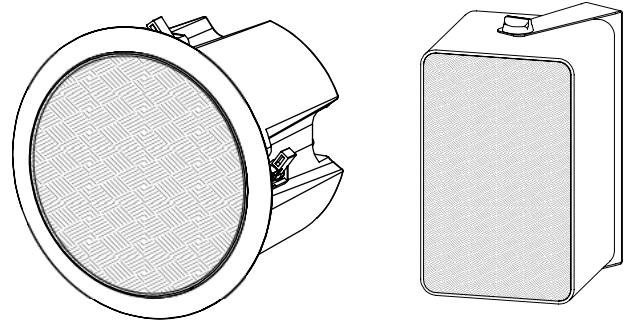
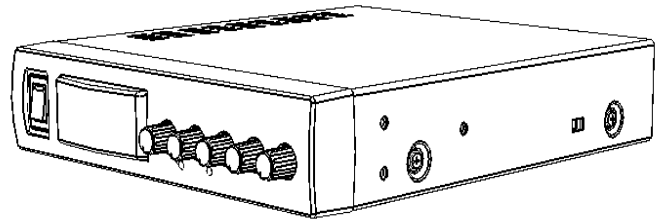


SMART Audio

Specifications – Model CAS-240-C and CAS-240-W

Physical Specifications

Receiver Size	8" W × 9 3/16" D × 1 11/16" H (20.3 cm × 23.4 cm × 4.3 cm)
Receiver Weight	2.9 lb. (1.3 kg)
Handheld Student Microphone Size	9 11/16" W (24.6 cm)
Handheld Student Microphone Weight	10.9 oz (309 g)
Teacher Microphone Size	2 3/4" W × 1 1/8" D × 3 3/16" H (7 cm × 2.8 cm × 8.1 cm)
Teacher Microphone Weight	2.5 oz (70 g)
Infrared Ceiling Sensor Size	ø 4" × 1 1/8" H (10.2 cm × 2.9 cm)
Infrared Ceiling Sensor Weight	6.2 oz (176 g)
Ceiling Speaker Size	ø 9" × 6" H (22.9 cm × 15.2 cm)
Ceiling Speaker Weight	3.9 lb. (1.8 kg)
Wall Speaker Size	4 11/16" W × 7 3/8" H × 4 1/2" D (11.9 cm × 18.7 cm × 11.4 cm)
Wall Speaker Weight	2.5 lb. (1.2 kg)
Shipping Size and Weight	
SMART Audio 240 with Ceiling Speakers	Size: 22 3/4" W × 14 5/8" H × 20 1/2" D (58.0 cm × 37.0 cm × 52.0 cm) Weight: 28.9 lb. (12.7 kg)
SMART Audio 240 with Wall Speakers	Size: 12" W × 15 1/4" H × 13 1/4" D (30.5 cm × 38.5 cm × 33.8 cm) Weight: 20.7 lb. (9.4 kg)



All dimensions +/- 1/16" (0.15 cm). All weights +/- 2 lb. (0.9 kg).

Receiver Features

Receiver Type	Super heterodyne, crystal controlled
Subcarrier Frequencies	2.06 MHz and 2.56 MHz (switchable)
Modulation	FM
Signal to Noise	>75 dBA weighted
Reception Sensitivity	>25 dBµV
Line Input Impedance	32k ohms ±15
Line Output Adjustment	0 ~ +10 dBu
Audio Output	5 W × 4 at 4 ohms
Power Requirement	15V DC at 2.7A

Teacher Microphone Features

Microphone Element Type	Uni-directional electret (×2)
Sub Carrier Frequencies	2.06 MHz and 2.56 MHz (switchable)
Frequency Response	50 Hz – 9 kHz ± 3 dB
Battery Type	Includes 2 AA NiMH rechargeable batteries
Battery Life	Approximately 8 hours
External Mic Input Impedance	2.2k ohms
External Microphone Input Jack	∅ 3.5 mm
External Microphone Voltage/Current	3.5V DC at 1mA

Student Microphone Features

Microphone Element Type	Uni-directional dynamic
Sub Carrier Frequencies	2.06 MHz and 2.56 MHz (switchable)
Frequency Response	50 Hz – 8 kHz ± 3dB
Battery Type	Includes 2 AA NiMH rechargeable batteries
Battery Life	Approximately 6 hours

Infrared Ceiling Sensor

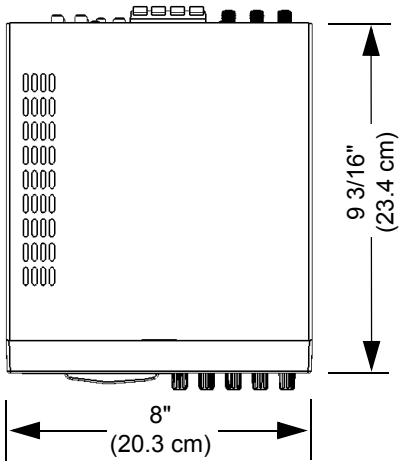
Output	F-type Connector
Power	24V at 15mA (powered by receiver)
Cable Requirement	Plenum rated RG-59 75 ohms coaxial

SMART Order Numbers

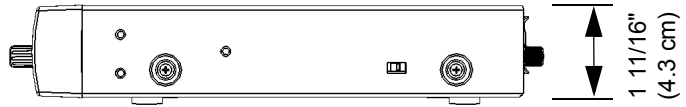
CAS-240-C	SMART Audio 240 system with ceiling speakers
CAS-240-W	SMART Audio 240 system with wall speakers
51-00722-20	Optional ceiling tile reinforcement plate
03-00120-20	Additional ceiling-mounted infrared sensors
01-00255	Four replacement NiMH AA rechargeable batteries

Dimensions

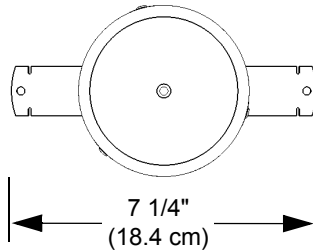
Receiver Top View



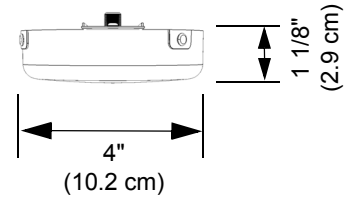
Receiver Side View



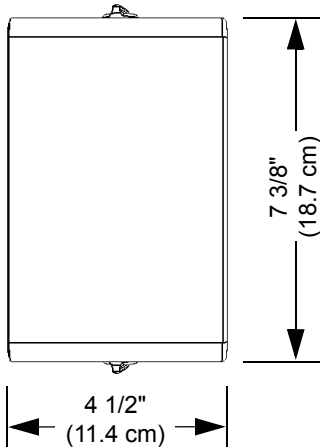
Infrared Ceiling Sensor Top View



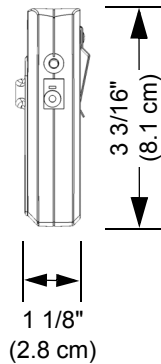
Infrared Ceiling Sensor Side View



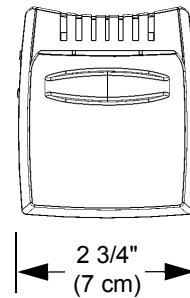
Wall Speaker Side View



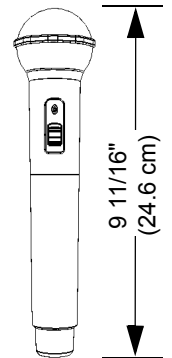
Teacher Microphone Side View



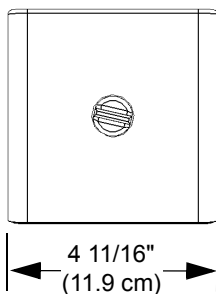
Teacher Microphone Front View



Handheld Student Microphone



Wall Speaker Top View



Ceiling Speaker Side View

