

SMART Board™ Interactive Whiteboard Floor Stands

Specifications – Model FS540 and FS570

Floor Stand FS540 Physical Specifications (for SMART Board 540 Interactive Whiteboards)

Size	Anti-tip Feet Extended	34 1/4" W × 58 5/8" H × 33 1/2" D (87.0 cm × 148.9 cm × 85.1 cm)
	Anti-tip Feet Retracted	34 1/4" W × 58 5/8" H × 28" D (87.0 cm × 148.9 cm × 71.1 cm)
	SMART Board 540 Interactive Whiteboard Installed and Anti-tip Feet Extended	40" W × 59 1/8" to 72 5/8" H × 33 1/2" D (101.6 cm × 150.2 cm to 184.5 cm × 85.1 cm)
Weight	Floor Stand	37 lb. (16.8 kg)
	Floor Stand with SMART Board 540 Interactive Whiteboard	57 lb. 13 oz. (26.2 kg)
Shipping Size		31" W × 63" H × 4" D (78.7 cm × 160.0 cm × 10.2 cm)
Shipping Weight	Floor Stand and Carton	45 lb. (20.4 kg)
Height Adjustment		Adjustable in 1 1/2" (3.8 cm) increments. The top of an installed SMART Board 540 interactive whiteboard ranges from 59 1/8" to 72 5/8" (150.2 cm to 184.5 cm).
Stability		Four lockable casters keep the stand in place during use

All dimensions +/- 1/8" (0.3 cm). All weights +/- 1/2 lb. (0.2 kg).

Floor Stand FS570 Physical Specifications (for SMART Board 560 and 580 Interactive Whiteboards)

Size	Anti-tip Feet Extended	46 1/4" W × 58 5/8" H × 33 1/2" D (117.5 cm × 148.9 cm × 85.1 cm)
	Anti-tip Feet Retracted	46 1/4" W × 58 5/8" H × 28" D (117.5 cm × 148.9 cm × 71.1 cm)
	SMART Board 560 Interactive Whiteboard Installed and Anti-tip Feet Extended	50 1/2" W × 65 3/4" to 79 1/4" H × 33 1/2" D (128.3 cm × 167.0 cm to 201.3 cm × 85.1 cm)
	SMART Board 580 Interactive Whiteboard Installed and Anti-tip Feet Extended	60" W × 70 1/2" to 84" H × 33 1/2" D (152.4 cm × 179.1 cm to 213.4 cm × 85.1 cm)
Weight	Floor Stand	38 lb. 10 oz. (17.5 kg)
	Floor Stand with SMART Board 560 Interactive Whiteboard	68 lb. 3 oz. (30.9 kg)
	Floor Stand with SMART Board 580 Interactive Whiteboard	79 lb. 13 oz. (36.2 kg)
Shipping Size		31" W × 63" H × 4" D (78.7 cm × 160.0 cm × 10.2 cm)
Shipping Weight	Floor Stand and Carton	46 lb. 10 oz. (21.1 kg)
Height Adjustment		Adjustable in 1 1/2" (3.8 cm) increments. The top of an installed SMART Board 560 interactive whiteboard ranges from 65 3/4" to 79 1/4" (167.0 cm to 201.3 cm). The 580 ranges from 70 1/2" to 84" (179.1 cm to 213.4 cm).
Stability		Four lockable casters keep the stand in place during use

SMART Order Numbers

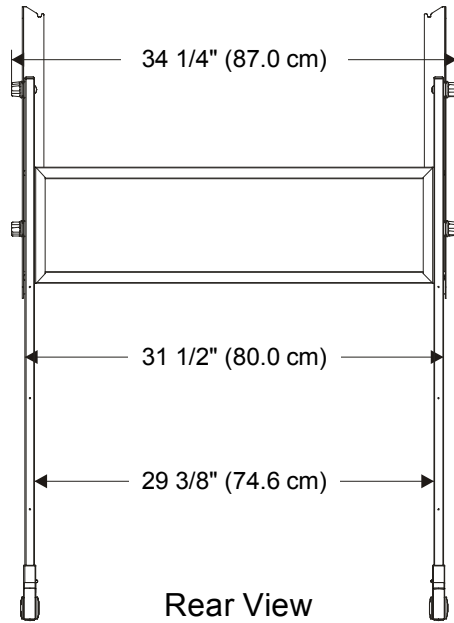
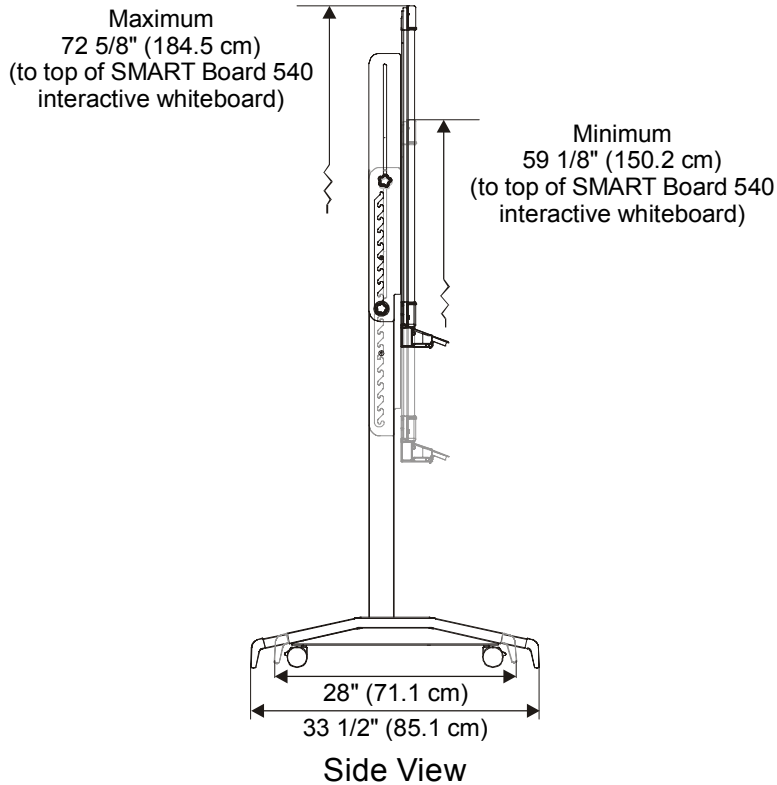
FS540	Floor stand for SMART Board 540 interactive whiteboards
FS570	Floor stand for SMART Board 560 and 580 interactive whiteboards

SMART Technologies Inc.
1207 – 11 Avenue SW, Suite 300
Calgary, AB T3C 0M5
CANADA
Phone +1.403.245.0333
Toll Free 1.888.42.SMART (Canada/U.S.)
info@smarttech.com www.smarttech.com

SMART
Technologies Inc.

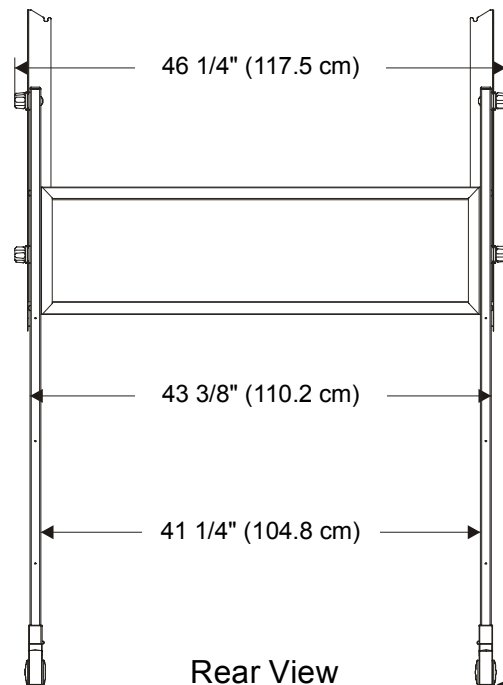
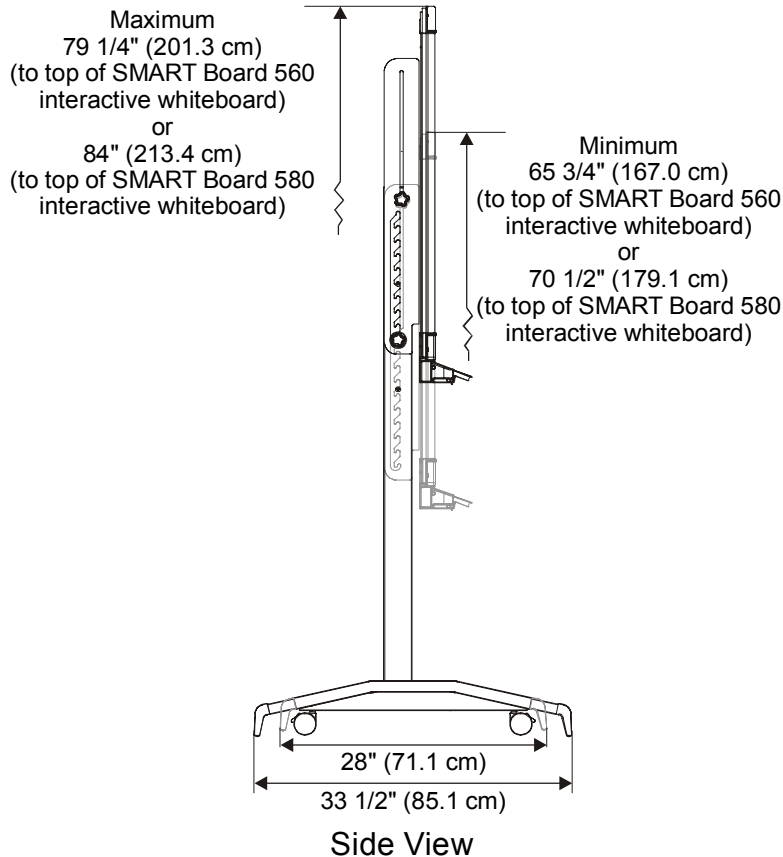
SMART Board™ Interactive Whiteboard Floor Stands

Specifications – Model FS540



All dimensions +/- 1/8" (0.3 cm)

Specifications – Model FS570



All dimensions +/- 1/8" (0.3 cm)

