

PLEASE THINK BEFORE YOU PRINT

## Specifications

# SMART Board™ Interactive Whiteboard System

## Model 660i3

### Physical Specifications

#### UF55 Projector System

**Total Size** 18 1/2" W × 15 1/2" H × 47 1/4" D  
(47 cm × 39.4 cm × 120 cm)

**Remote Control** 1 5/8" W × 3 3/8" H × 1/4" D  
(4 cm × 8.6 cm × 0.7 cm)

**Extended Control Panel** 11" W × 7 5/8" H × 2 3/8" D  
(27.9 cm × 19.4 cm × 6 cm)

**Weight** 33 lb. 14 oz. (15.4 kg)

**Shipping Weight** 41 lb. 3 oz. (18.7 kg)

#### Shipping Size

**Boom Box** 39 3/4" W × 9 1/2" H × 16" D  
(100.9 cm × 24.1 cm × 41.2 cm)

**Projector Box** 18 1/2" W × 15 1/8" H × 8 1/4" D  
(47 cm × 38.5 cm × 21cm)

#### SMART Board™ 660 Interactive Whiteboard

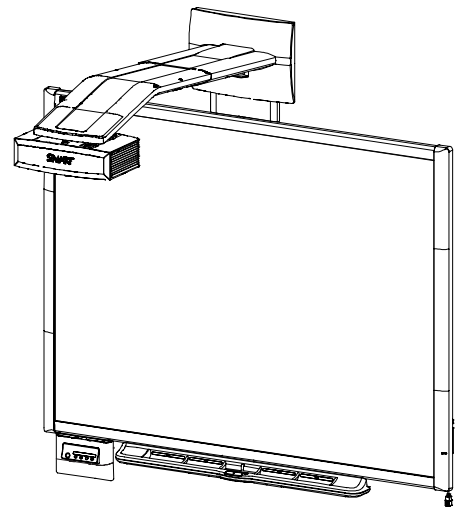
**Size** 54 3/4" W × 41 5/8" H × 5 1/8" D  
(139.1 cm × 105.7 cm × 13 cm)

**Active Screen Area** 51 1/4" W × 38 1/4" H  
(130.2 cm × 97.2 cm)  
64" diagonal (162.6 cm)

**Weight** 21 lb. 14 oz. (9.9 kg)

**Shipping Size** 46" W × 64 1/2" H × 5 1/2" D  
(116.8 cm × 163.8 cm × 14 cm)

**Shipping Weight** 35 lb. (15.9 kg)



All dimensions +/- 1/8" (0.3 cm). All weights +/- 2 lb. (0.9 kg)

Extraordinary made simple™

**SMART**™

## Standard Features

<b>Software</b>	SMART Notebook software included. See the <a href="#">SMART Notebook software specifications</a> for a complete list of system requirements. Software upgrades are available at <a href="http://www2.smarttech.com/st/en-US/Support/SBS/">www2.smarttech.com/st/en-US/Support/SBS/</a> .
<b>Certifications and Compliance</b>	CSA (U.S./Canada), CB, CE, FCC, RoHS (China), RoHS (Europe), WEEE, VCCI (Japan), C-Tick (Australia)
<b>Warranty</b>	The projector and extended control panel (ECP) have a three-year limited equipment warranty. The UF55 projector lamp has a 500 hour/90 day warranty. The interactive whiteboard has a two-year limited equipment warranty or a five-year limited equipment warranty upon registration. See warranty documents for details.
<b>Cables</b>	Includes the necessary cables to connect the projector to the extended control panel. However, you must supply the appropriate input cables for your personal computer and devices.

## Interactive Whiteboard Features

<b>Pen Tray</b>	Optical sensors in the pen tray detect when you lift a pen or the eraser from the tray. LED lights show the active tool.
<b>Pens and Eraser</b>	A rectangular eraser and black, blue, red and green pens
<b>Resolution</b>	Touch resolution is approximately 4000 × 4000.
<b>Screen Surface</b>	The hard-coated surface is tear proof, optimized for projection, compatible with dry-erase markers and cleans easily with whiteboard cleaner.
<b>Digitizing Technology</b>	Resistive technology
<b>Frame Finish</b>	Two-tone gray (approximates Pantone® Charcoal Gray 18-0601 TPX) and Ultrasonic Chrome (approximates metallic Pantone 877C)
<b>Wall-Mount Bracket</b>	32" (81.3 cm) wide with five screws and drywall anchors to support the wall-mounted interactive whiteboard
<b>Projector Mounting Template</b>	The template ensures simple installation and accurate alignment between the UF55 projector and your SMART Board 660 interactive whiteboard.
<b>Installation Instructions</b>	Do not use the SMART Board 660 interactive whiteboard instructions when installing the SMART Board 660i3 interactive whiteboard system. The installation instructions for the SMART Board 660i3 interactive whiteboard system are included with the UF55 projector.
<b>Theft Prevention</b>	The SMART Board 660 interactive whiteboard features a pen tray locking feature and a Kensington® security slot on the pen tray.

## UF55 Projector System Features

<b>System Components</b>	UF55 projector, boom mount with a limit strap (including a controlled-collapse feature), extended control panel (ECP), remote control and all necessary input cables from the ECP to the projector
<b>Image Adjustment</b>	The mounting boom includes three mechanical adjustments for aligning the projector image with your interactive whiteboard. The projector also has a focus lever and a digital on-screen menu for brightness, contrast and other image-related attributes.
<b>Display Type</b>	True XGA 1024 × 768 projector
<b>Display Technology</b>	The projection engine uses DLP® technology by Texas Instruments®, providing Brilliant Color™ performance and quality Gamma 2.2 correction with Bright Classroom, Dark Classroom, sRGB and User modes.
<b>Brightness</b>	Estimated at 2000 lumens (typical) at a CCT of 6500° K by the IEC method
<b>Lamp Life</b>	3000 hours (Standard 200 W mode) or 4000 hours (Economy 160 W mode)
<b>Aspect Ratio</b>	4:3 native, with support for 16:9, 16:10 and 4:5 ratios
<b>Contrast Ratio</b>	2000:1
<b>Video System Compatibility</b>	NTSC, NTSC 4.43, PAL, PAL-N, PAL-M, SECAM
<b>Video Interface Compatibility</b>	Composite, S-video, and VESA RGB, with additional interface support for Component YPbPr and Component YCbCR inputs with the proper adapters (not included)
<b>Video Format Compatibility</b>	Native 4:3 aspect ratio XGA projector resolution. With scaling, VGA, SVGA, SXGA, QuadVGA, SXGA+ and UXGA formats are supported.
<b>Synchronization</b>	Auto image synchronization (auto tracking, frequency, position adjustment, source detect and phase detect)
<b>Mounting Hardware</b>	Hardware is included for mounting the UF55 projector and the ECP to framed and solid walls. A safety tether and limit strap are included.
<b>Input/Output Connections</b>	Two HD DB15F connectors – RGB video input from computer and/or ECP via VGA connectors HD DB15F connector – video output passthrough of Video Input 1 signal 4-pin mini-DIN connector – S-video input One pair of audio jacks (RCA, stereo) reserved for use with S-video Composite video connector – RCA-style video input One pair of audio jacks (RCA, stereo) reserved for use with composite video 3.5 mm stereo jack – audio input from computer 3.5 mm stereo jack – audio output to connect speakers DB9M – serial (RS-232) for power and communication to the ECP RJ-45 – network connection for SNMP management and control, and for sending e-mail alerts

<b>Projector Fan</b>	Standard fan speed: 0 to 6000' (0 m to 1829 m) 5° C to 35° C High fan speed: 6000' to 6800' (1829 m to 2073 m) 5° C to 30° C
<b>Projector Noise</b>	36 dBA (high fan speed) or 31 dBA (standard fan speed) measured using JIS method
<b>Power Requirements</b>	100V AC to 240V AC, at 50 Hz to 60 Hz
<b>Power Switch</b>	Master power control switch
<b>Power Cable</b>	One 14' 9" (4.5 m) power cable included
<b>External Control</b>	The RS-232 connector is configured to accept control codes from your computer or a room control system.
<b>Power Consumption</b>	385 W (Standard mode) to 504 W maximum. 5 W in Standby mode.
<b>Remote Control</b>	Provides an alternate method of controlling the UF55 projector settings
<b>Theft Protection</b>	The UF55 projector system features optional security screws on the projector plate and an optional padlocked ring to safeguard the adjustment knob. The projector won't function if it is separated from the ECP and can't be operated without the remote control. A Kensington security slot is provided to affix the system to a wall as a visual and physical theft deterrent.

### Extended Control Panel (ECP) Features

<b>Input/Output Connections</b>	HD DB15F connector – RGB video from computer (supports component video CAV, YPbPr or YUV) HD DB15F connector – RGB video to projector DB9F – serial (RS-232) computer or room control connection DB25M – provides input signals and control signals to the projector 4-pin mini-DIN connector – S-video input One pair of audio jacks (RCA, stereo) reserved for S-video Composite video connector – RCA-style video input One pair of audio jacks (RCA, stereo) reserved for composite video 3.5 mm stereo jack – PC audio input
<b>Power Button</b>	Turns the projector on and off
<b>Input Selection Buttons</b>	Provide control for the following input types: S-video and associated audio (RCA jacks), composite video and associated audio (RCA jacks), and Computer 2 VGA input and associated 3.5 mm audio stereo jack

## Storage and Operating Specifications

<b>Storage</b>	122°F (50°C) maximum storage temperature -40°F (-40°C) minimum storage temperature
<b>Operation</b>	Using standard fan speed, from 0' to 6000' (0 m to 1829 m) 41°F to 95°F (5°C to 35°C) Using high fan speed, from 6000' to 6800' (1829 m to 2073 m) 41°F to 86°F (5°C to 30°C) In Service mode, from 6800' to 9800' (2073 m to 2987 m) 41°F to 86°F (5°C to 30°C)

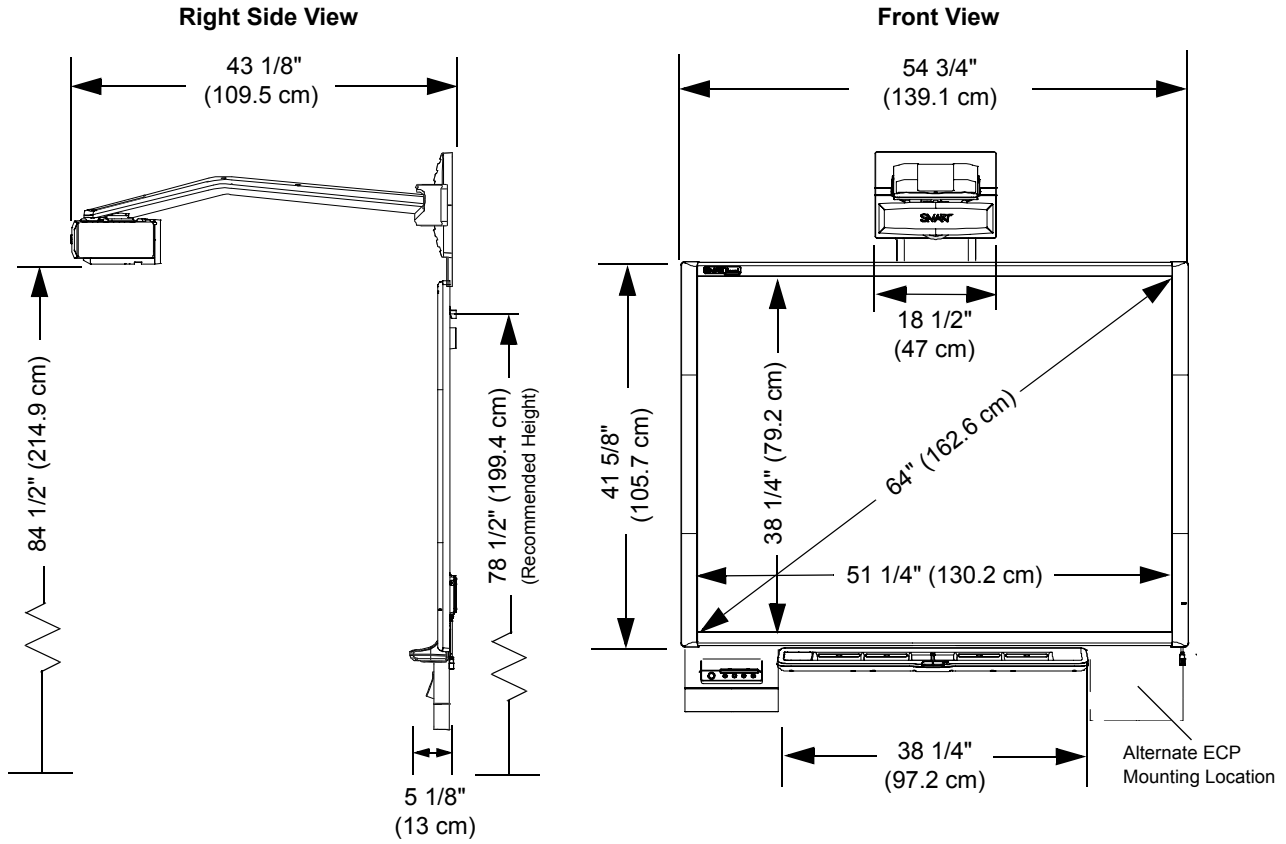
## SMART Order Numbers

<b>SB660i3</b>	64" (162.6 cm) diagonal SMART Board 660 interactive whiteboard with a UF55 projector system
<b>20-01032-20</b>	Replacement projector lamp

## Optional Accessories

<b>RPEN-ER</b>	Replacement set of four pen tray pens (black, red, blue and green) and a rectangular eraser
<b>RPEN</b>	Replacement set of four pen tray pens (black, red, blue and green)
<b>SBA</b>	USB Audio system for SMART Board 600i interactive whiteboard systems

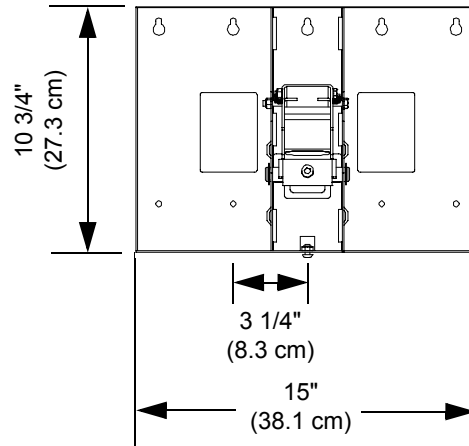
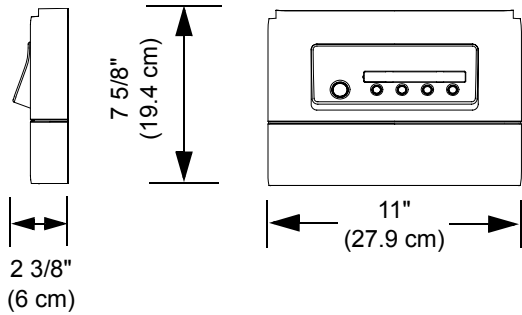
## Physical Dimensions



**ECP Right Side View**

**ECP Front View**

**Projector Mounting Bracket**



[www.smarttech.com/support](http://www.smarttech.com/support) [www.smarttech.com/contactsupport](http://www.smarttech.com/contactsupport)  
 Support +1.403.228.5940 or Toll Free 1.866.518.6791 (U.S./Canada)

