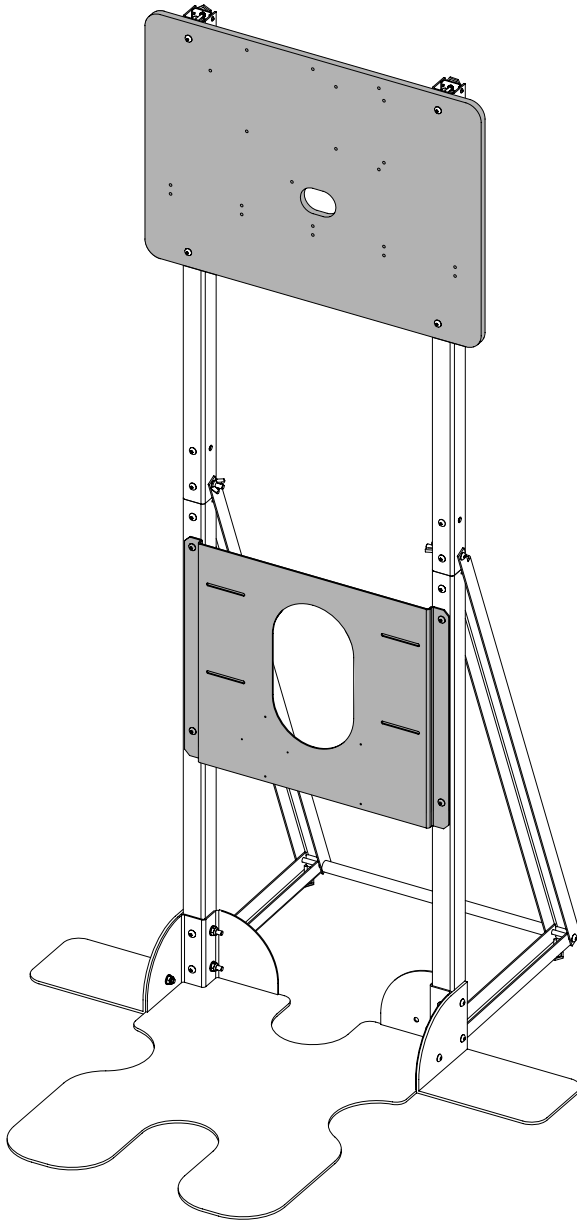
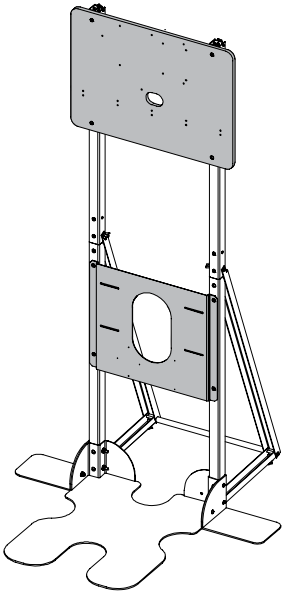


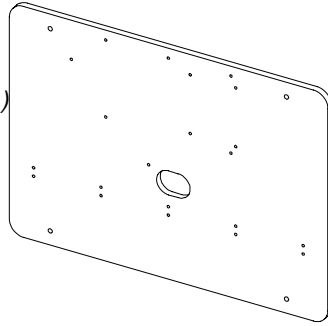
FS600i-RK45



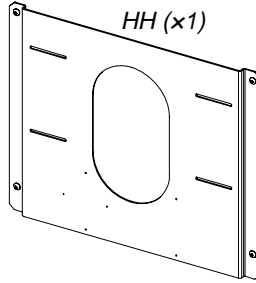
FS600i-RK45



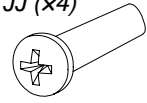
GG (x1)



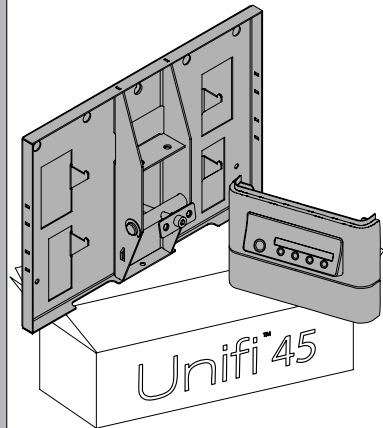
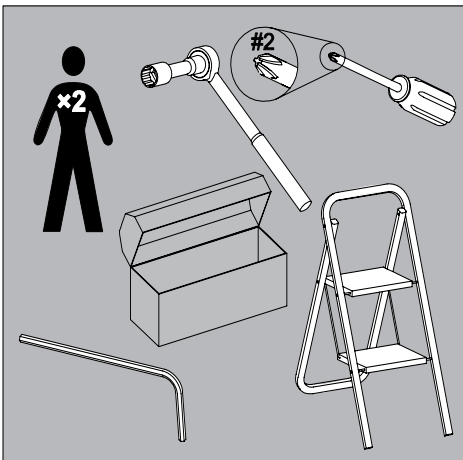
HH (x1)



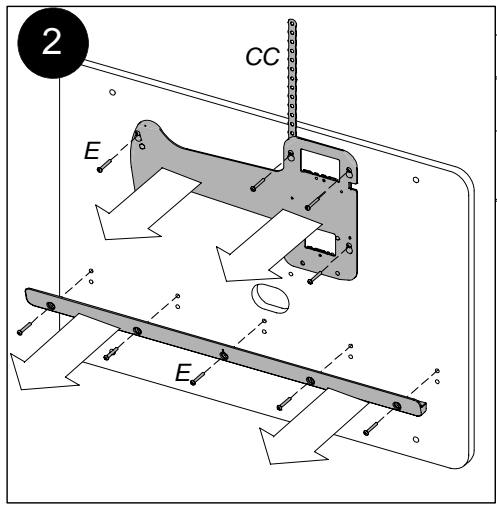
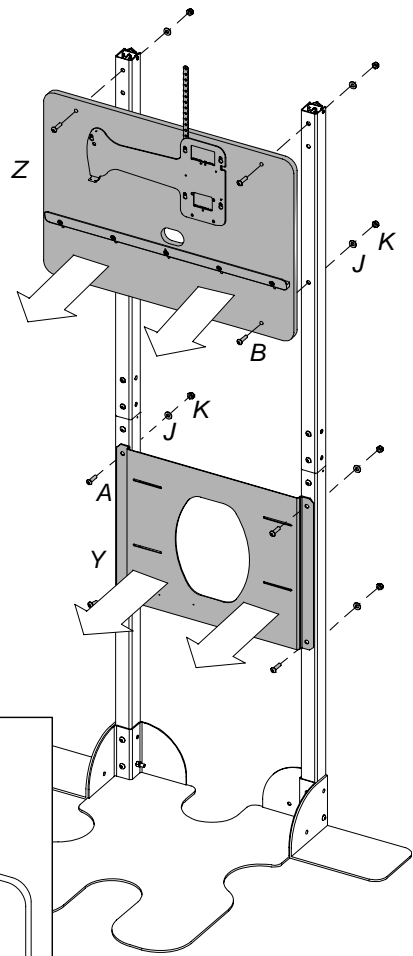
JJ (x4)



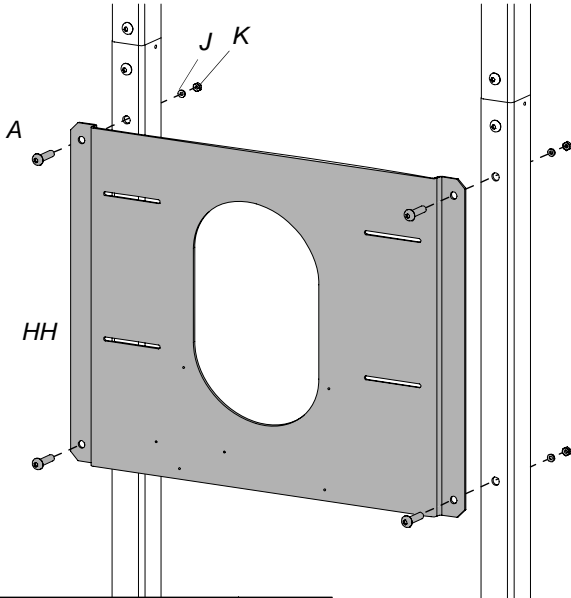
		SMART #
GG	x1	96-00061-21
HH	x1	51-00626-21
JJ	x4	30-00724-20



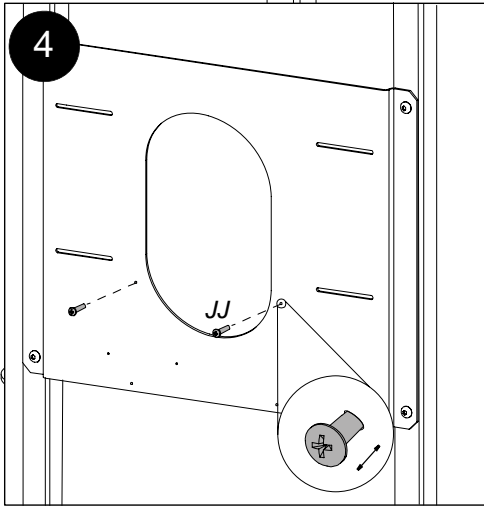
1



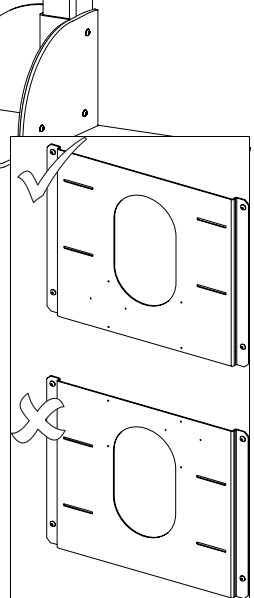
3



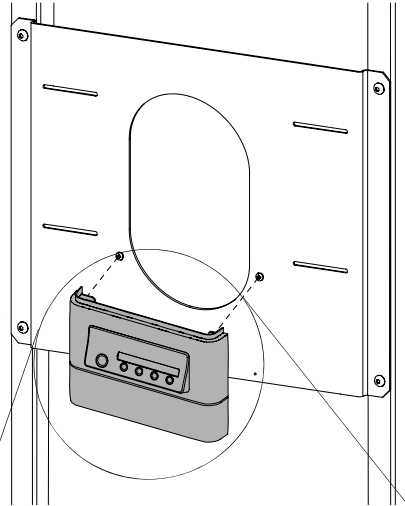
4



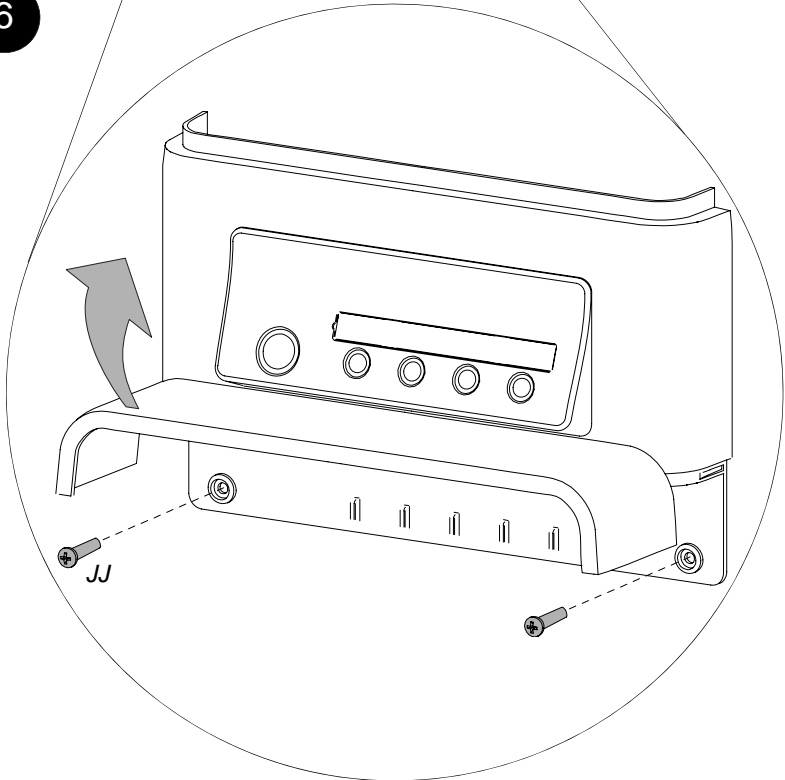
1/4"
(6 mm)

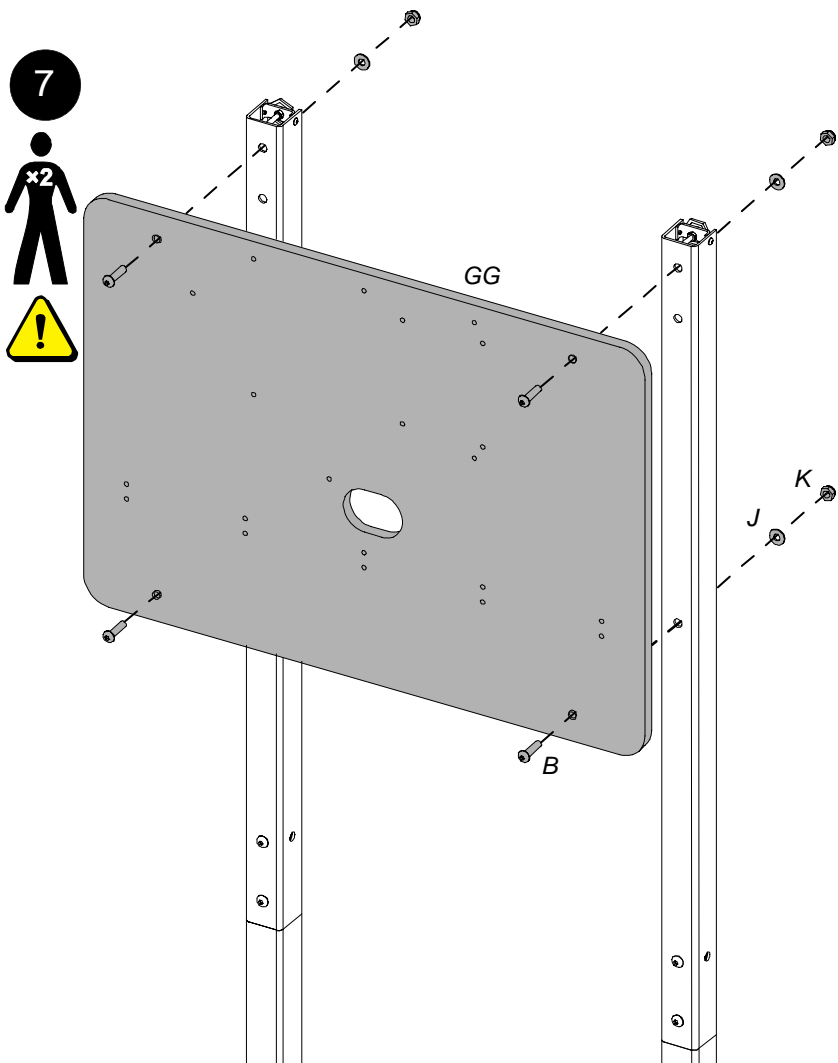


5

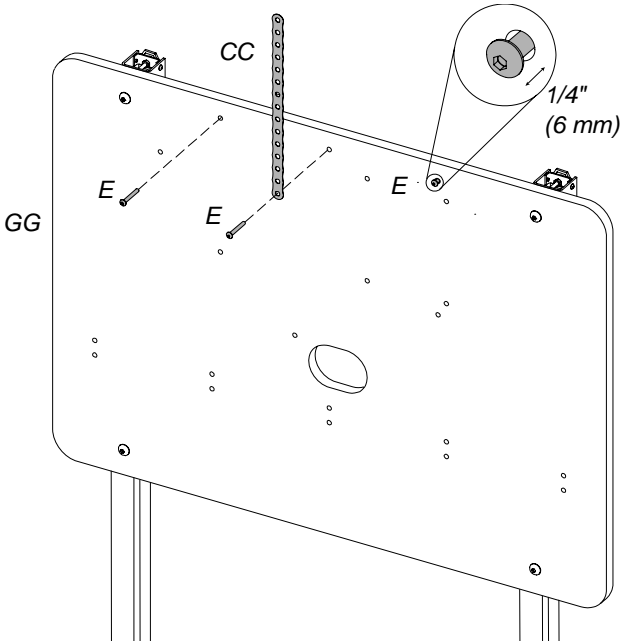


6

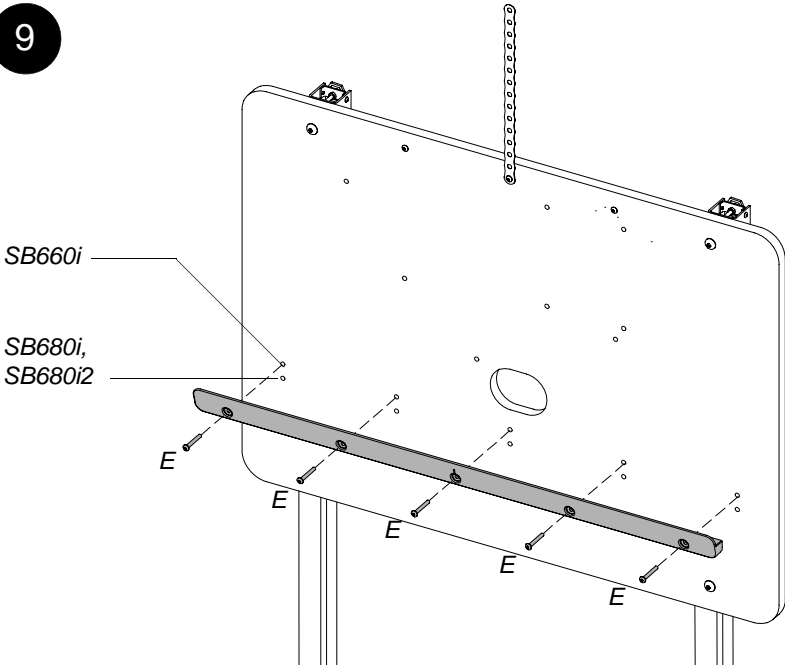




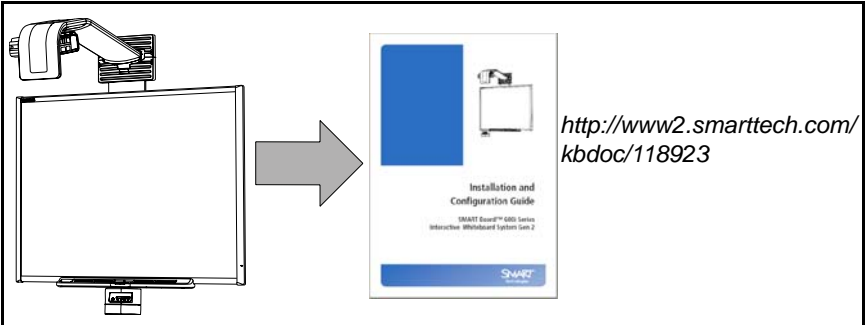
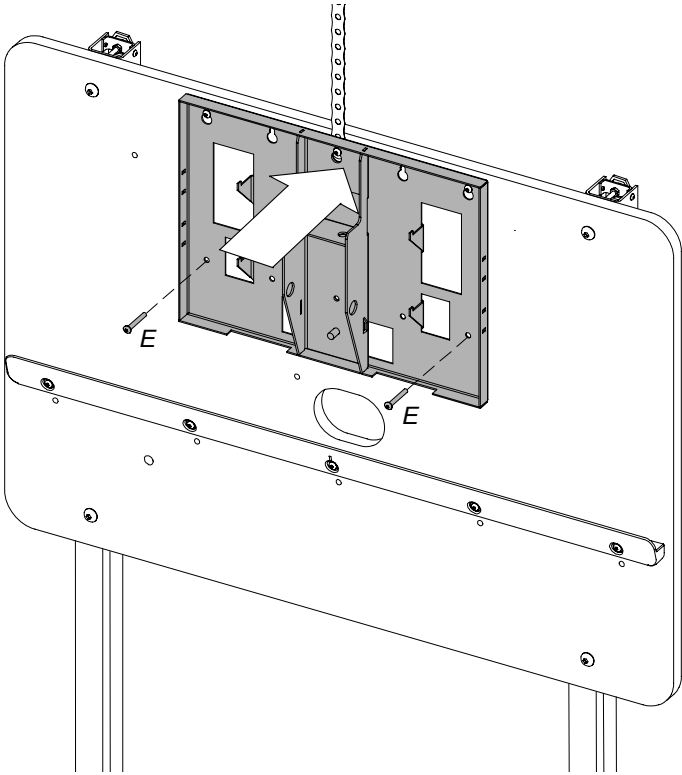
8



9



10



Waste Electrical and Electronic Equipment Regulations

This document contains information about your SMART product and the Waste Electrical and Electronic Equipment (WEEE) regulations that apply to all electrical and electronic equipment within the European Union.

When you dispose of any electrical or electronic equipment, including SMART products, we strongly encourage you to contact your local WEEE recycling agency for recycling and disposal advice.

Your SMART product required the extraction and use of natural resources for its production. It may contain hazardous substances. By disposing of electrical and electronic equipment appropriately, you lower the impact of these substances upon health and the environment and reduce the pressure on natural resources. Recycling agencies can reuse or recycle most of the materials from your product.

Please think about how you intend to dispose of any product that has a WEEE symbol or accompanying WEEE guidelines.



If you need more information on the collection, reuse and recycling of electrical and electronic equipment, please contact your local WEEE recycling agency.

Alternatively, contact your local reseller or SMART Technologies for information on the environmental performance of our products.

SMART Technologies

1207 – 11 Avenue SW, Suite 300
Calgary, AB T3C 0M5
CANADA



www.smarttech.com/support www.smarttech.com/contactsupport
Support +1.403.228.5940 or Toll Free 1.866.518.6791 (Canada/U.S.)

© 2008 SMART Technologies ULC. All rights reserved. Unifi, SMART Board, the SMART logo and smarttech are trademarks or registered trademarks of SMART Technologies ULC in the U.S. and/or other countries. Patents US5448263; US6141000; US6326954; US6337681; US6540366; US6741267; US6747636; US7151533; US7289113; US7283126 and CA2058219. Other patents pending. Contents are subject to change without notice. 03/2008.

99-00848-20 B0