

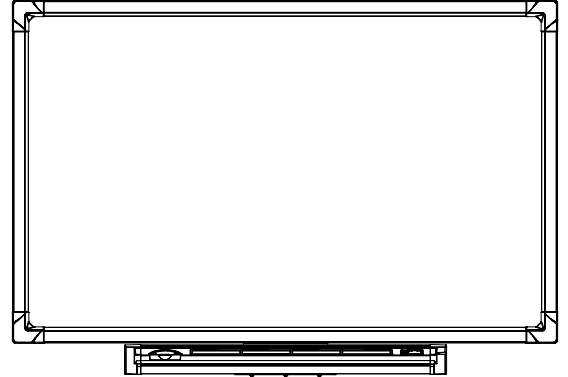
# SMART Board™ for Flat-Panel Displays Interactive Whiteboard

## Specifications – Model PA358 for TH-58PH10 Plasma Displays

**NOTE:** For a complete list of supported flat panels, visit [www.smarttech.com/products/overlay/specs.asp](http://www.smarttech.com/products/overlay/specs.asp).

### Physical Specifications

<b>Interactive Whiteboard</b>	63 1/4" W × 40 1/4" H × 2 3/8" D (160.7 cm × 102.2 cm × 6.0 cm)
<b>Pen Tray</b>	3 5/8" (9.2 cm) added to the interactive whiteboard's height 2" (5.1 cm) added to the interactive whiteboard's depth
<b>Weight</b>	64 lb. (29.0 kg)
<b>Shipping Size</b>	
1 unit	71" W × 56" H × 21" D (180.3 cm × 142.2 cm × 53.3 cm)
2 units on pallet	71" W × 62" H × 43" D (180.3 cm × 157.5 cm × 109.2 cm)
<b>Shipping Weight</b>	
1 unit	140 lb. (63.6 kg)
2 units on pallet	300 lb. (136.4 kg)



All dimensions +/- 1/8" (0.3 cm). All weights +/- 2 lb. (0.9 kg).

### Standard Features

<b>Software</b>	SMART Notebook software included. See the <a href="#">SMART Notebook software specifications</a> for a complete list of system requirements. Software upgrades are available at <a href="http://www2.smarttech.com/st/en-US/Support/SBS/">www2.smarttech.com/st/en-US/Support/SBS/</a> .
<b>Pen Tray</b>	Optical sensors in the pen tray detect when a pen or eraser is lifted from the tray. LED indicators show the active tool. Includes four pen tray pens (black, blue, red and green) and an eraser. The pen tray connects to the interactive whiteboard with a modular cable, and connects to a computer with a 21' 6" (6.5 m) USB/serial adapter cable. The USB/serial adapter cable has a DB9F connector at one end and a USB connector at the other. An optional serial cable is available.  <b>NOTE:</b> To order the interactive whiteboard without the pen tray, add "NP" to the end of the model number. The pen tray is then replaced by an electronic controller that fastens behind the overlay.
<b>Mounting Brackets</b>	Four mounting brackets secure the interactive whiteboard to the plasma display with eight No. 8-32 thumbscrews.
<b>Front Surface Material</b>	Hard-coated, anti-glare polyester designed for optimal light transmission. Chemical and scratch resistant.
<b>Digitizing Technology</b>	DViT™ (Digital Vision Touch) technology uses digital cameras to track an object interacting with the display surface.
<b>Plasma Display Connection</b>	Serial cable included for plasma display control—10' (3.1 m), DB9F-to-DB9F (not available for some models)
<b>Power Requirements</b>	Switching power supply, 100V–250V AC, 47 Hz–63 Hz, 12V DC, 4.2A, 6' (1.8 m) power cord
<b>Power Consumption</b>	Power consumption is up to 40 W.
<b>Certifications and Compliance</b>	CE, WEEE, RoHS (Europe), RoHS (China)

## Specifications - Model PN358 for TH-58PH10 Plasma Displays

<b>Warranty</b>	Two-year limited equipment warranty
<b>Installation Notes</b>	You can install the interactive whiteboard on a plasma display that is securely mounted to a wall or floor stand. However, because of stability and mechanical fit issues, table stands are never to be used. You cannot attach speakers directly to the sides of an plasma display when an interactive whiteboard is installed.

---

### Storage and Operating Specifications

<b>Storage</b>	-40°F to 95°F (-40°C to 35°C)
<b>Operation</b>	41°F to 95°F (5°C to 35°C) with up to 80% humidity non-condensing

---

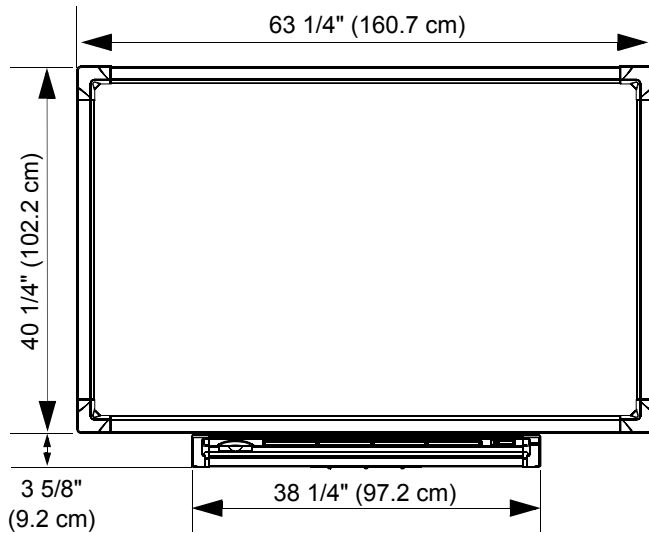
### SMART Order Number

<b>PA358</b>	Interactive whiteboard for Panasonic TH-58PH10 plasma displays
<b>PA358NP</b>	Overlay without pen tray for Panasonic TH-58PH10 plasma displays
<b>93-00360</b>	Optional 20' (6.1 m) straight-through DB9F-to-DB9F serial cable for systems that don't support USB connections. Must be ordered separately.

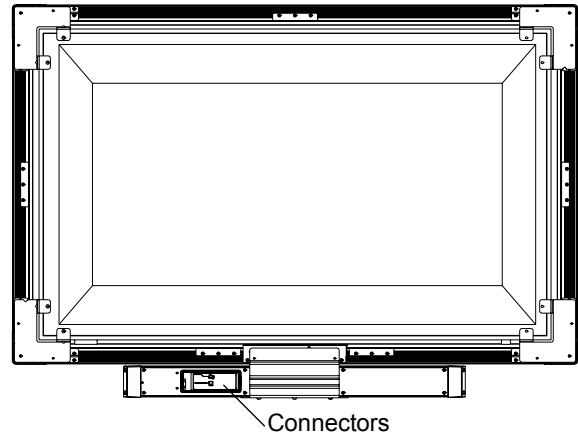
# Specifications - Model PN358 for TH-58PH10 Plasma Displays

All dimensions +/- 1/8" (0.3 cm)

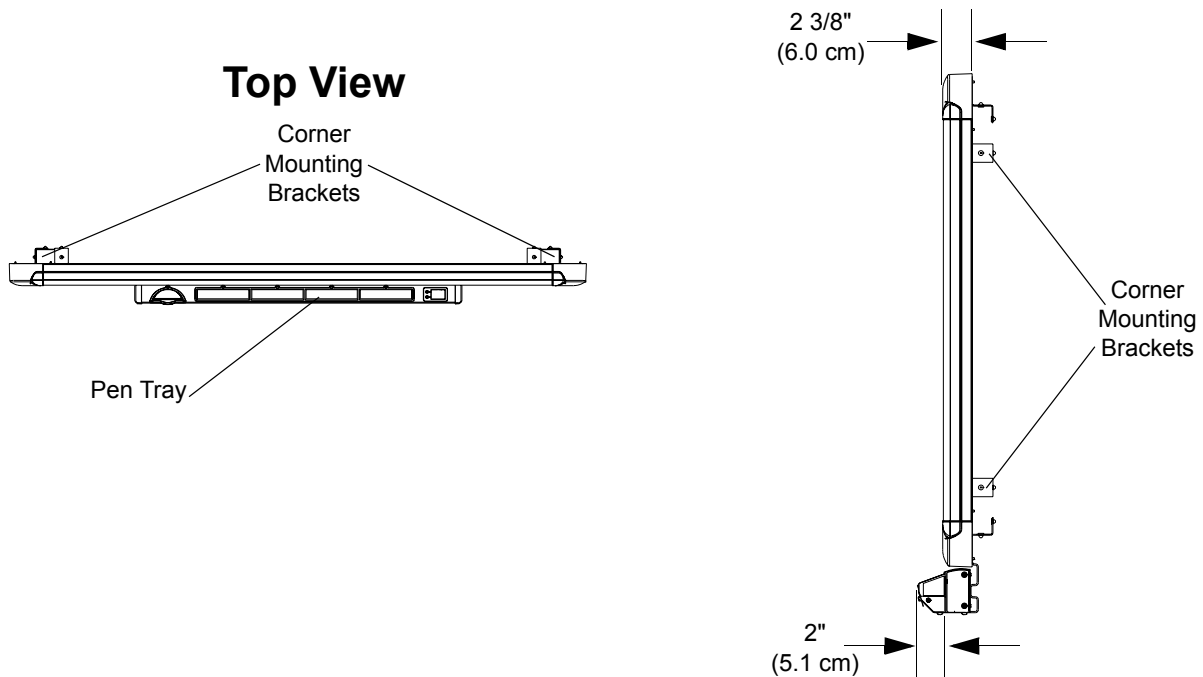
## Front View



## Back View



## Side View



[www.smarttech.com/support](http://www.smarttech.com/support) [www.smarttech.com/contactsupport](http://www.smarttech.com/contactsupport)  
Support +1.403.228.5940 or Toll Free 1.866.518.6791 (U.S./Canada)

© 2008 SMART Technologies ULC. All rights reserved. The SMART logo, SMART Board and smarttech are trademarks or registered trademarks of SMART Technologies ULC in the U.S. and/or other countries. All other third-party product and company names may be trademarks of their respective owners. Patent No. US5448263; US6141000; US6320597; US6326954; US6337681; US6741267; US6747636; US6803906; US6919880; US6947032; US6954197; US6972401; US7151533; US7184030; US7236162; CA2058219; CA2453873; EP1297488; ES2279823; ZL0181236.0; and DE60124549. Other patents pending. Contents are subject to change without notice. 08/2008

**SMART**  
Technologies