

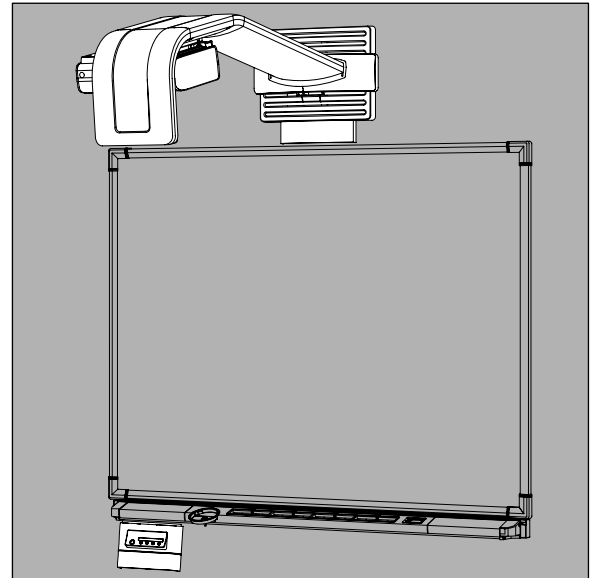
Unifi™ 45 Projector Retrofit Kit for SMART Board™ 580 Interactive Whiteboards

Specifications – UF45-580

Physical Specifications

Unifi™ 45 Projector System

Total Size	18 1/2" W x 15 1/2" H x 43 7/8" D (47 cm x 39.4 cm x 111.4 cm)
Extended Control Panel	11" W x 7 5/8" H x 2 3/8" D (27.9 cm x 19.4 cm x 6 cm)
Remote Control	1 3/4" W x 1 1/4" H x 4 1/4" D (4.4 cm x 3.2 cm x 10.8 cm)
Weight	32 lb. (14.5 kg)
Shipping Size	
Accessory Box	53 1/8" W x 14 3/4" H x 14 1/8" D (134.9 cm x 37.5 cm x 35.9 cm)
Projector Box	17 1/2" W x 14 1/2" H x 10 3/4" D (44.5 cm x 36.8 cm x 27.3 cm)
Shipping Weight	51 lb. 8 oz. (23.4 kg)



NOTE: The UF45-580 projector retrofit converts your SMART Board 580 interactive whiteboard to a complete interactive whiteboard system. The UF45-580 doesn't include a SMART Board 500 series interactive whiteboard. See the SMART Board [580](#) interactive whiteboard specifications for interactive product sizes and weights.

All dimensions +/- 1/8" (3.2 mm). All weights +/- 2 lb. (0.9 kg).

Standard Features

Certifications and Compliance	CSA (U.S./Canada), CE, FCC, RoHS (China), RoHS (Europe), WEEE, VCCI (Japan), C-Tick (Australia).
Warranty	The projector and extended control panel (ECP) have a three-year limited equipment warranty. The Unifi 45 projector lamp has a 500 hour/90 day warranty.
Cables	Includes the necessary cables to connect the projector to the extended control panel. However, you must supply the appropriate input cables for your personal computer and devices.

Unifi 45 Projector System Features

System Components	Unifi 45 projector, boom mount with a limit strap (including a controlled-collapse feature), extended control panel (ECP), remote control and all necessary input cables from the ECP to the projector
Image Adjustment	The mounting boom includes five mechanical adjustments for aligning the projector image with your SMART Board interactive whiteboard. The projector also has a focus lever and a digital on-screen menu for brightness, contrast and other image-related attributes.
Display Type	True XGA 1024 x 768 projector
Display Technology	The projection engine uses DLP® technology by Texas Instruments®, providing brilliant color performance and quality Gamma 2.2 correction with High Brightness, Standard, and True Color modes.

Specifications – UF45-580

Brightness	Estimated at 2000 lumens (typical) at a CCT of 6500 K by the IEC method
Lamp Life	2000 hours (High Brightness mode) or 3000 hours (Standard mode)
Aspect Ratio	4:3 native, with support for 16:9, 16:10 and 4:5 ratios
Contrast Ratio	2000:1
Video System Compatibility	NTSC, NTSC 4.43, PAL, PAL60, PAL-B, PAL-N, PAL-M, SECAM
Video Interface Compatibility	Composite, S-video and VESA RGB, with additional interface support for Component YPbPr and Component YCbCR inputs with the proper adapters (not included)
Video Format Compatibility	QVGA, VGA, SVGA, XGA, SXGA, SXGA+, UXGA
Synchronization	Auto image synchronization (auto tracking, frequency, position adjustment, source detect and phase detect)
Mounting Hardware	Hardware is included for mounting the Unifi projector and the ECP to framed and solid walls. A safety tether and limit strap are included.
Input/Output Connections	Two HD DB15F connectors – RGB video input from computer and/or ECP via VGA connectors HD DB15F connector – video output 4-pin mini-DIN connector – S-video input One pair of audio jacks (RCA, stereo) reserved for use with S-video Composite video connector – RCA-style video input One pair of audio jacks (RCA, stereo) reserved for use with composite video 3.5 mm stereo jack – audio input with dual signal analog mixer 3.5 mm stereo jack – audio output to connect speakers DB9M – serial (RS-232) for power and communication to the ECP
Projector Noise	33 dBA (High mode) or 28 dBA (Standard mode)
Power Requirements	100V AC to 240V AC, at 50 Hz to 60 Hz
Power Switch	Master power control switch
Power Cable	One 14' 9" (4.5 m) power cable included
External Control	The RS-232 connector is configured to accept control codes from your computer or a room control system.
Power Consumption	470 W to 504 W maximum. 5 W (estimated) in Standby mode.
Remote Control	Provides an alternate method of controlling the Unifi 45 projector settings.
Theft Protection	The Unifi 45 projector system features optional security screws on the projector plate and an optional padlocked ring to safeguard the adjustment knob. The projector won't function when the padlocked ring is removed from the system because the projector is designed to operate only when it's attached to the boom.

Extended Control Panel (ECP) Features

Input/Output Connections

HD DB15F connector – RGB video from computer
HD DB15F connector – RGB video to projector
DB9F – serial (RS-232) computer or room control connection
DB25M – provides input signals and control signals to the projector
4-pin mini-DIN connector – S-video input
One pair of audio jacks (RCA, stereo) reserved for S-video
Composite video connector – RCA-style video input
One pair of audio jacks (RCA, stereo) reserved for composite video
3.5 mm stereo jack – audio input

Input Selection Buttons

Provide control for the following input types: S-video and associated audio (RCA jacks), composite video and associated audio (RCA jacks), and Computer 2 VGA input and associated 3.5 mm audio stereo jack

Storage and Operating Specifications

Storage

122°F (50°C) maximum storage temperature
-40°F (-40°C) minimum storage temperature

Operation

From 0' to 6000' (0 m to 1829 m) 41°F to 95°F (5°C to 35°C)
From 6000' to 9800' (1829 m to 2987 m) 41°F to 86°F (5°C to 30°C)

SMART Order Numbers

UF45-580

Unifi 45 projector retrofit kit for SMART Board 580 interactive whiteboards

01-00247

Replacement SB-20 projector lamp

Optional Accessories

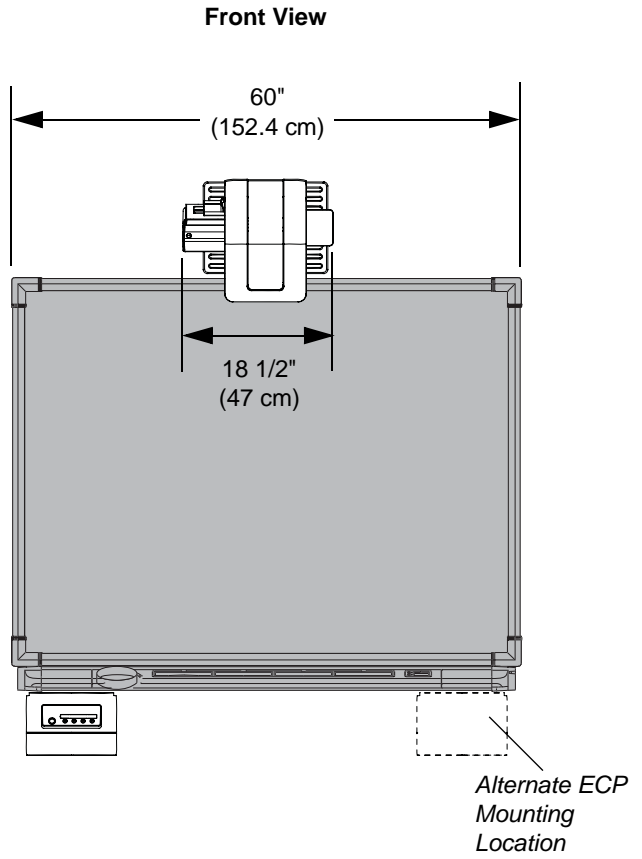
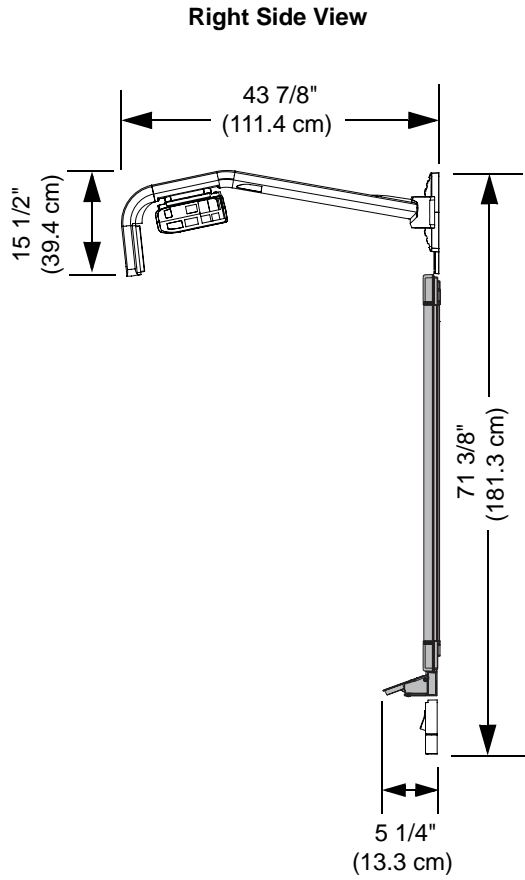
RPEN

Replacement set of four pen tray pens (black, red, blue and green)

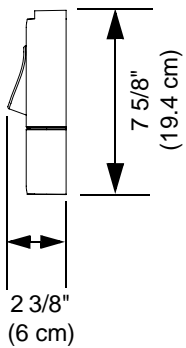
ERA-003

Replacement eraser and eraser barrier

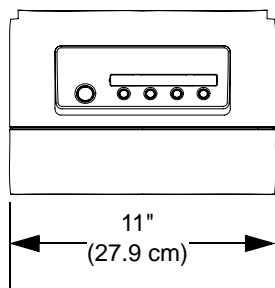
Physical Dimensions



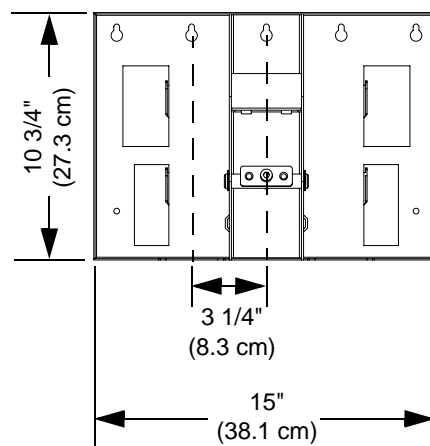
ECP Right Side View



ECP Front View



Projector Mounting Bracket



All dimensions +/- 1/8"

www.smarttech.com/support www.smarttech.com/contactsupport
 Support +1.403.228-5940 or Toll Free 1.866.518.6791 (U.S./Canada)

© 2008 SMART Technologies ULC. All rights reserved. SMART Board, Unifi, smarttech and the SMART logo are trademarks of SMART Technologies ULC in the US and/or other countries. All other third-party product and company names may be trademarks of their respective owners. Patent No. US5448263; US6141000; US6326954; US6337681; US6540366; US6741267; US6747636; US7151533; US7289113; US7283126 and CA2058219. Other patents pending. Contents subject to change without notice. 06/2008.

