

# Connecting SMART's USB Audio System Speakers Directly to Your Unifi™ 45 Projector



**Applies to:** SMART Board™ 600i2 interactive whiteboard systems, and SMART Board 560, 580, 660 and 680 interactive whiteboards with a Unifi™ 45 projector

## Issue

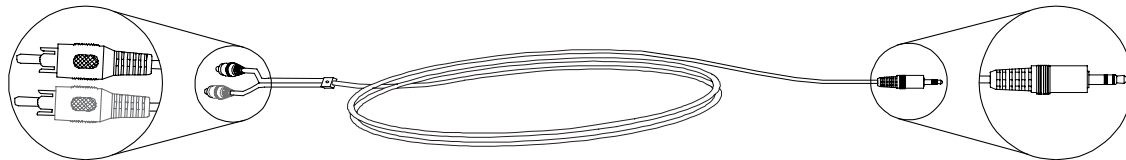
The connection cable that comes with your SMART USB Audio system speakers has plugs that are incompatible with your Unifi 45 projector audio receptacles.

## Solution

SMART's USB Audio speakers are designed to connect to your computer through a USB connection. If you need multiple sound inputs for additional peripherals, such as a DVD player or VCR, the USB connection won't be able to support them if the peripherals aren't connected to your computer. Your Unifi 45 projector does not have a USB receptacle to connect your speaker directly. However, you can connect the speakers directly to your projector with a third-party RCA (male) to 3.5 mm (male) audio cable.

### To connect your SMART Board Audio USB speakers to your Unifi 45 projector

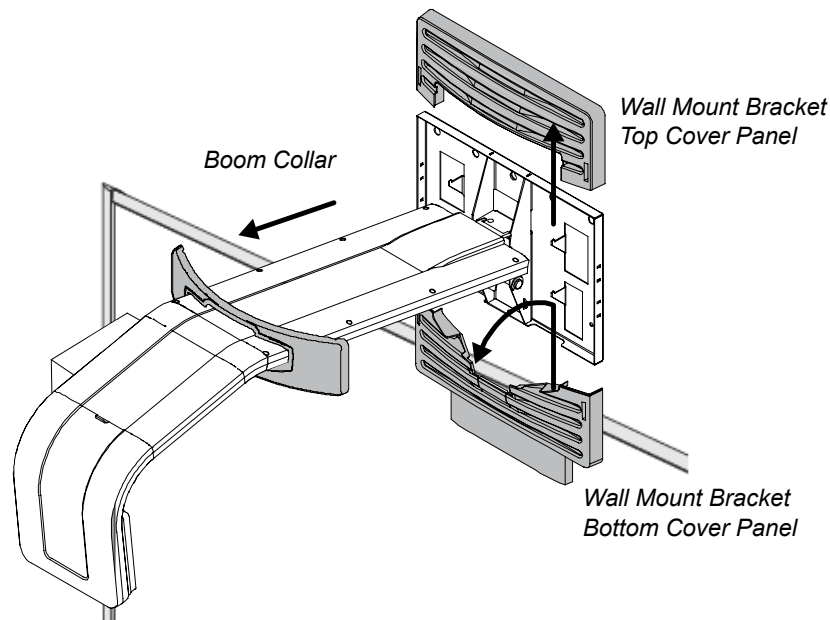
1. Purchase an RCA (male) to 3.5 mm (male) cable from your SMART Board reseller or an audio supply store.



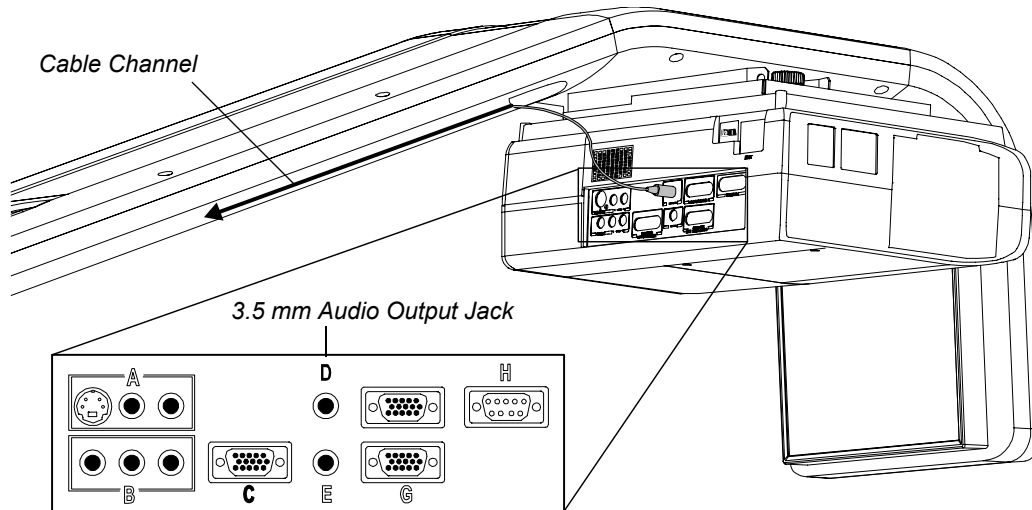
**IMPORTANT** You will require an audio cable with a minimum length of 108" (274.3 cm). Depending on your installation, you may require a longer cable. When measuring the length of cable include the length from the speaker to the wall mounting bracket, the cable channel and some additional length for slack.



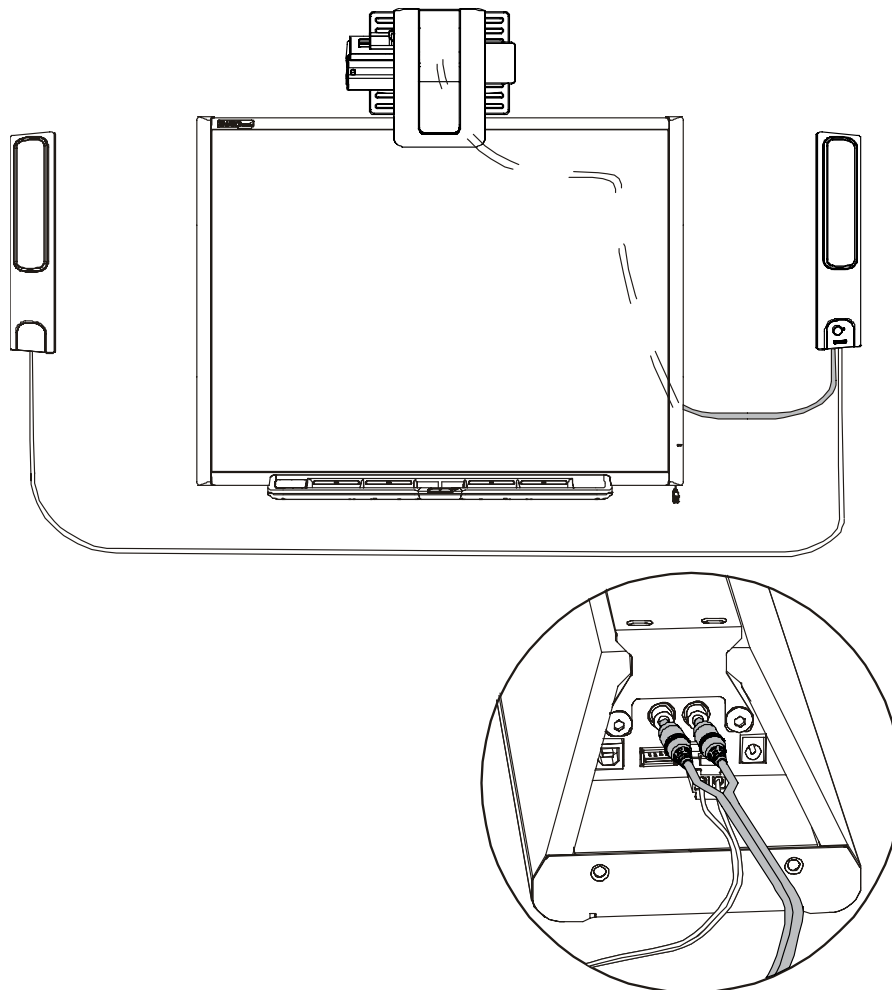
2. Move the Unifi projector's boom collar away from the cover panels on the wall mount bracket, along the cable channel.



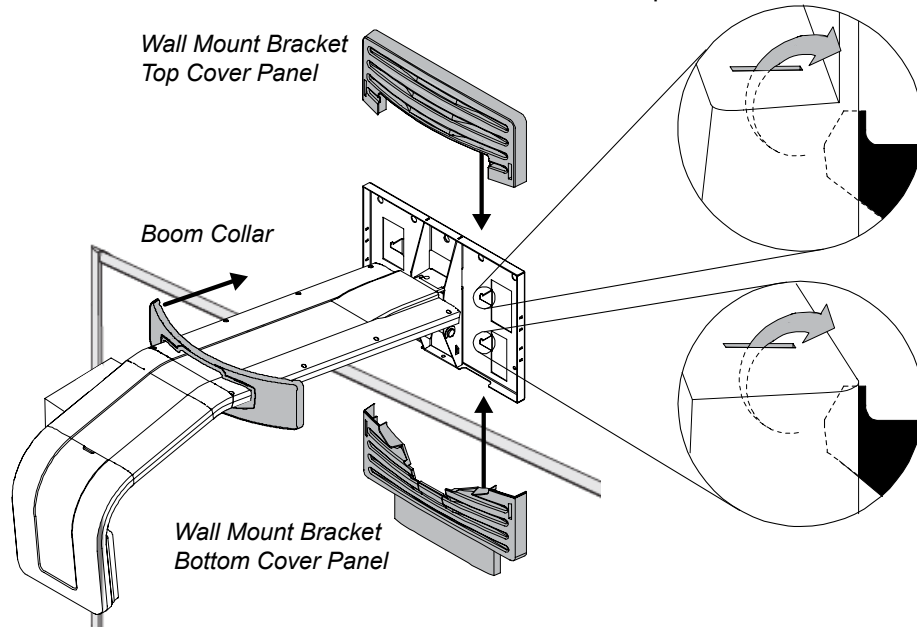
3. Push upwards to remove the top cover panel on the wall mount bracket and then push upwards to remove the bottom cover panel. Keep both cover panels in a safe place.
4. On your Unifi projector, locate the audio output jack. Attach the 3.5 mm plug from your cable.



5. Place the audio cable through the cable channel located on the projector boom.
6. Connect the cable's RCA plugs to the bottom side of the SMART Board Audio USB speakers.



7. On your Unifi 45 projector, reattach the bottom cover, and then the top cover to the wall mount bracket. Move the boom collar towards the wall until it makes contact with the cover panels.



8. Do not attach the USB speakers' cable to the USB port on your computer. Instead, connect your computer and audio-visual peripherals using the instructions found in your [SMART Board 600i2 Interactive Whiteboard System Configuration and User's Guide](#), or [Unifi 45 Projector Retrofit Kit for SMART Board 500 Series Interactive Whiteboards Configuration and User's Guide](#), under the section titled *Connecting Your Interactive Whiteboard System*.

**NOTE:** If you are installing your Unifi 45 projector and SMART Board interactive whiteboard on a Height Adjustable Wall Mount for SMART Board 600i and 600i2 Interactive Whiteboard Systems (HAWM-600i2), you must attach the USB speakers to the wall and not to the SMART Board interactive whiteboard. Attaching the USB speakers to the board will unbalance the HAWM-600i2, and affect its operation.

**First Published:** August 6th, 2008

**Last Updated:** August 6th, 2008

[www.smarttech.com/support](http://www.smarttech.com/support) [www.smarttech.com/contactsupport](http://www.smarttech.com/contactsupport)  
Support +1.403.228.5940 or Toll Free 1.866.518.6791 (U.S./Canada)

© 2008 SMART Technologies ULC. All rights reserved. The SMART logo, SMART Board, Unifi and smarttech are trademarks or registered trademarks of SMART Technologies ULC in the U.S. and/or other countries. All other third-party product and company names may be trademarks of their respective owners. Patents US5448263; US6141000; US6326954; US6337681; US6540366; US6741267; US6747636; US7151533; US7289113; US7283126 and CA2058219. Other patents pending. Contents are subject to change without notice. 08/2008.

**SMART**  
Technologies