

Cable Setup for the SMART Hub SE240, the Unifi™ 45 Projector and the SMART Board™ 680 Interactive Whiteboard

Applies to: The SMART Hub SE240, the Unifi™ 45 projector and the SMART Board™ 680 interactive whiteboard

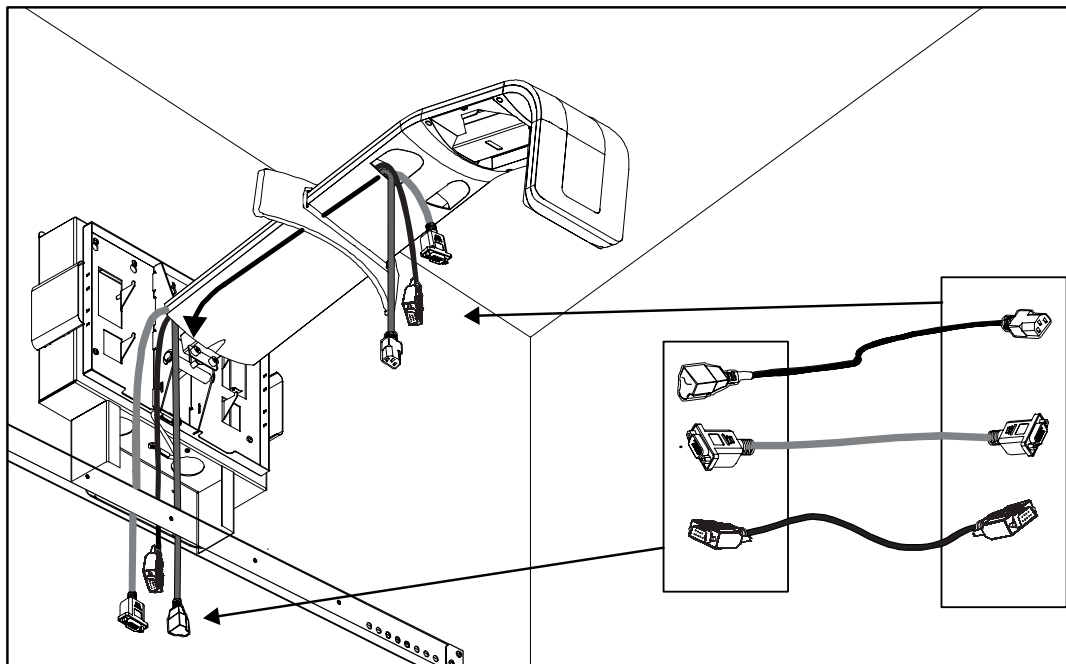
Overview

This document helps identify and resolve issues that may occur with your cable setup. This document provides a setup procedure for cabling between the SMART Hub, the projector, the interactive whiteboard and an optional third computer.

Details

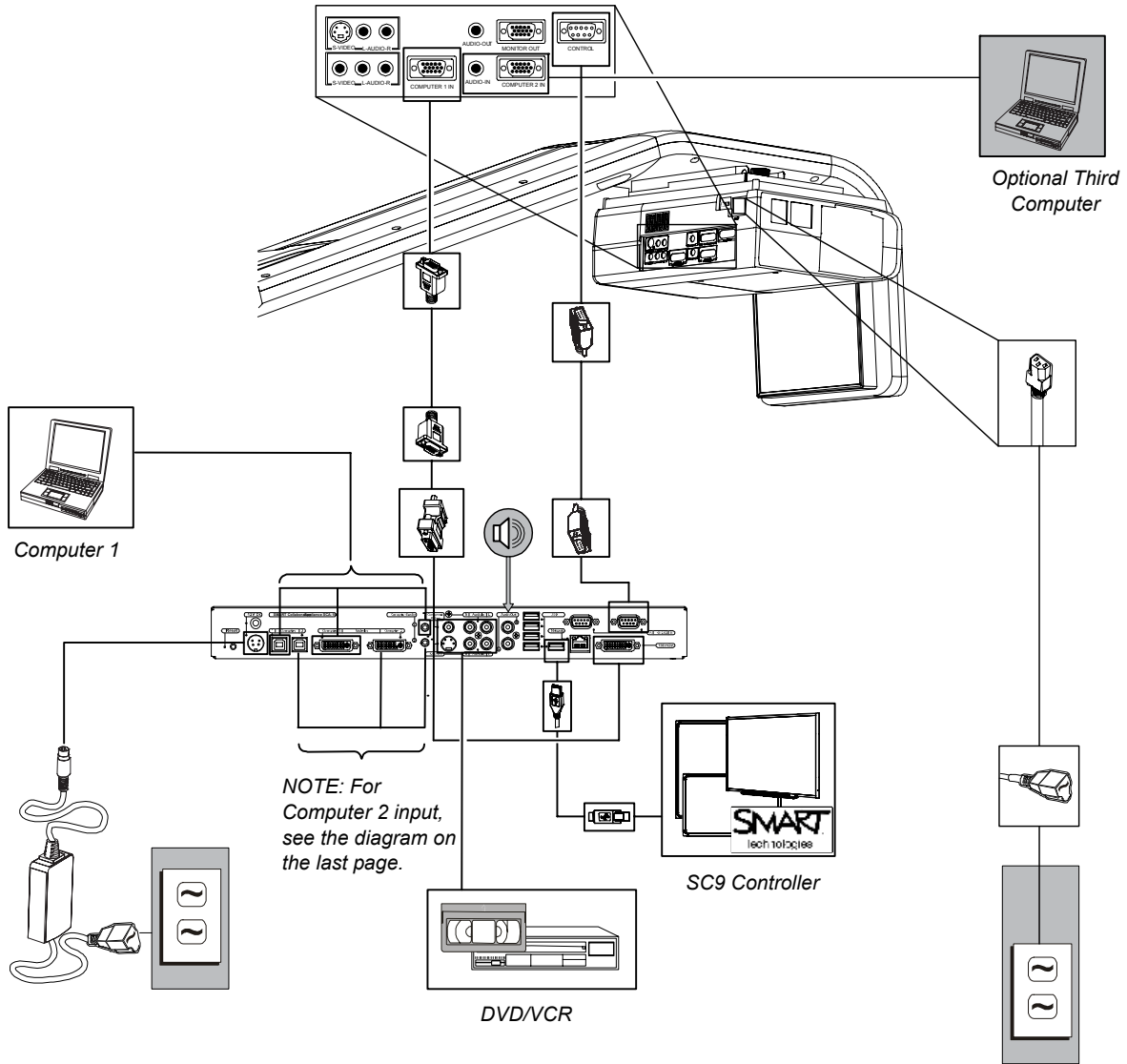
To install the Unifi 45 projector cables through the boom

Pass the VGA, RS-232 and power cables down through the projector boom, out the boom's lower end and through the interactive whiteboard's frame (see diagram below).



To connect your projector to your SMART Hub

1. Connect the projector cables to the SMART Hub (see diagram below).



2. Connect the SMART Hub's DVI Out cable to the projector's COMPUTER 1 IN input, using the DVI to VGA converter.
3. Connect the projector's CONTROL jack (male end) to the SMART Hub's RS-232 jack (male end), using a serial cable with two female ends.

To connect your SMART Hub cables

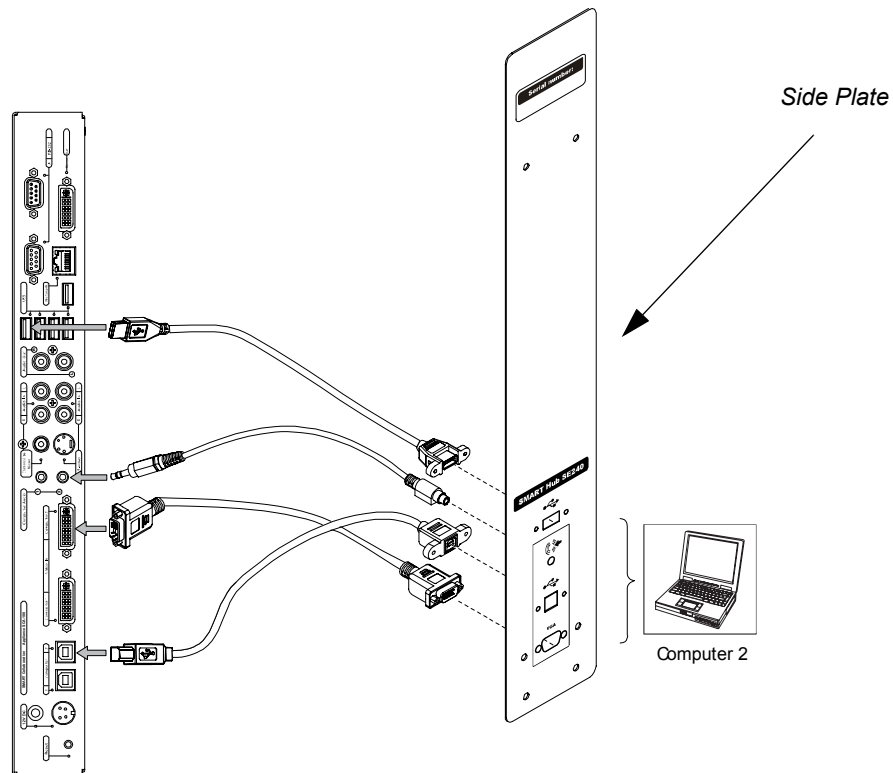
1. Connect the 12V DC input to the wall outlet, using a 12V, 5.0A power supply cable.
2. Connect Computer 1's (external PC or Mac) VGA cable, 3.5 mm audio cable and USB B cable to the SMART Hub's Computer 1 IN input, Computer Audio input and USB B receptacle 1, respectively.

NOTES

- Audio Out and Audio In on the SMART Hub allow for sound through external speakers and computers.
 - You can use the USB A input to connect to other USB devices, such as a mouse or a keyboard.
 - Optional: You can use either Composite Video and composite audio cables and inputs or S-video and audio cables and inputs to connect an external VCR or DVD player.
3. If you want to play sound with external speakers, connect your RCA cable (not provided) to the Audio OUT jack of the SMART Hub. This procedure is not necessary to complete the installation.
 4. Connect the 16 foot USB cable (supplied with the SMART Board 680 interactive whiteboard) from the SMART Hub's USB A plug to the USB B receptacle that hangs off of the right side of the interactive whiteboard.
 5. Connect your Cat 5 cable (not provided) from your SMART Hub to your network's LAN input. This procedure is not necessary to complete the installation.

To connect your SMART Hub to a second Computer (guest laptop) through the side plate

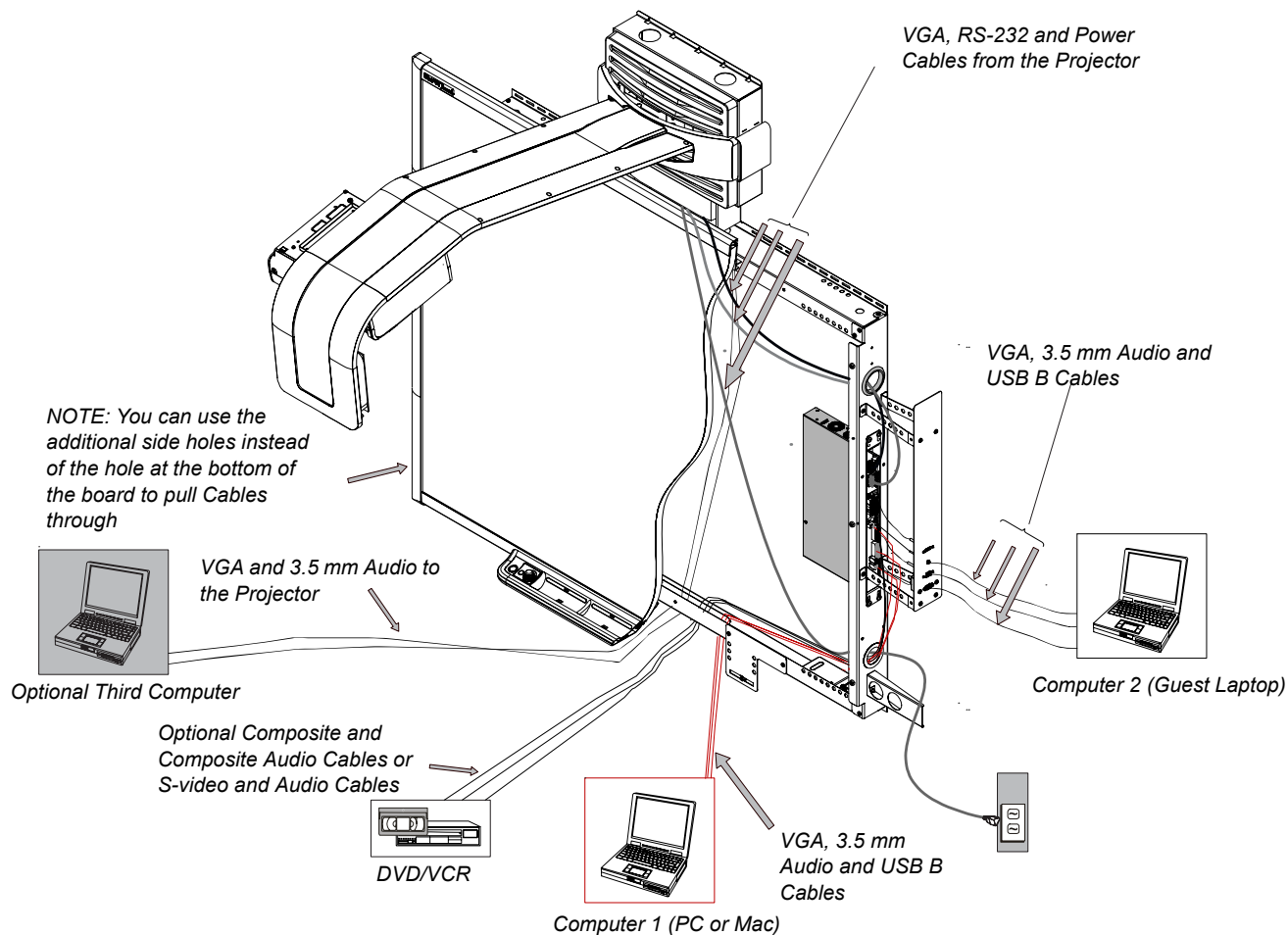
1. Connect the 3.5 mm audio cable from Computer 2's Audio OUT jack to the 3.5 mm audio input on the side plate.
2. Connect Computer 2's VGA cable to the VGA input on the side plate.
3. Connect Computer 2's USB cable to the USB B receptacle on the side plate.
4. Optional: Connect your external flash drive to the USB A receptacle on the side plate.



To connect an optional third computer to the Unifi 45 projector

To directly connect an optional third computer to the Unifi 45 projector

1. Connect the third computer's VGA cable to the projector's Computer 2 IN input.
2. Connect the third computer's 3.5 mm audio cable to the projector's Audio IN input.



First Published: October 24, 2008

www.smarttech.com/support www.smarttech.com/contactsupport
 Support +1.403.228.5940 or Toll Free 1.866.518.6791 (U.S./Canada)

© 2008 SMART Technologies ULC. All rights reserved. The SMART logo, Unifi and smarttech are trademarks or registered trademarks of SMART Technologies ULC in the U.S. and/or other countries. All other third-party product and company names may be trademarks of their respective owners. Patent No. US5448263; US6141000; US6326954; US6337681; US6540366; US6741267; US6747636; US7151533; US7289113; and CA2058219. Other patents pending. Contents are subject to change without notice. 10/2008.

SMART[™]
 Technologies