

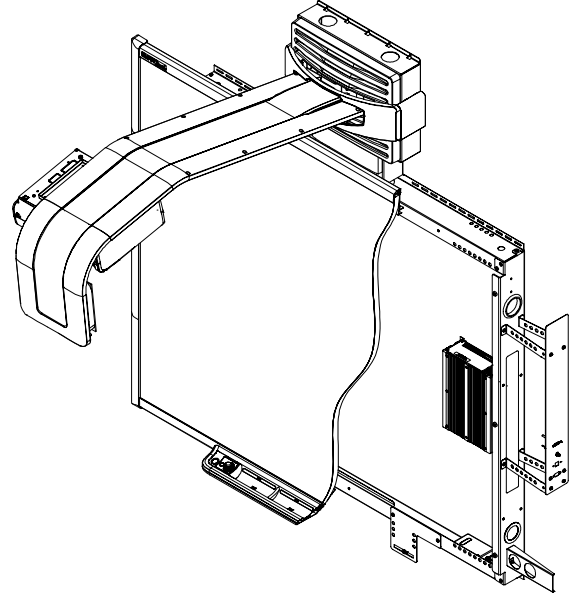
# SMART Hub PE260 with SMART Board™ SB680i2

## Specifications – Model SB680i2-PE260

### Physical Specifications

#### SMART Board™ 680 Interactive Whiteboard

<b>Size</b>	65 1/4" W × 49 1/2" H × 5 1/8" D (165.7 cm × 125.7 cm × 13 cm)
<b>Active Screen Area</b>	61 5/8" W × 46 1/8" H (156.5 cm × 117.2 cm) 77" (195.6 cm) diagonal
<b>Weight</b>	30 lb. (13.6 kg)
<b>Shipping Size</b>	73 1/2" W × 54" H × 5 1/2" D (186.7 cm × 137.2 cm × 14 cm)
<b>Shipping Weight</b>	45 lb. (20.4 kg)



All dimensions +/- 1/8" (0.3 cm). All weights +/- 2 lb. (0.9 kg).

#### Unifi™ 45 Projector System

<b>Size</b>	18 1/2" W × 15 1/2" H × 47 1/4" D (47 cm × 39.4 cm × 120 cm)
<b>Remote Control</b>	1 3/4" W × 1 1/4" H × 4 1/4" D (4.4 cm × 3.2 cm × 10.8 cm)
<b>Weight</b>	32 lb. (14.5 kg)
<b>Shipping Size</b>	53 1/8" W × 14 3/4" H × 14 1/8" D (134.9 cm × 37.5 cm × 35.9 cm)
<b>Accessory Box</b>	
<b>Projector Box</b>	17 1/2" W × 14 1/2" H × 10 3/4" D (44.5 cm × 36.8 cm × 27.3 cm)
<b>Shipping Weight</b>	51 lb. 8 oz. (23.4 kg)

#### SMART Hub PE260

<b>Size</b>	8 5/8" W × 3 3/8" H × 10 9/16" D (21.9 cm × 8.6 cm × 26.8 cm)
<b>Weight</b>	13 lb. 3 oz. (6 kg)
<b>Shipping Size</b>	12 3/16" W × 9 1/16" H × 14 9/16" D (31 cm × 23 cm × 37 cm)
<b>Shipping Weight</b>	15 lb. 4 oz. (7 kg)

#### Wall Mount Frame

<b>Size</b>	63 1/8" W × 65 3/8" H × 4 1/8" D (160.3 cm × 166.1 cm × 10.6 cm)
<b>Weight</b>	30 lb. (13.6 kg)
<b>Shipping Size</b>	17" W × 49" H × 6" D (43.2 cm × 124.5 cm × 15.2 cm)
<b>Shipping Weight</b>	40 lb. (18.1 kg)

## System Features

<b>Mounting</b>	Mount the SMART Hub PE260 to the inside of the wall mount frame behind the SMART Board 680 interactive whiteboard, with access to USB receptacles and the extended hub power switch.
<b>Multiple Boards</b>	Mount and connect up to four SMART Board interactive whiteboard systems.
<b>User Connections</b>	You have easy access to the connections you use most frequently at the side of the wall mount frame: <ul style="list-style-type: none"><li>• extended hub power switch</li><li>• one USB A receptacle</li></ul>
<b>Cables</b>	The SMART Board 680i2 interactive whiteboard system includes the cables you need to connect a Unifi 45 projector to the SMART Hub PE260. Cables for multiple displays aren't included. You can purchase cables that are the appropriate length for your room.
<b>Control Module Features</b>	<ul style="list-style-type: none"><li>• Power button with an illuminated status ring that turns the system on or off</li><li>• Menu button that shows and hides the SMART Hub PE260's on-screen interface</li><li>• Volume control that adjusts the optional audio system's volume</li></ul>
<b>Installation Instructions</b>	The installation instructions for the SMART Board 680 interactive whiteboard, Unifi 45 projector, SMART Hub PE260 and the wall mount frame are included with the wall mount frame.
<b>Total Weight</b>	The combined weight of the wall mount and an interactive whiteboard system is approximately 122 lb. (55.5 kg). Check your local building codes to ensure that your wall can support this weight.

---

## Interactive Whiteboard Features

<b>Pen Tray</b>	Optical sensors in the pen tray detect when you lift a pen or the eraser from the tray. LED lights show the active tool.
<b>Pens and Eraser</b>	A rectangular eraser and black, blue, red and green pens
<b>Resolution</b>	Touch resolution is approximately 4000 × 4000.
<b>Screen Surface</b>	The hard-coated surface is tear proof, optimized for projection, compatible with dry-erase markers and easily cleaned with whiteboard cleaner.
<b>Digitizing Technology</b>	Resistive technology
<b>Frame Finish</b>	Two-tone gray (approximates Pantone® Charcoal Gray 18-0601 TPX) and Ultrasonic Chrome (approximates metallic Pantone 877C)
<b>Wall Mount Bracket</b>	32" (81.3 cm) wide to support a wall-mounted interactive whiteboard
<b>Theft Prevention</b>	The SMART Board 680 interactive whiteboard features a pen tray locking feature and a Kensington® security slot on the pen tray.
<b>Certifications and Compliance</b>	CSA (U.S./Canada), CE, FCC, RoHS (China), RoHS (Europe), WEEE, VCCI (Japan), C-Tick (Australia)
<b>Warranty</b>	Two-year limited equipment warranty or a five-year limited equipment warranty upon registration. See warranty documents for details.

## Unifi 45 Projector System Features

<b>System Components</b>	TDP-SB20 projector, boom mount with a limit strap (including a controlled-collapse feature), control module, remote control and all necessary input cables from the SMART Hub PE260 to a single projector
<b>Image Adjustment</b>	Includes a focus lever and keystone correction
<b>Display Type</b>	True XGA 1024 × 768 projector
<b>Display Technology</b>	The projection engine uses DLP® technology by Texas Instruments™, providing brilliant color performance quality with Bright, Standard and True Color modes.
<b>Brightness</b>	Estimated at 2000 lumens (typical) at a CCT of 6500 K by the IEC method
<b>Lamp Life</b>	2000 hours (High mode) or 3000 hours (Standard mode)
<b>Aspect Ratio</b>	4:3 native, with support for 16:9, 16:10 and 4:5 ratios
<b>Contrast Ratio</b>	2000:1
<b>Video System Compatibility</b>	NTSC, NTSC 4.43, PAL, PAL60, PAL-N, PAL-M, SECAM
<b>Video Interface Compatibility</b>	Composite, S-video, and VESA RGB, with additional interface support for Component YPbPr and Component YCbCr inputs with the proper adapters (not included)
<b>Video Format Compatibility</b>	4:3 native aspect ratio XGA projector resolution. With scaling, VGA, SVGA, SXGA, QuadVGA, SXGA+ and UXGA formats are supported.
<b>Synchronization</b>	Auto image synchronization (auto tracking, frequency, position adjustment, source detect, phase detect)
<b>Projector Noise</b>	33 dBA (High mode) or 28 dBA (Standard mode)
<b>Power Requirements</b>	100V–240V AC, at 50 Hz–60 Hz
<b>Power Switch</b>	Master power control switch
<b>Power Cable</b>	<ul style="list-style-type: none"> <li>• One 14' 9" (4.5 m) power cable</li> <li>• One DB-44 to DB-9 (x4) RS-422 to RS-232 cable</li> </ul>
<b>External Control</b>	The RS-232 connector is configured to accept control codes from a room control system.
<b>Power Consumption</b>	470 W to 504 W maximum, 5 W (estimated) in Standby mode
<b>Remote Control</b>	Provides an alternate method of controlling the Unifi 45 projector settings
<b>Theft Protection</b>	The Unifi 45 projector system features a safety tether on the projector support, optional security screws on the projector plate and an optional padlocked ring to safeguard the adjustment knob. The projector won't function when it's removed from the system because the projector is designed to operate only when it's attached to the boom.
<b>Health and Safety</b>	<p>Two people are required to safely assemble the wall mount frame and install the interactive whiteboard system.</p> <p>A safety tether is included.</p>
<b>Certifications and Compliance</b>	CSA (U.S./Canada), CB, CE, FCC, RoHS (China), RoHS (Europe), WEEE, VCCI (Japan), C-Tick (Australia)
<b>Warranty</b>	The Unifi 45 projector has a three-year limited equipment warranty. The Unifi 45 projector lamp has a 500 hour/90 day warranty. See warranty documents for details.

## SMART Hub PE260 Features

### Software

- Whiteboard for presenting information, writing notes and brainstorming using your SMART Board interactive whiteboard
- SMART Meeting Pro software for hosting and participating in online meetings
- Computer and video source annotation
- Input switching available from the on-screen Welcome Center
- Network features, including SNMP
- Room control support through RS-232 or TELNET
- SMART Board tools, including Screen Shade, Spotlight, Magnifier and SMART Keyboard
- Microsoft® Word, Excel and PowerPoint® viewers
- Support for up to four connected displays and SMART interactive products

**NOTE:** To use two, three or four displays with the SMART Hub PE260, you need to purchase an activation key for a maximum of two or a maximum of four displays.

### Certifications and Compliance

CE, FCC, RoHS (China), RoHS (Europe)

### Warranty

Two-year limited equipment warranty. See warranty documents for details.

### Casing

Heavy-duty aluminum

### Cooling System

- High efficiency cooling system with low system acoustic noise level at room temperature
- Internal fan
- Vents in the front and back

### Mounting Options

Hardware is included for mounting the SMART Hub PE260 to the wall mount frame.

### Power

Onboard:

- 12V–30V DC

External power supply:

- 120 W AC
- Input: 100V–240V AC 2A 50–60 Hz
- Output: 19V DC 6.32A

### Input/Output Connections

Power connectors and status indicators:

- one DC power jack
- one two-pin connector output for remote power switch
- one power button
- six LED indicators (one for power, one for hard disk activity and four for network activity)

External connectors:

- three VGA connectors
- one DVI-I connector
- one DB-44 connector

SMART interactive product and peripheral connectors:

- six USB 2.0 receptacles (two on the front and four on the back)
- two PS/2 connectors (one for a mouse and one for a keyboard)
- two 3.5 mm stereo jacks (one for microphone input and one for speaker output)

Network connectors:

- two RJ45 (100BASE-T) connectors

---

## Wall Mount Frame Features

<b>Mounting Hardware</b>	Hardware is included for mounting the wall mount frame on solid walls made of brick, cinder block or concrete, on metal stud and on wood framed walls. A safety tether and limit strap are included.
<b>Input/Output Connections</b>	Provide convenient user access to turn the SMART Hub PE260 on and off, and provide a connection for a USB storage device
<b>Casing</b>	Dark gray powder-coated steel sheet
<b>Certifications and Compliance</b>	CSA (U.S./Canada), CE, FCC, RoHS (China), RoHS (Europe), WEEE
<b>Warranty</b>	Two-year limited equipment warranty. See warranty documents for details.

---

## Optional Accessories

<b>SBA</b>	SMART USB Speakers
------------	--------------------

---

## SMART Order Number

<b>SB680i2-PE260-01</b>	SMART Hub PE260 with SMART Board SB680i single display
<b>SB680i2-PE260-02</b>	SMART Hub PE260 with SMART Board SB680i dual display
<b>SB680i2-PE260-04</b>	SMART Hub PE260 with SMART Board SB680i quad display

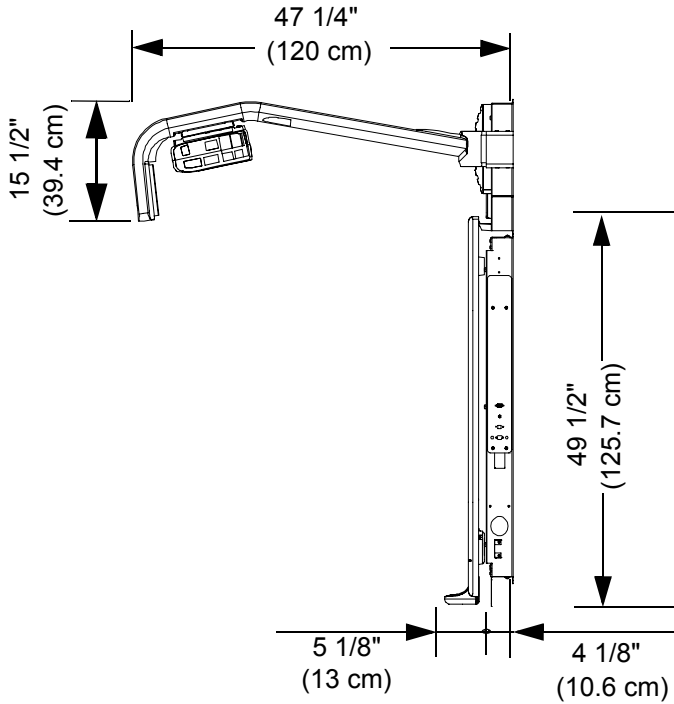
---

## Storage and Operating Specifications

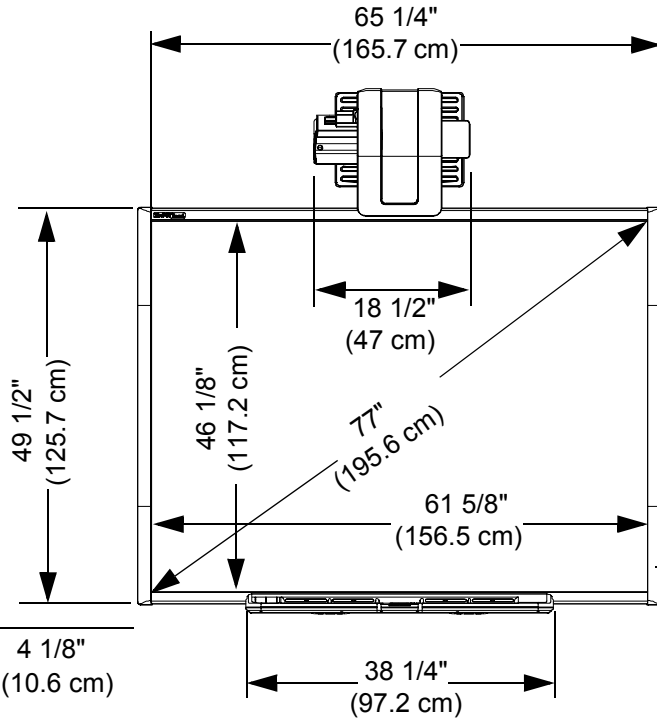
<b>Storage</b>	122°F (50°C) maximum storage temperature -40°F (-40°C) minimum storage temperature
<b>Operating</b>	From 0' to 6000' (0 m to 1829 m) 41°F to 95°F (5°C to 35°C) From 6000' to 9800' (1829 m to 2987 m) 41°F to 86°F (5°C to 30°C)

SMART Hub PE260 with SMART Board SB680i2

Right Side View

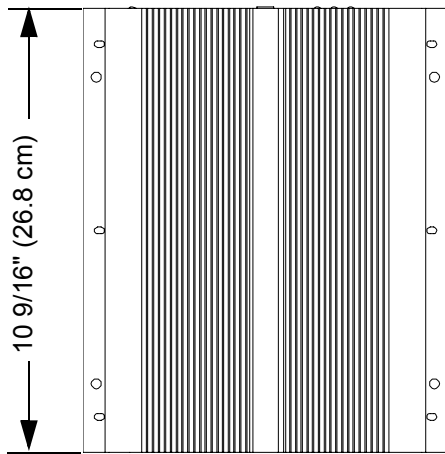


Front View

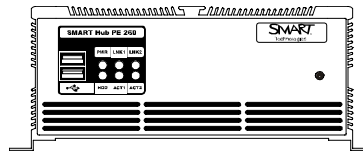


SMART Hub PE260

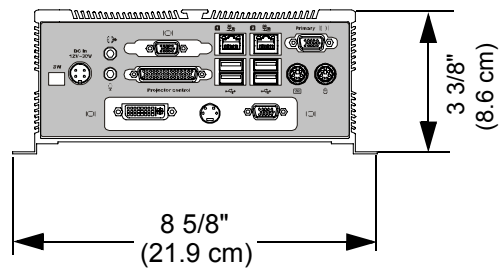
Front View



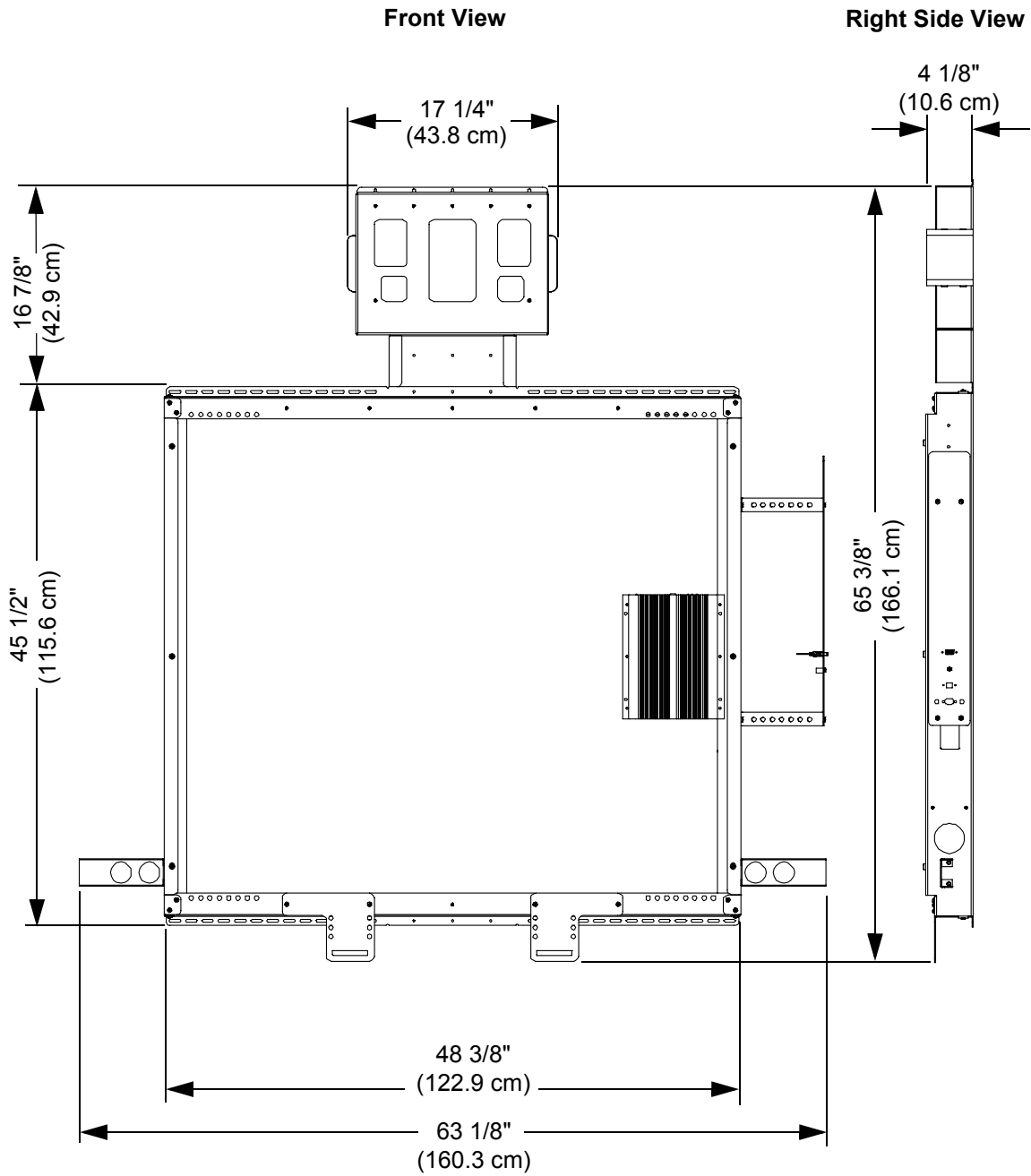
Top View



Bottom View



Wall Mount Frame



[www.smarttech.com/support](http://www.smarttech.com/support) [www.smarttech.com/contactsupport](http://www.smarttech.com/contactsupport)  
 Support +1.403.228-5940 or Toll Free 1.866.518.6791 (U.S./Canada)

© 2008 SMART Technologies ULC. All rights reserved. The SMART logo and smarttech are trademarks or registered trademarks of SMART Technologies ULC in the U.S. and/or other countries. All other third-party product and company names may be trademarks of their respective owners. Patent No. US5448263; US6141000; US6326954; US6337681; US6540366; US6741267; US6747636; US7151533; US7289113; US7283126 and CA2058219  
 Other patents pending. Contents are subject to change without notice. 10/2008.

