

PLEASE THINK BEFORE YOU PRINT

Knowledge Base

Adjusting the Image with the UF55/UF55w Projector

Applies to SMART Board™ 560, 580, 660, 680 and 685 interactive whiteboard systems with a UF55/UF55w projector

Overview

After you install the UF55/UF55w projector with a SMART Board 500 or 600 series interactive whiteboard, you must adjust the image alignment and focus. This document expands on the *SMART Board 600i3 Interactive Whiteboard System Installation Guide* that came with your UF55/UF55w projector.

Details

Adjusting Keystone Alignment

When you use standard projectors, keystone errors occur when the projected image isn't perpendicular to the screen.



From the projector, the image path is shorter along the top.



From the projector, the image path is shorter along the bottom.

Extraordinary made simple™

SMART™

The image appears shorter across the top when the image path's distance from the projector to the top of the screen is shorter than the distance to the bottom of the screen. The image appears shorter across the bottom when the image path's distance from the projector to the bottom of the screen is shorter than the distance to the top of the screen. Vertical keystone errors can occur when you mount the UF55/UF55w projector and the SMART Board 600 series interactive whiteboard on an uneven surface or a wall that has obstructions.

Horizontal keystone errors can occur when you swivel the UF55/UF55w projector too far from the SMART Board 600 series interactive whiteboard's vertical center, when you mount the projector and the interactive whiteboard on an uneven surface, or when the board is slightly closer to the projector on one side than the other.



From the projector, the image path is shorter along the right side.



From the projector, the image path is shorter along the left side.

The image appears shorter across the right side when the distance from the projector to the right of the screen is shorter than the distance to the left of the screen. The image appears shorter across the left side of the image when the distance from the projector to the left of the screen is shorter than the distance to the right of the screen.

Adjust the interactive whiteboard side to side to center the image (from the projector), as illustrated in the installation guide. This eliminates many keystone errors. If your installation environment prevents you from moving the interactive whiteboard, you can adjust the projector boom for optimum image alignment.

i NOTES

- If you move the interactive whiteboard system to a new location, you must realign it.
- If your projector requires service, you must adjust the replacement projector.

⚠ WARNING

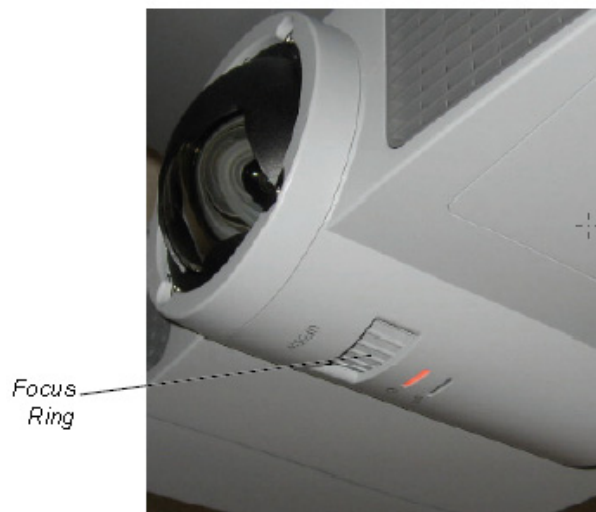
Two people are required to mount the projector and the interactive whiteboard on a wall because they might be too heavy for one person to maneuver onto their wall-mounting brackets.

Focusing the Image

To focus the image, use the Focus Ring, which is located on the bottom of the UF55/UF55w projector (when the projector is facing downward).

To focus and adjust the image

Rotate the Focus Ring lever right or left until the image is clear.



Performing an Image Alignment

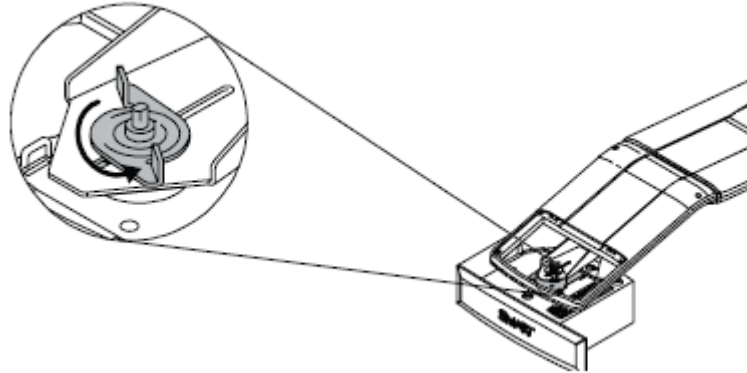
Use this procedure to obtain a rectangular image that is slightly smaller than the interactive whiteboard's screen.

i NOTES

- Project a computer image (set to the proper resolution) while performing the following steps. If you don't have a computer, use the projector's default blue background so that you can see the full projector image clearly.
- We don't recommend adjusting the digital keystone within the projector. Instead use the mechanical adjustment described below.
- Complete the procedures on the preceding pages before performing this alignment procedure.

To align the image

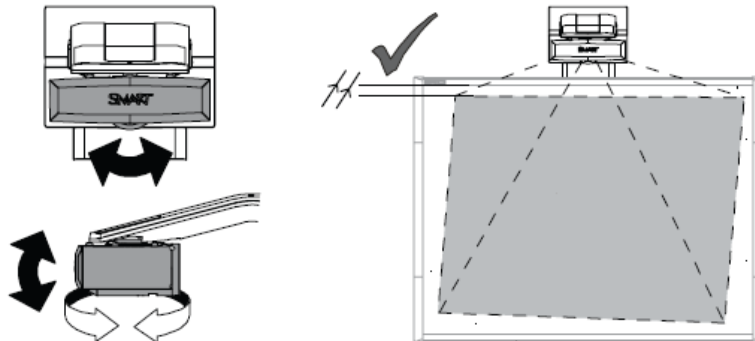
1. Align the top of the projected image so it's parallel with the top edge of the interactive whiteboard's surface.
 - a. Loosen the large wingnut on the top of the ball joint to allow movement of the projector as needed.



i NOTE

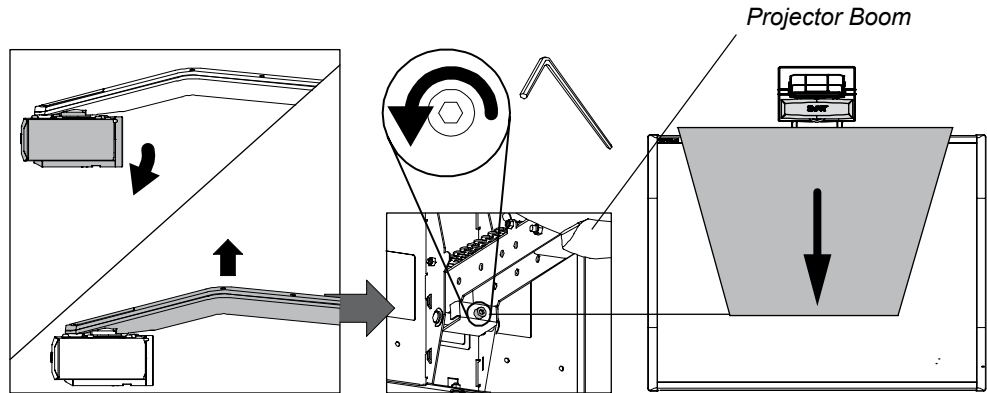
Do not loosen the wingnut too much or the projector will not hold the adjustments.

- b. Tilt the projector left or right until the top edge of the projector image is parallel with the top edge of the interactive whiteboard.



2. Adjust the vertical keystone alignment for the projected image.

- a. If the bottom edge of the projected image is smaller than the top edge of the projected image, and the sides of the projected image slope inward toward the bottom of the projected image, raise the projector's mounting boom to lower the image. Turn the center hex screw at the base of the boom counter-clockwise to raise the boom.

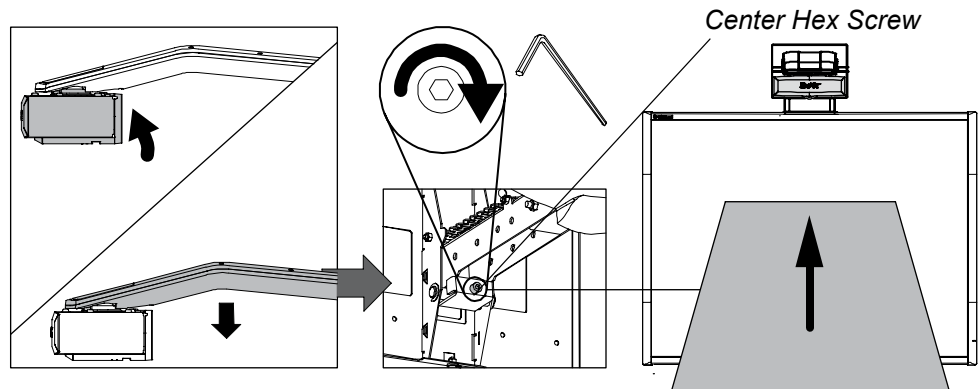


- b. If the bottom edge of the projected image is larger than the top edge of the projected image, and the sides of the projected image slope outwards toward the bottom of the projected image, lower the projector's mounting boom to raise the image. Turn the center hex screw at the base of the boom clockwise to lower the boom and tilt the projector forward and back.



NOTE

The entire projected image may increase slightly in size during this process, more so at the bottom of the projected image than at the top.



6 | **KNOWLEDGE BASE** – ADJUSTING THE IMAGE WITH THE UF55/UF55W PROJECTOR

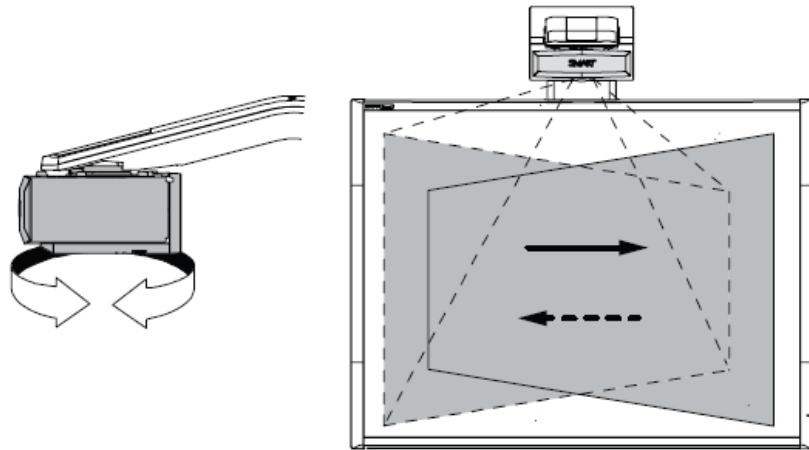
3. Adjust the projected image's horizontal alignment by turning the projector left or right, until the top and bottom edges of the projected image are horizontally parallel.



NOTE

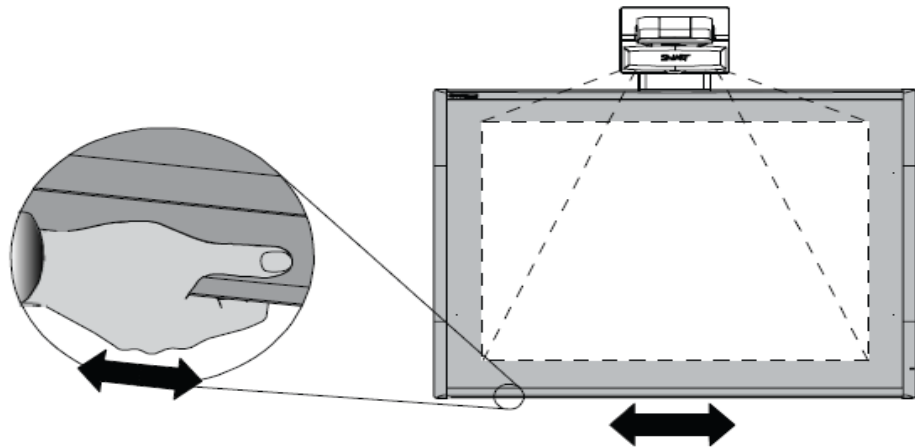
Don't pay attention to the left and right edges during this step.

4. Align the interactive whiteboard with the projected image.



NOTE

Move your SMART Board interactive whiteboard left or right on its mounting bracket to center the interactive whiteboard to the projected image.



5. Adjust the physical size of the projected image to fit the interactive whiteboard.
 - a. Loosen the large wingnut on the top of the ball joint to allow the projector to move backward and forward in the slot.

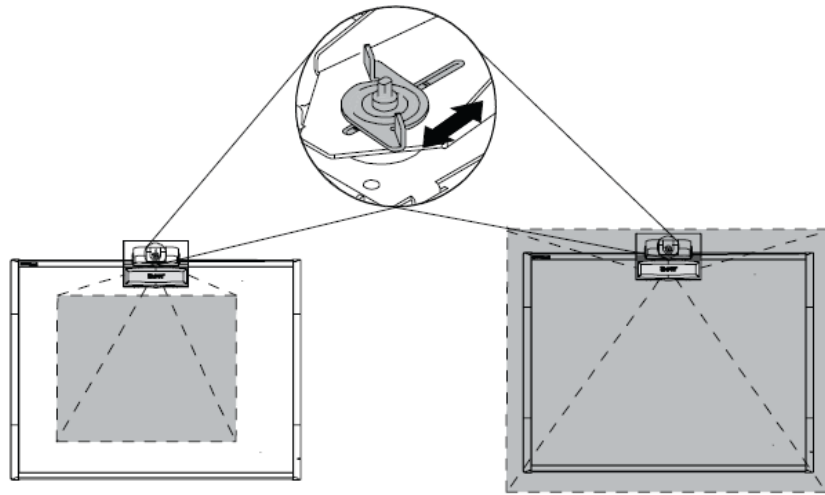
7 | **KNOWLEDGE BASE** – ADJUSTING THE IMAGE WITH THE UF55/UF55W PROJECTOR

- b. Move the projector forward or backward on the boom to make the image larger or smaller.



NOTE

During this step, you may need to tilt or turn the projector slightly to keep the image square.



- 6. Focus the projector using the focus lever (located on the top of the projector).



NOTE

You may need to repeat all steps in smaller increments to fine-tune the image.

- 7. Tighten the large wingnut on the top of the ball joint.

First Published February 17, 2009