

Knowledge Base

Positioning the UF55/ UF55w Projector Mounting Plate

Applies to SMART Board™ 600i3 series interactive whiteboards with a UF55/UF55w projector

Overview

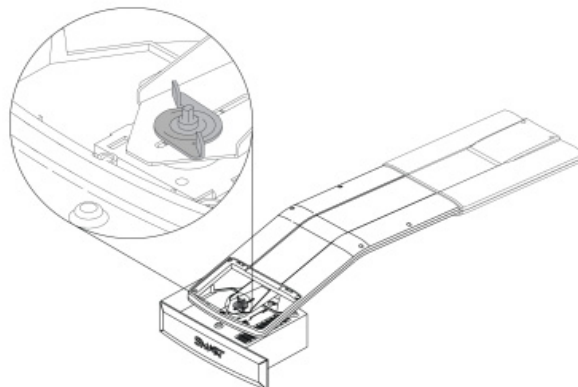
This document describes how to position the projector mounting plate so that the UF55/UF55w projector fits properly on the boom. If you incorrectly install the projector mounting plate, the projector won't mount properly on the boom.

Solution

If the projector mounting plate is in the incorrect position, rotate it to the correct position.

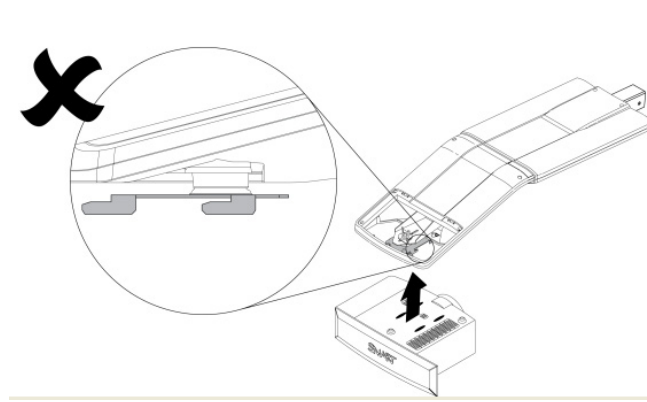
To rotate the projector mounting plate into the correct position

Loosen the large wingnut on the top of the projector mounting plate, rotate the plate to the correct position, and then tighten the wingnut.

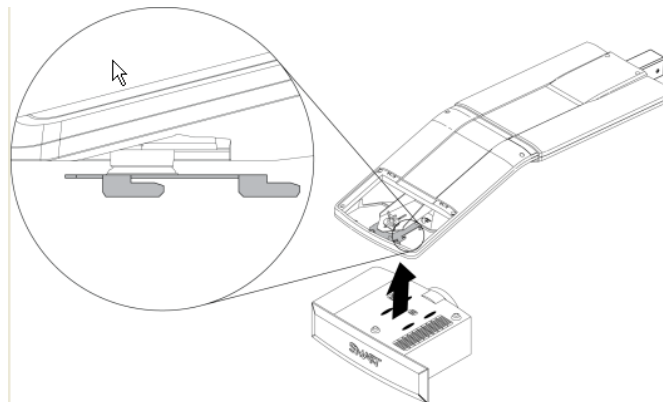


Details

The following is the incorrect position for the projector mounting plate:



The following is the correct position for the projector mounting plate:



First Published February 23, 2009