

**SMART Board™ 600i3, SBD600i3 and 600i2 Series Interactive Whiteboard System Height-Adjustable Wall Mount  
Specifications – Model HAWM-600i3**

**Physical Specifications**

**Size** 25 3/4" W × 65 1/8" H × 7 1/4" D  
(65.4 cm × 165.5 cm × 18.4 cm)

**Weight** 164.2 lb. (74.5 kg)

**Shipping Size (3 boxes)** 65 3/8" W × 7 7/8" H × 27 1/2" D  
(166 cm × 20 cm × 70 cm)

13 3/8" W × 6 1/8" H × 22" D  
(34 cm × 15.5 cm × 56 cm)

7 1/8" W × 6 1/8" H × 18 3/8" D  
(18 cm × 15.5 cm × 46.5 cm)

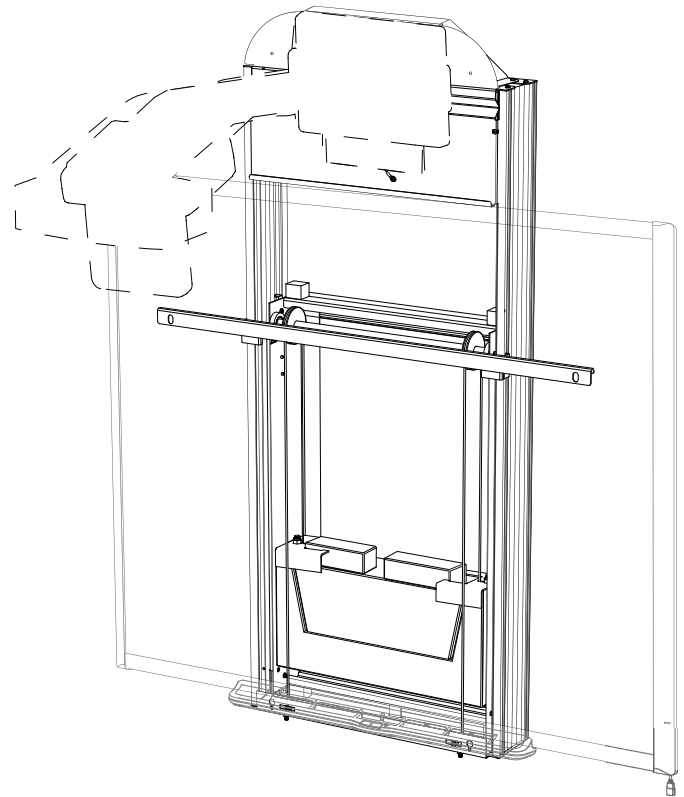
**Shipping Weight (3 boxes)** 73 lb. (33 kg)  
61 lb. (27.7 kg)  
46 lb. (20.9 kg)

**SMART Board 660 Interactive Whiteboard (not included)**

**Size** 54 3/4" W × 41 5/8" H × 5 1/8" D  
(139.1 cm × 105.7 cm × 13 cm)

**SMART Board 680 or SBD680 Interactive Whiteboard (not included)**

**Size** 65 1/4" W × 49 1/2" H × 5 1/8" D  
(165.7 cm × 125.7 cm × 13.0 cm)



All dimensions +/- 1/8" (0.3 cm). All weights +/- 3.3 lb. (1.5 kg).

**NOTE:** See the SMART Board [660i3](#), [680i3](#), [SBD680i3](#), [660i2](#) and [680i2](#) interactive whiteboard system specifications for interactive product order numbers, shipping sizes and weights.

---

## Standard Features

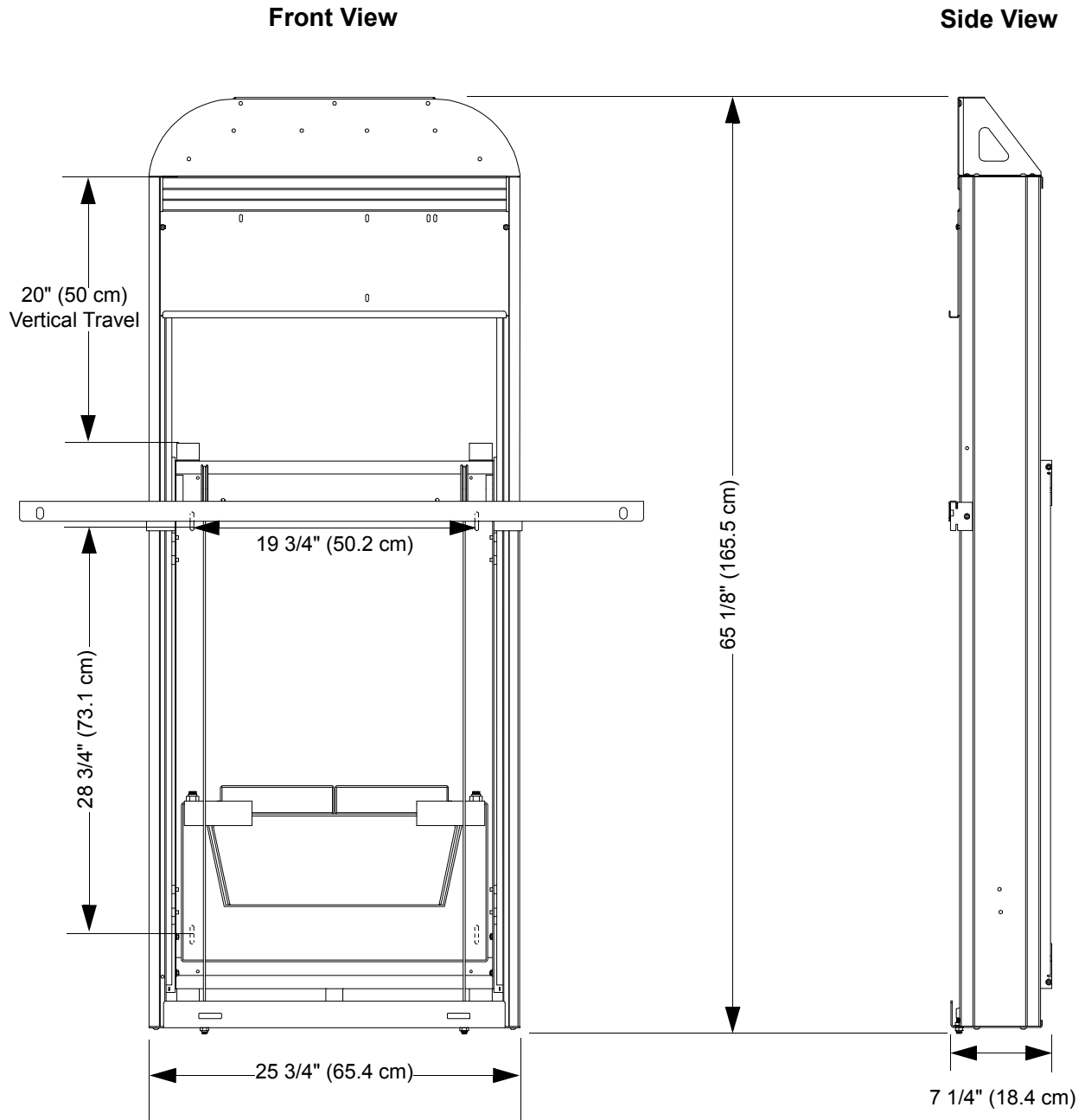
<b>Vertical Travel</b>	20" (50 cm) of vertical travel allows taller and shorter users to raise or lower your interactive whiteboard to a convenient height
<b>Mounting Hardware</b>	Includes mounting hardware for solid walls made of brick, cinder block or concrete
<b>Stud Wall Installation</b>	To mount the unit on metal stud or wood framed walls, you must order the Stud Wall Mounting Kit (Part No. STWL-600i). This kit includes two formed sheet metal brackets, two aluminum mounting brackets and the hardware required to install the unit on metal stud or wood-framed walls.
<b>SB660i3 and SB660i2 Installation</b>	To mount a SMART Board 660i3 or 660i2 interactive whiteboard system on the height-adjustable wall mount, you must order the Adapter Plate Kit (Part No. ADPL-600i). This kit contains mounting hardware and a melamine-coated particleboard plate that covers the counterweight assembly and provides additional weight for balance.
<b>Health and Safety</b>	<p>The sliding mechanism is completely encased in the aluminum frame for safe operation.</p> <p>Two people are required to safely assemble the wall mount and to install the interactive whiteboard system.</p> <p>The combined weight of the wall mount and interactive whiteboard system is approximately 228.1 lb. (103.5 kg). Check your local building codes to ensure that your wall can support this weight.</p>
<b>Security</b>	You can install a padlock (not included) to secure the interactive whiteboard system at its highest position. This ensures that the system is out of reach when not in use.
<b>Certifications and Compliance</b>	CSA, CE, WEEE, EU, RoHS, California RoHS, packaging laws and China's Electronic Information Products Regulations
<b>Warranty</b>	Two-year limited equipment warranty

---

## SMART Order Numbers

<b>HAWM-600i3</b>	Height-Adjustable Wall Mount
<b>STWL-600i</b>	Stud Wall Mounting Kit (includes two formed sheet metal brackets, two aluminum mounting brackets and mounting hardware)
<b>ADPL-600i</b>	Adapter Plate Kit for the SB660i3 and the SB660i2 Height-Adjustable Wall Mount (includes adapter plate and mounting hardware)
<b>SB660i3</b>	SMART Board 660i3 Interactive Whiteboard System (includes a SMART Board 660 interactive whiteboard, integrated with a UF55 projector)
<b>SB680i3</b>	SMART Board 680i3 Interactive Whiteboard System (includes a SMART Board 680 interactive whiteboard, integrated with a UF55 projector)
<b>SBD680i3</b>	SMART Board SBD680i3 interactive whiteboard system (includes a dual-touch SMART Board 680 interactive whiteboard, integrated with a UF55 projector)
<b>SB660i2</b>	SMART Board 660i2 Interactive Whiteboard System (includes a SMART Board 660 interactive whiteboard, integrated with a Unifi™ 45 projector)
<b>SB680i2</b>	SMART Board 680i2 Interactive Whiteboard System (includes a SMART Board 680 interactive whiteboard, integrated with a Unifi 45 projector)

Dimensions



[www.smarttech.com/support](http://www.smarttech.com/support) [www.smarttech.com/contactsupport](http://www.smarttech.com/contactsupport)  
Support +1.403.228-5940 or Toll Free 1.866.518.6791 (U.S./Canada)



© 2007–2009. SMART Technologies ULC. All rights reserved. SMART Board, Unifi, smarttech and the SMART logo are trademarks or registered trademarks of SMART Technologies ULC in the U.S. and/or other countries. Patent No. US5448263; US6141000; US6320597; US6326954; US6337681; US6540366; US6741267; US6747636; US7289113; US7184030; US7151533; US7283126; and CA2058219. Other patents pending. Contents are subject to change without notice. 09/2009.