

SMART Board™ 680/685i3 Interactive Whiteboard System

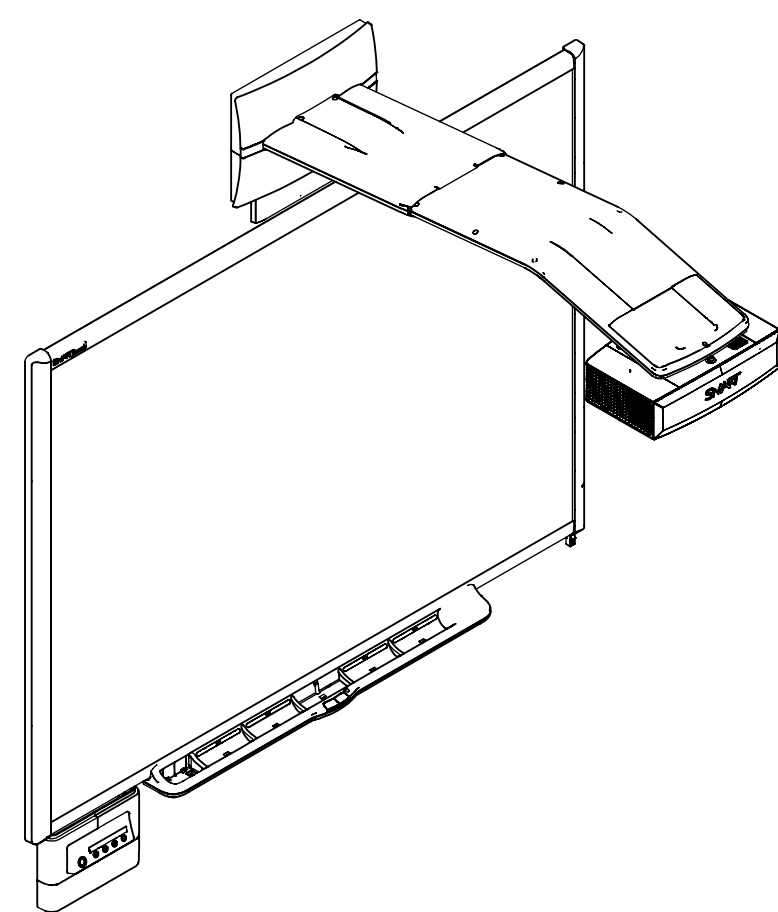
These drawings are for outline and installation purposes only.

All dimensions are given in inches (millimeters).

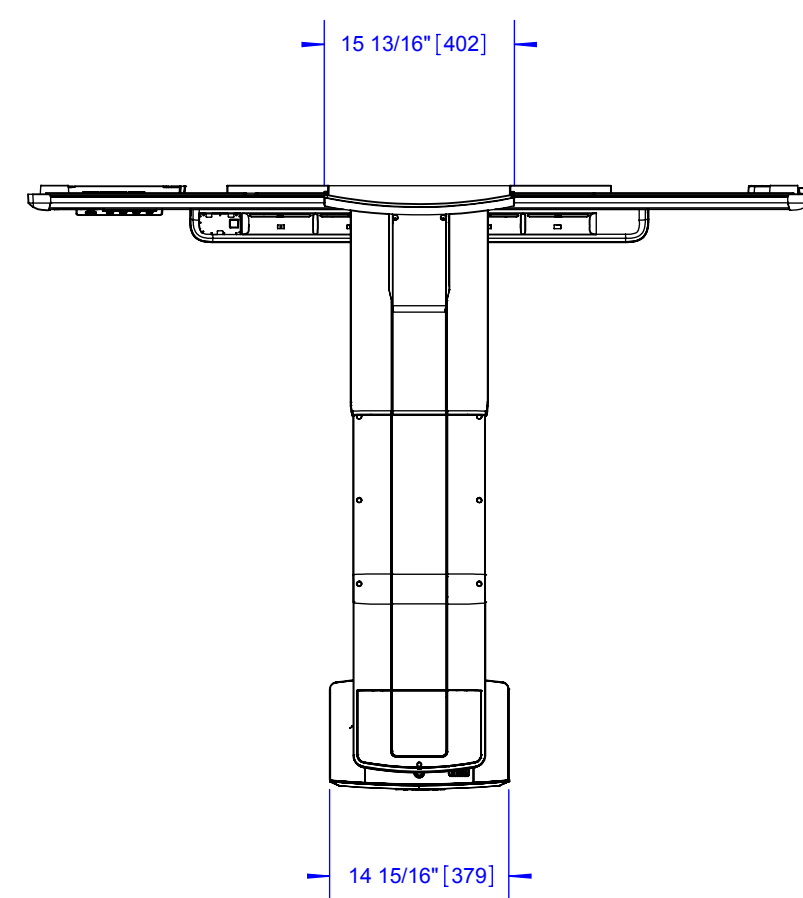
Dimensions are subject to change without notice.

All dimensions +/-1/8 (3mm)

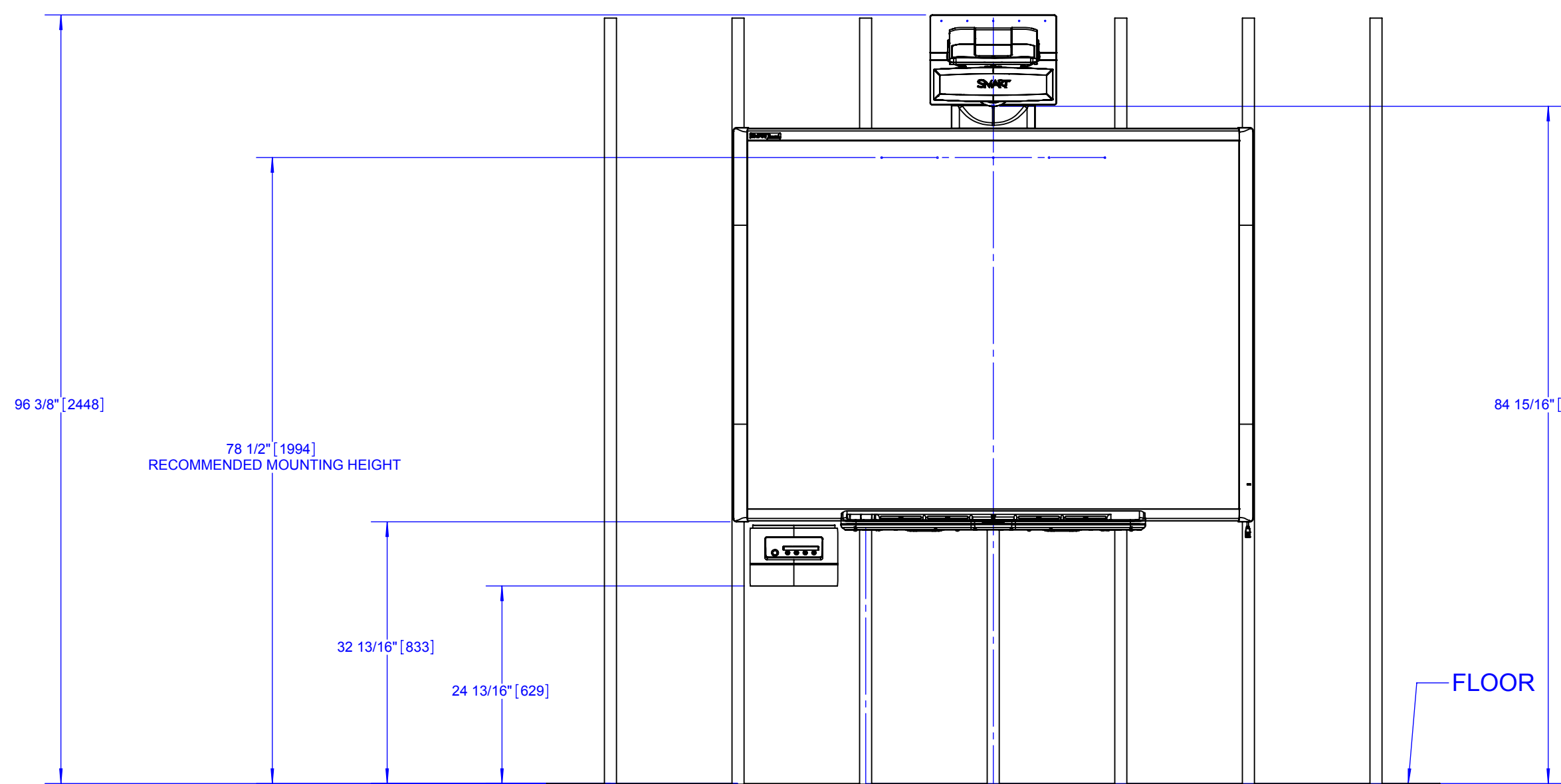
NOTE: DO NOT SCALE



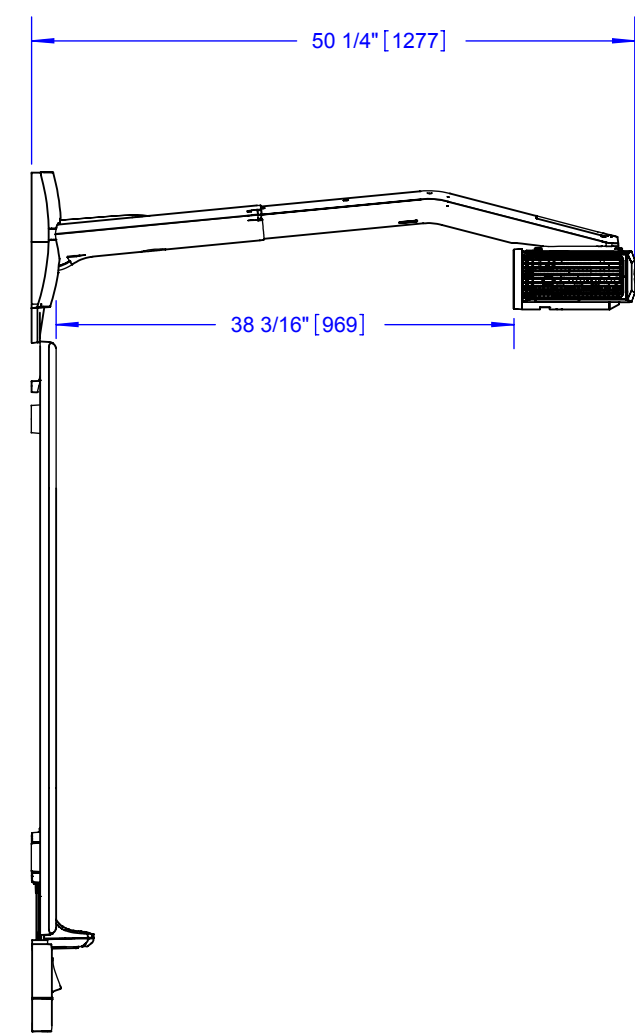
ISOMETRIC VIEW



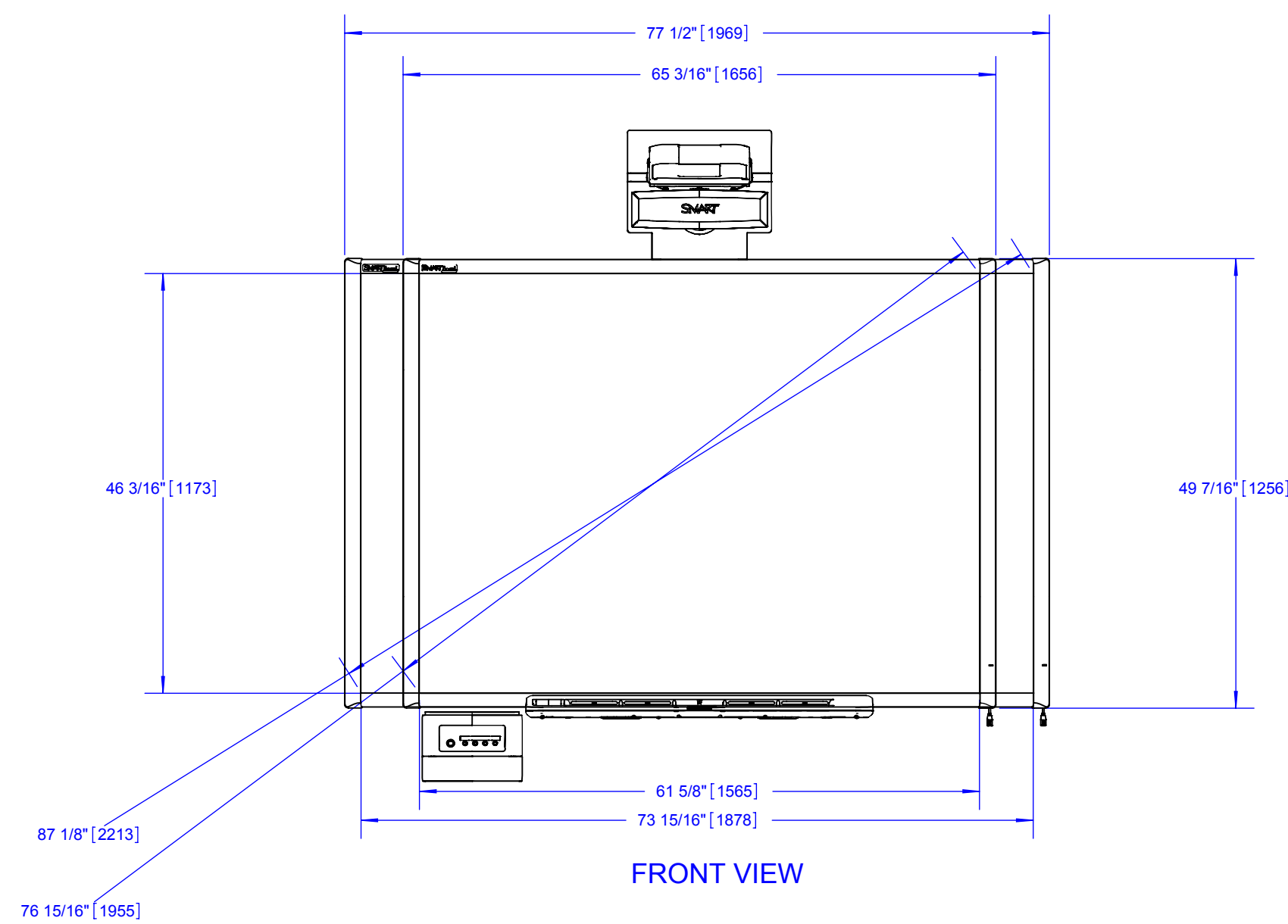
TOP VIEW



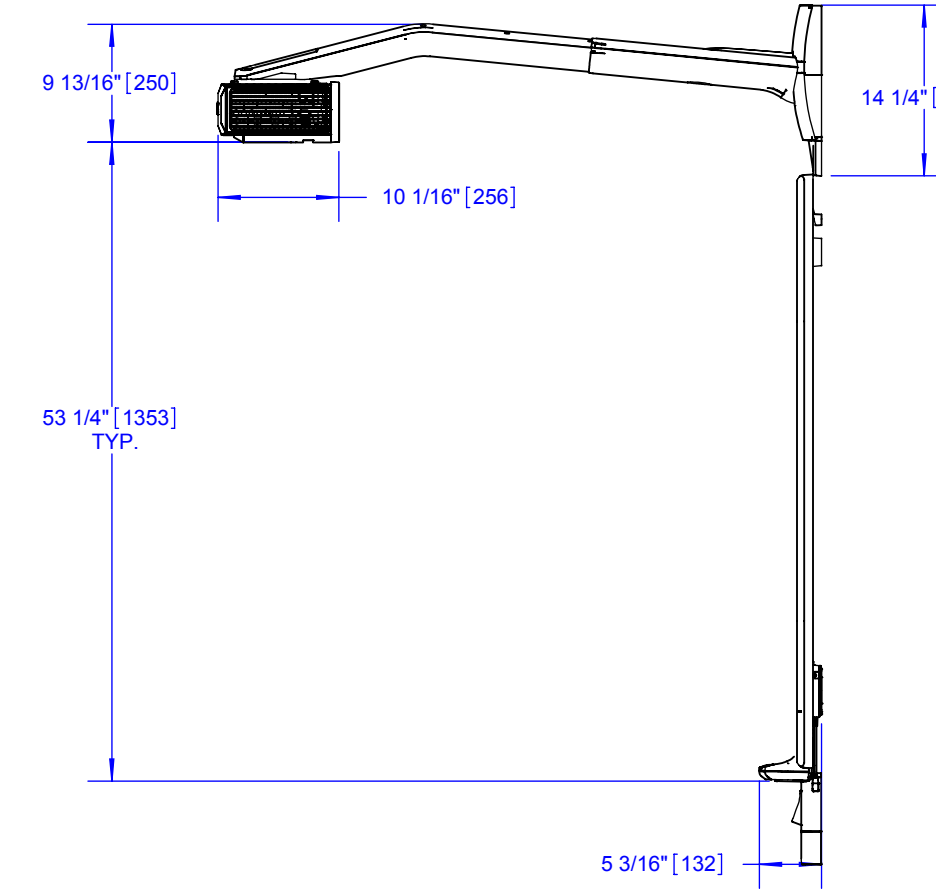
EXAMPLE OF INSTALLATION ON A FRAMED WALL



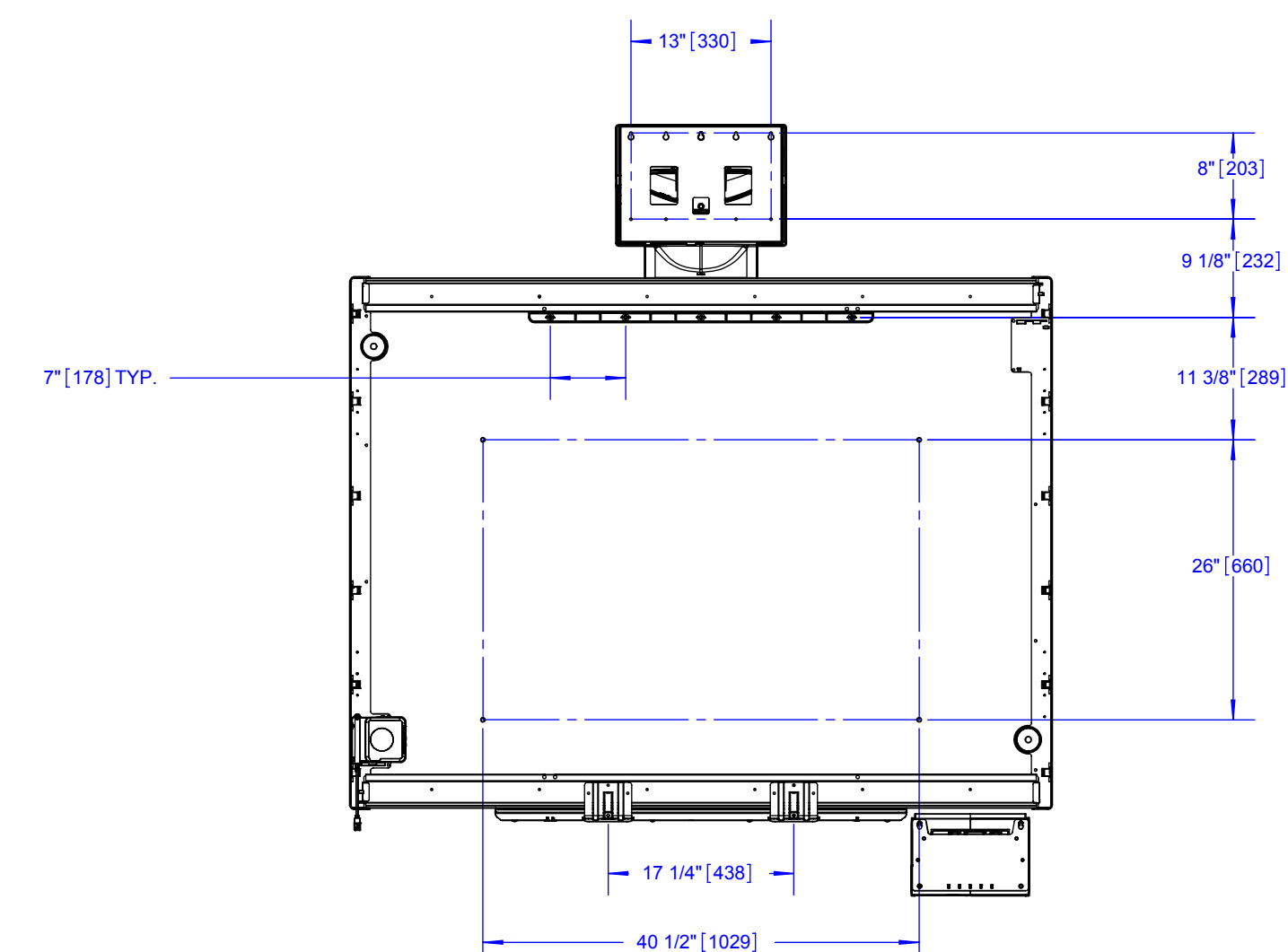
LEFT VIEW



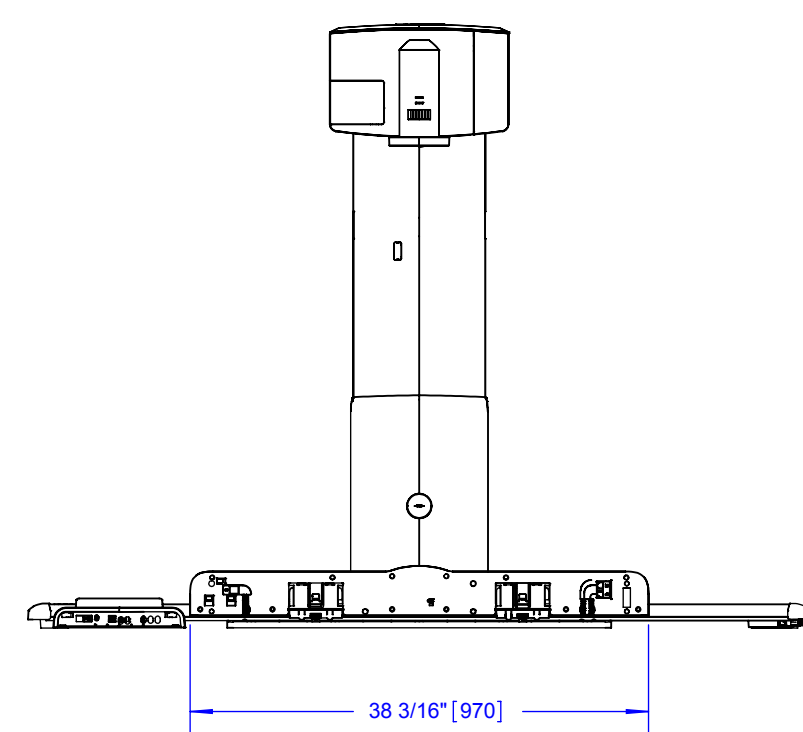
FRONT VIEW



RIGHT VIEW



BACK VIEW



BOTTOM VIEW



3636 Research Road NW
 Calgary, Alberta T2L 1Y1
 CANADA

www.smarttech.com/support
www.smarttech.com/contactsupport

Support +1.403.228.5940 or
 Toll Free 1.866.518.6791 (U.S./CAN)

© 2009 SMART Technologies ULC.
 All rights reserved.
 SMART Board, smarttech and the
 SMART logo are trademarks of
 SMART Technologies ULC in the U.S.
 and/or other countries.
 Patent No. US5448263; US6141000;
 US6320597; US6326954; US6337681;
 US6540366; US6741267; US6747636;
 US7151533; US7184030; US7283126;
 US7289113; CA2058219; and CA2252302.
 Other patents pending. 01/2009.