

PLEASE THINK BEFORE YOU PRINT

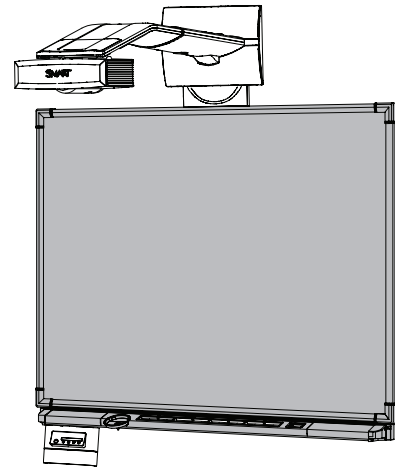
Specifications

Parts Kit for SMART Board™ 560 and 580 Interactive Whiteboards and UF55 Projectors

Model UF55-RFK-500

Physical Specifications

Total Size	
UF55 Projector set to 560 position	18 1/2" W × 15 1/2" H × 38 3/4" D (47 cm × 39.4 cm × 98.4 cm)
UF55 Projector set to 580 position	18 1/2" W × 15 1/2" H × 44 7/8" D (47 cm × 39.4 cm × 113.9 cm)
Remote Control	1 5/8" W × 3 3/8" H × 1/4" D (4 cm × 8.6 cm × 0.7 cm)
Extended Control Panel	11" W × 7 5/8" H × 2 3/8" D (27.9 cm × 19.4 cm × 6 cm)
Weight	33 lb. 14 oz. (15.4 kg)
Shipping Weight	
UF55 Projector/Boom Box	41 lb. 3 oz. (18.7 kg)
Parts Kit Tube	2.2 lb. (1 kg)
Shipping Size	
Boom Box	39 3/4" W × 9 1/2" H × 16" D (100.9 cm × 24.1 cm × 41.2 cm)
Projector Box	18 1/2" W × 15 1/8" H × 8 1/4" D (47 cm × 38.5 cm × 21 cm)
Parts Kit Tube	ø 4" × 36" L (ø 10.2 cm × 91.4 cm)



All dimensions +/- 1/8" (0.3 cm). All weights +/- 2 lb. (0.9 kg)

Extraordinary made simple™

SMART™

i NOTE

The UF55-RFK-500 parts kit for SMART Board™ 560 and 580 interactive whiteboards and UF55 projectors converts your interactive whiteboard and UF55 projector system into a complete interactive whiteboard system. This kit doesn't include an interactive whiteboard or a UF55 projector system. See your SMART Board [560 or 580](#) interactive whiteboard's specifications for sizes and weights. To install the parts kit for SMART Board™ 560 and 580 interactive whiteboards and UF55 projectors, remove your interactive whiteboard and reinstall it with the new mounting hardware (included) and the UF55 projector system. This kit isn't compatible with SMART Board 540 interactive whiteboards.

Standard Features

Software	SMART Notebook software included. See the SMART Notebook software specifications for a complete list of system requirements. Software upgrades are available at www2.smarttech.com/st/en-US/Support/SBS/ .
Certifications and Compliance	CSA (U.S./Canada), CB, CE, FCC, RoHS (China), RoHS (Europe), WEEE, VCCI (Japan), C-Tick (Australia)
Warranty	The projector and extended control panel (ECP) have a three-year limited equipment warranty. The UF55 projector lamp has a 500 hour/90 day warranty.
Cables	Includes the necessary cables to connect the projector to the ECP. However, you must supply the appropriate input cables for your personal computer and devices.

UF55 Projector System Features

System Components	UF55 projector, boom mount with a limit strap (including a controlled-collapse feature), ECP, remote control and all necessary input cables from the ECP to the projector
Image Adjustment	The mounting boom includes mechanical adjustment areas for aligning the projector image with your interactive whiteboard. The projector also has a focus lever and a digital on-screen menu for brightness, contrast and other image-related attributes.
Display Type	True XGA 1024 × 768 projector
Display Technology	The projection engine uses DLP® technology by Texas Instruments™, providing BrilliantColor™ performance and quality Gamma 2.2 correction with Bright Classroom, Dark Classroom, sRGB and User modes.
Brightness	Estimated at 2000 lumens (typical) at a CCT of 6500°K by the IEC method
Lamp Life	3000 hours (Standard 200 W mode) or 4000 hours (Economy 160 W mode)
Aspect Ratio	4:3 native, with support for 16:9, 16:10 and 4:5 ratios
Contrast Ratio	2000:1

Video System Compatibility	NTSC, NTSC 4.43, PAL, PAL-N, PAL-M, SECAM
Video Interface Compatibility	Composite, S-video, and VESA RGB, with additional interface support for Component YPbPr and Component YCbCr inputs with the proper adapters (not included)
Video Format Compatibility	Native 4:3 aspect ratio XGA projector resolution. With scaling, VGA, SVGA, SXGA, QuadVGA, SXGA+ and UXGA formats are supported.
Synchronization	Auto image synchronization (auto tracking, frequency, position adjustment, source detect and phase detect)
Mounting Hardware	Hardware is included for mounting the UF55 projector and the ECP to framed and solid masonry walls. A safety tether and limit strap are included. A new mounting bracket, installation guide and hardware are provided for installing your 500 series interactive whiteboard.
Input/Output Connections	Two HD DB15F connectors – RGB video input from computer and/or ECP via VGA connectors HD DB15F connector – video output passthrough of Video Input 1 signal 4-pin mini-DIN connector – S-video input One pair of audio jacks (RCA, stereo) reserved for use with S-video Composite video connector – RCA-style video input One pair of audio jacks (RCA, stereo) reserved for use with composite video 3.5 mm stereo jack – audio input from computer 3.5 mm stereo jack – audio output to connect speakers DB9M – serial (RS-232) for power and communication to the ECP RJ45 – network connection for SNMP management and control, and for sending e-mail alerts
Projector Noise	36 dBA (high fan speed) or 31 dBA (standard fan speed) measured using JIS method
Power Requirements	100V AC to 240V AC, at 50 Hz to 60 Hz
Power Switch	Master power control switch
Power Cable	One 14' 9" (4.5 m) power cable included
External Control	The RS-232 connector is configured to accept control codes from your computer or a room control system.
Power Consumption	385 W (Standard mode) to 504 W maximum, 5 W in Standby mode
Remote Control	Provides an alternative method of controlling the UF55 projector settings
Theft Protection	The UF55 projector system features a padlock ring (padlock not included) and an attachment screw for securing the projector to the projector plate. The projector doesn't function if it is separated from the ECP and can't be operated without the remote control. A Kensington® security slot is provided to affix the system to a wall as a visual and physical theft deterrent.

ECP Features

Input/Output Connections	HD DB15F connector – RGB video from computer (supports CAV, YPbPr or Y'UV) HD DB15F connector – RGB video to projector DB9F – serial (RS-232) computer or room control connection DB25M – provides input signals and control signals to the projector 4-pin mini-DIN connector – S-video input One pair of audio jacks (RCA, stereo) reserved for S-video Composite video connector – RCA-style video input One pair of audio jacks (RCA, stereo) reserved for composite video 3.5 mm audio stereo jack – PC audio input
Power Button	Turns the projector on and off
Input Selection Buttons	Provide control for the following input types: S-video and associated audio (RCA jacks), composite video and associated audio (RCA jacks), and Computer 2 VGA input and associated 3.5 mm audio stereo jack

Storage and Operating Temperatures

Storage	122°F (50°C) maximum storage temperature -40°F (-40°C) minimum storage temperature
Operating	41°F to 95°F (5°C to 35°C) using standard fan speed at an altitude of 0' to 6000' (0 m to 1829 m) 41°F to 86°F (5°C to 30°C) using high fan speed at an altitude of 6000' to 6800' (1829 m to 2073 m) 41°F to 86°F (5°C to 30°C) in Service mode at an altitude of 6800' to 9800' (2073 m to 2987 m)

SMART Order Numbers

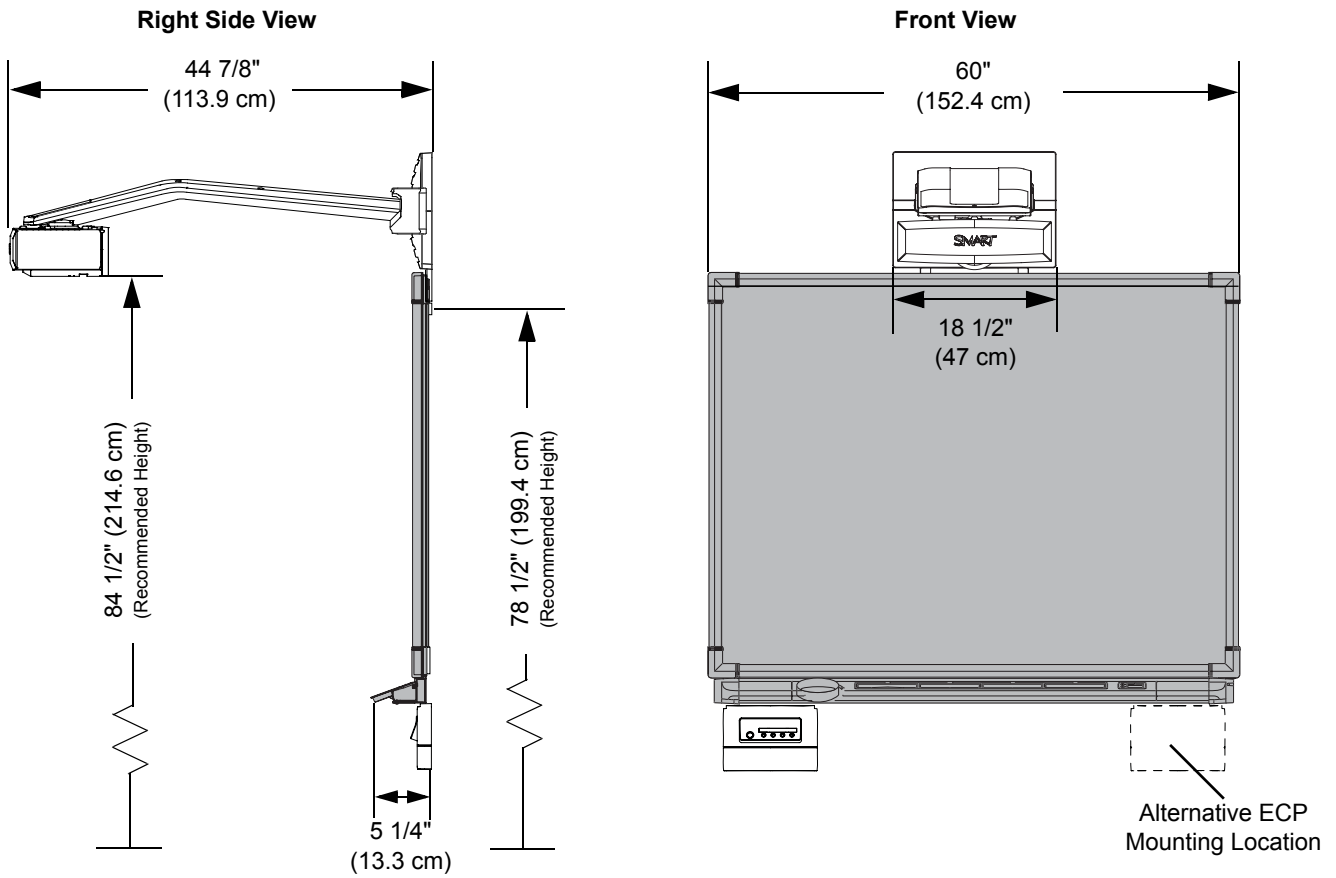
UF55	UF55 projector retrofit kit
UF55-RFK-500	Parts kit for SMART Board 560 and 580 interactive whiteboards and UF55 projectors
20-01032-20	Replacement projector lamp

Optional Accessories

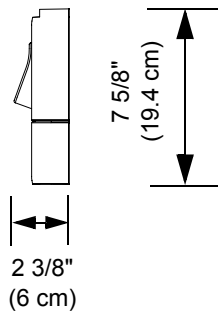
ERA-003	Replacement eraser and eraser barrier (for 500 series interactive whiteboards)
RPEN	Replacement set of four pen tray pens (black, red, blue and green)

Physical Dimensions

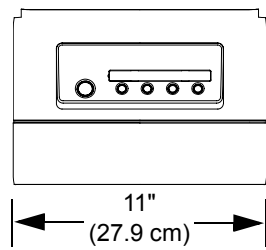
UF55-RFK-500 with SMART Board 580 interactive whiteboard and UF55 projector system



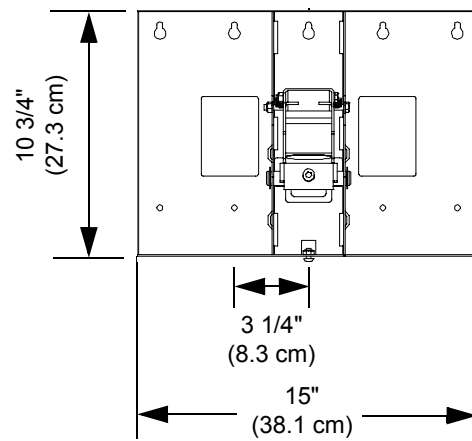
ECP Right Side View



ECP Front View

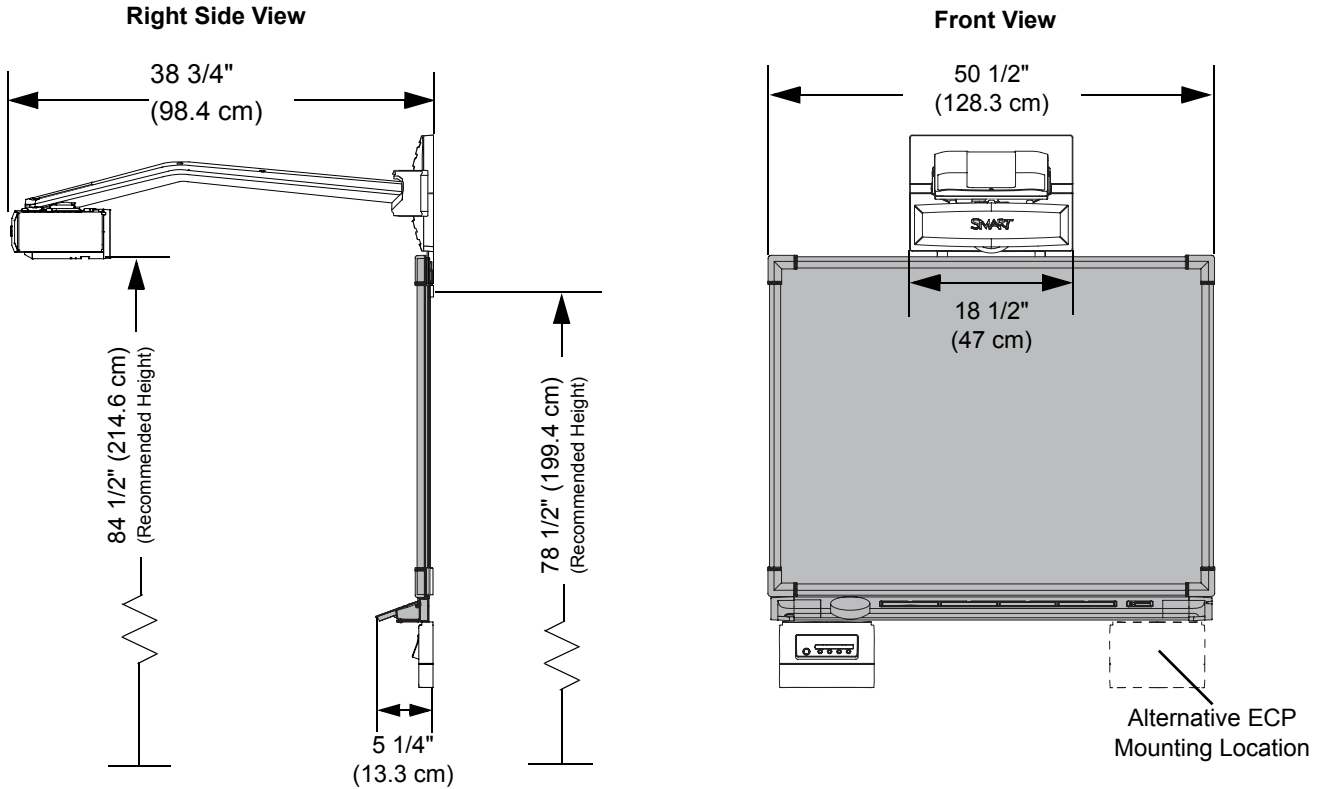


Projector Mounting Bracket

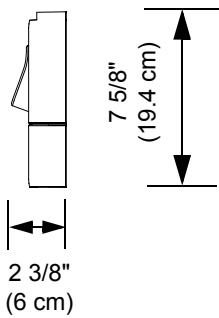


Physical Dimensions

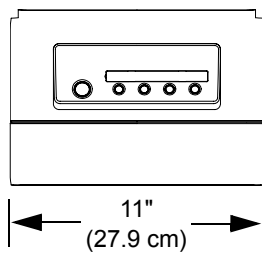
UF55-RFK-500 with SMART Board 560 interactive whiteboard and UF55 projector system



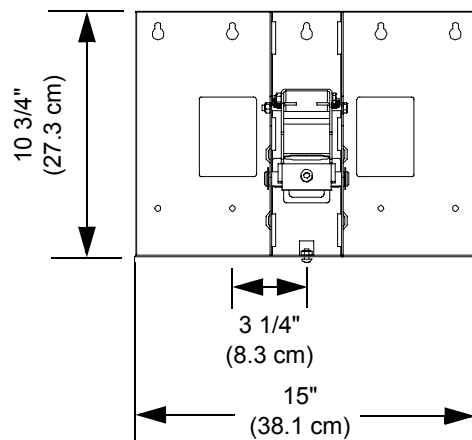
ECP Right Side View



ECP Front View



Projector Mounting Bracket



www.smarttech.com/support www.smarttech.com/contactsupport
 Support +1.403.228.5940 or Toll Free 1.866.518.6791 (U.S./Canada)

