

## New Features

# SMART Notebook Math Software 2009

SMART Notebook Math provides you with the features of SMART Notebook software so you can create and deliver engaging, interactive learning experiences across grades, subjects and learning styles. SMART Notebook Math also includes the following mathematical tools.

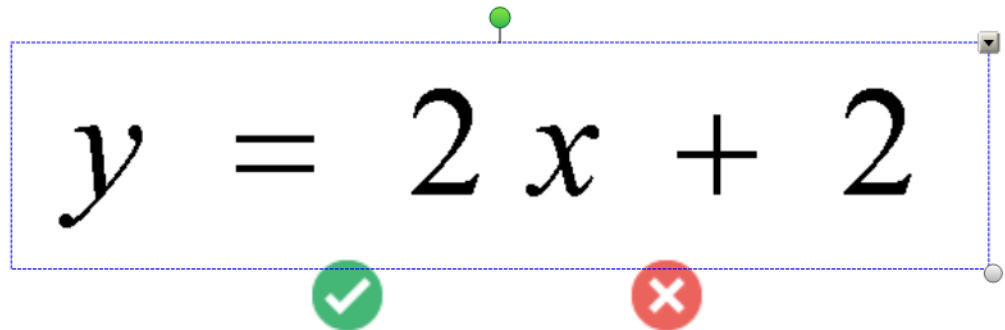
## Features at a Glance

- Equations
  - Handwriting Recognition for Mathematical Symbols (page 2)
  - Equation Solving (page 2)
  - Equation Editing (page 2)
- Advanced Shape Creation and Manipulation Tools
  - Regular Polygon Tool (page 2)
  - Irregular Polygon Tool (page 3)
  - Advanced Shape Manipulation (page 3)
- Measurement Tools
  - Ruler (page 3)
  - Protractor (page 4)
  - Compass (page 4)
- Graphs
  - Dynamic Graphing (page 5)
  - Custom Graph Builder (page 6)
- Launch Texas Instruments™ Emulators (page 6)

## Equations

### Handwriting Recognition for Mathematical Symbols

Write equations on the page using pen tray pens (on interactive whiteboards) or a tethered pen and pen tool buttons (on interactive pen displays). SMART Notebook Math recognizes many numbers, letters, symbols, operators and functions and replaces your written equation with typed, editable text.



### Equation Solving

After SMART Notebook Math recognizes your mathematical symbols, you can instruct SMART Notebook Math to solve the equation and display a mathematical, symbolic or graphical solution.

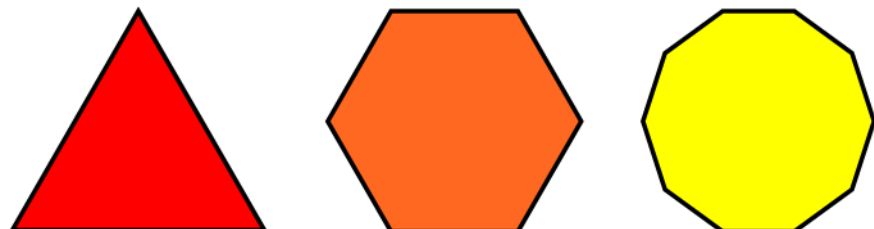
### Equation Editor

Insert and edit equations on the .notebook page. This feature is under development and isn't available in the SMART Notebook Math beta release.

## Advanced Shape Creation and Manipulation Tools

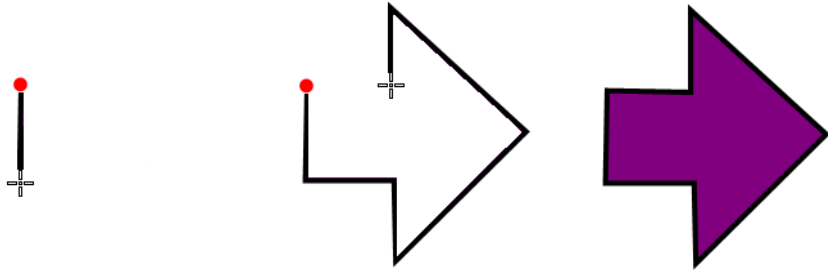
### Regular Polygon Tool

Insert regular polygons with 3 to 15 sides, and customize their color, size and line style using the Properties tab.



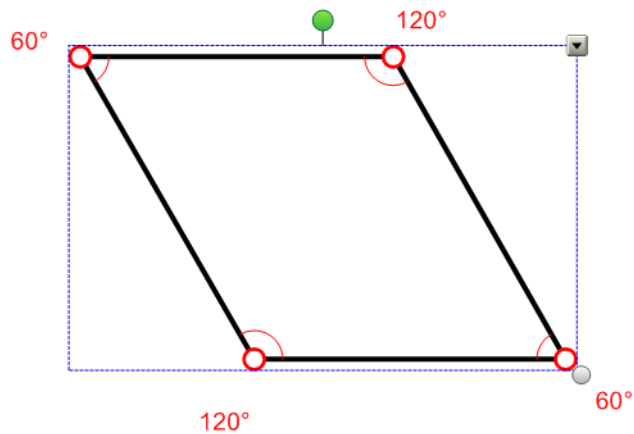
## Irregular Polygon Tool

Insert irregular polygons by creating points on a .notebook page.



## Advanced Shape Manipulation

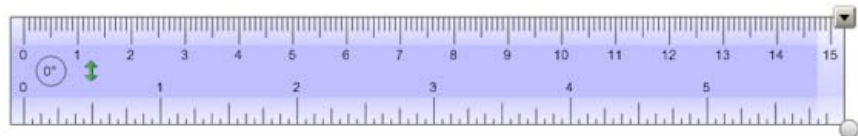
Manipulate a shape by selecting and editing its vertices. Display its interior angles and side lengths and watch these values update automatically as you edit the shape.



## Measurement Tools

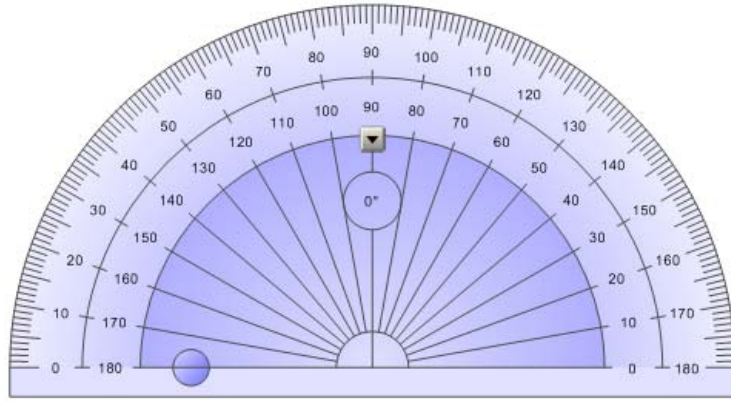
### Ruler

Insert a ruler into a .notebook page and use it as a measurement, demonstration and drawing tool.



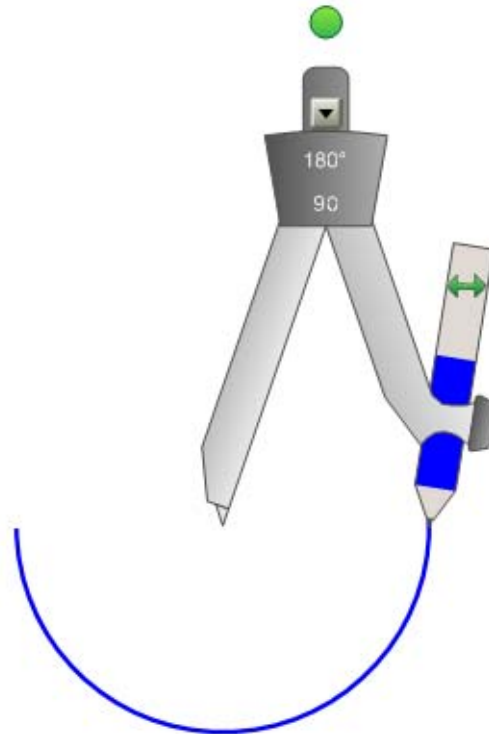
## Protractor

Insert a protractor into the a .notebook page and use it to measure and draw arcs and circles.



## Compass

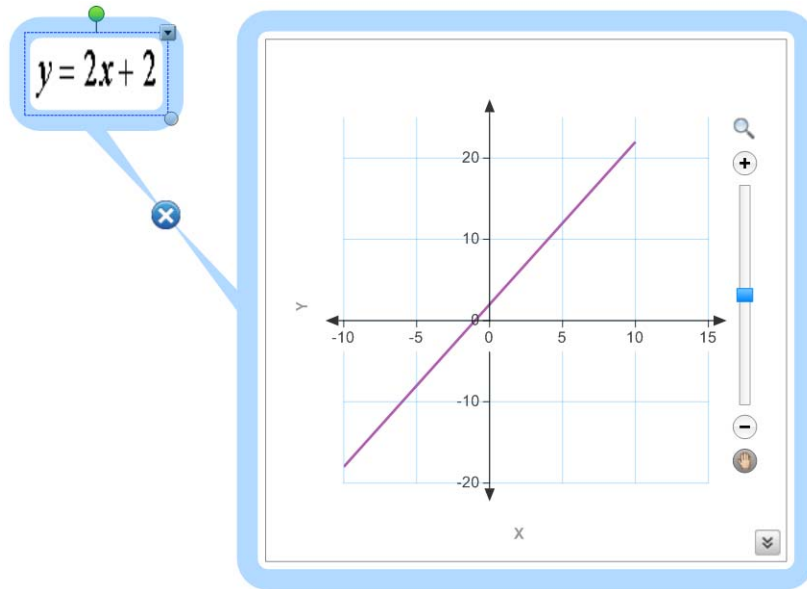
Insert a compass into a .notebook page, manipulate its width, rotation and location, and then use it to draw arcs and circles.



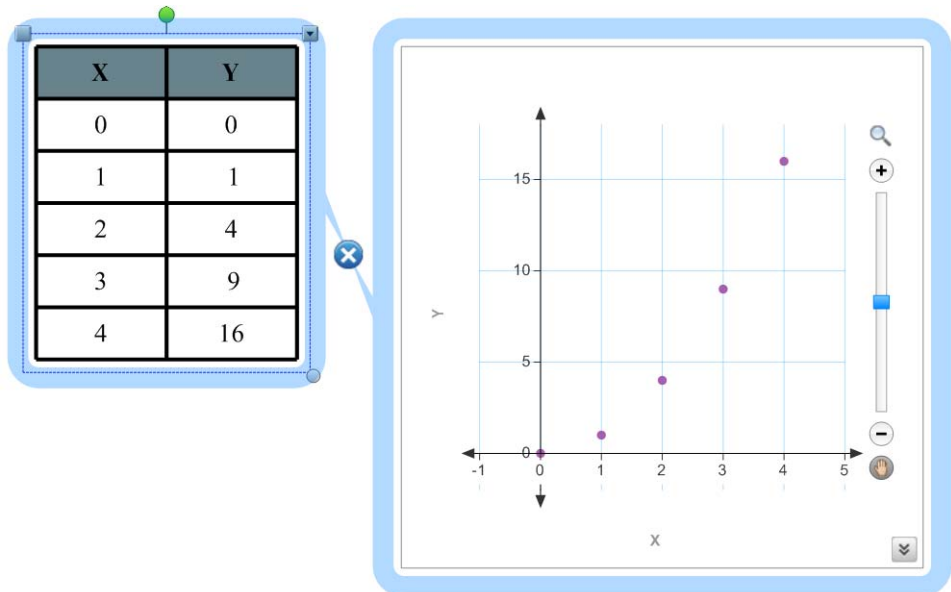
## Graphs

### Dynamic Graphing

Create graphs from equations. If you edit the equation, the graph updates automatically.

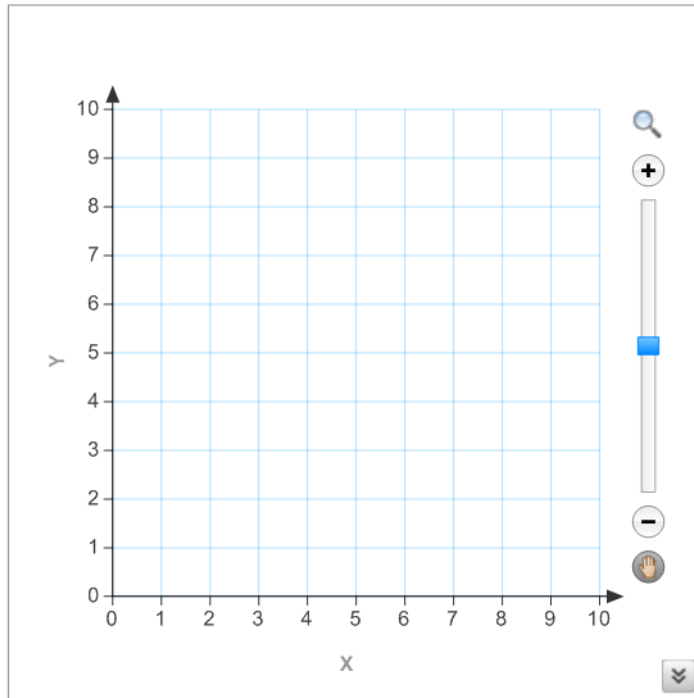


Create graphs from a table of values. Add values to the table or add points to the graph. If you edit the table, the graph updates automatically and vice versa.



## Custom Graph Builder

Insert a Cartesian graph, quadrant graph or number line into a page. You can customize the title, size, position and grid lines of the graphs and edit the start point, end point, labels and grid lines of its axes.



## Launch Texas Instruments Emulators

Launch and operate TI-Nspire™, TI-SmartView™ 84 and TI-SmartView 73 software from within SMART Notebook.

### **i** NOTE

The Texas Instruments emulator isn't included with SMART Notebook Math software and this feature works only if Texas Instruments software is already installed and licensed on your computer.