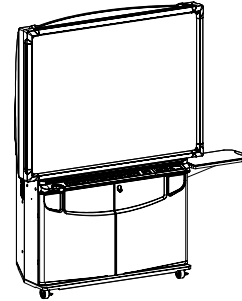


Rear Projection SMART Board™ Interactive Whiteboard

Specifications – 4000i

Physical Specifications

Size	57 3/8" W × 79 1/8" H × 29 1/4" D (145.8 cm × 200.7 cm × 74.2 cm)
	52 3/4" W × 39 5/8" H (134.0 cm × 100.6 cm) (4:3 aspect ratio) 66" diagonal (167.6 cm)
Weight	463 lb. (209 kg)
Shipping Weight	62" W × 88" H × 43" D (157.5 cm × 223.5 cm × 109.2 cm)
Shipping Size	658 lb. (298.5 kg)



All dimensions +/- 1/8" (0.3 cm). All weights +/- 2 lb. (0.9 kg).

Standard Features

Software	SMART Board™ software and Notebook™ software. Software upgrades are available at www.smarttech.com/support/software/index.asp .
Cabinet	Secure, fully enclosed cabinet with locking front doors. Easy access to multimedia equipment. Streamlite™ design with tapered shape. Metal and plastic composite construction.
Portability	Roll-about, self-contained unit. Easy to move through doors as small as 80" H × 32" W (203.2 cm × 81.3 cm). Locking casters are 3" (7.6 cm).
Wireless Keyboard	All regions except Japan. U.S. English, compatible with Windows® operating systems. Built-in trackball. Storage compartment provided on the side of the cabinet.
Front Projector Controls	Built-in projector controls on front of cabinet
Audio	Stereo amplified speakers
Computer Connection	An integrated serial cable and a 2'6" (76.2 cm) SMART USB adapter cable are included.
Power Consumption	Approximately 500 watts for the projector, audio and controller electronics. This 500-watt estimate does not include the internal computer, guest computer or other optional components such as a VCR or DVD player.
Certifications and Compliance	CSA (Canada/U.S.)/CE, WEEE, RoHS (Europe), RoHS (China)
Warranty	Two-year limited equipment warranty on screen, cabinet and projector. Warranty on the projector lamp is 90 days. Projector and lamp warranty provided by projectiondesign®.

Integrated Projector

Display Type	projectiondesign® SXGA+ (1400 × 1050) with short-throw lens
Display Technology	LVDS DMD™ with DarkChip3™
Brightness	3300 ANSI Lumens
Contrast Ratio	2500:1
Lamp	170 W–220 WUHP™, up to 3,000-hour lamp life in Eco mode (2,250 hours typical)
Scanning Rates	H-sync 15 kHz–150 kHz; V-sync 48 Hz–190 Hz
Video Compatibility	NTSC, NTSC 4.43, PAL, PAL-60, M-PAL, N-PAL, SECAM
RGB Signal Compatibility	SXGA, XGA, UXGA, SVGA, VGA, MAC, IBM, VESA, SUN, SGI, HP

Interactive Whiteboard Features

SMART Pen Tray	Optical sensors in the pen tray detect when a pen or the eraser is lifted from the tray. Four pens (black, blue, red and green) and an eraser are included.
SMART Super Screen	Diffusion screen with uniform light distribution. Suitable for high ambient lighting.
Digitizing Technology	DViT™ (Digital Vision Touch) technology uses digital cameras to track an object interacting with a display surface.

Integration Features

SMART Switch	Automatically switches the audio, video and serial connections to an alternate computer (Windows operating system or Macintosh computer). Comes wired with power, audio, video and serial cables.	
Side Shelf	16" W × 11" D (40.6 cm × 27.9 cm) shelf for a guest laptop. You can mount this shelf on either side of the cabinet.	
Video Camera Platform	The top of the cabinet can hold a video camera. Make sure you mount the camera securely using heavy-duty double-sided tape or another secure method. You can also order an optional videoconferencing shelf that provides a secure mount and cable management.	
Rear Connection Panel	<u>Input Terminals</u>	<u>Output Terminals</u>
	- DB25F printer parallel port	- Dual RCA
	- RJ45F network	- HD15 (F) VGA
	- RCA composite	
	- Dual RCA (F) audio	
	- S-video (F)	
	- 3.5 mm mini-stereo (F)	

NOTE: VGA output isn't enabled by default. To enable this connector, the host computer must have a dual-output video adapter, or you must install a video distribution amplifier.

SMART Board Software 9.7 Computer Requirements

Windows Computers	<p>Pentium® II 450 MHz processor 128 MB of RAM (256 MB recommended) 150 MB of free hard disk space for minimum installation (840 MB for full installation with Gallery collections) Windows 2000, Windows XP or Windows Vista™ operating system Internet Explorer® internet browser 6.0 or later Adobe® Flash™ player version 8</p>
Requirements for SMART Video Player	<p>Pentium II 450 MHz processor (700 MHz or faster recommended) Windows 2000 operating system or Microsoft® DirectX® technology 8.1 or later Microsoft® DirectX® technology 8.1 or later</p>
Mac Computers	<p>700 MHz processor (1 GHz or faster recommended) 128 MB of RAM (256 MB recommended) 75 MB of free hard disk space for minimum installation (930 MB for full installation with Gallery collections) Mac OS X version 10.4.x operating system software Safari application program version 1.3.2 or later SMART Board software version 9.7 supports both PowerPC® and Intel® processors (universal binary)</p>
Linux® Computers	<p>Pentium II 450 MHz processor 128 MB of RAM (256 MB recommended) 225 MB of free hard disk space for minimum installation (800 MB for full installation with Gallery collections) Linux kernel version 2.6 or later X Window System™ version 11 release 6 (X11R6) or later (must support XRender, Xinerama™, XFixes, Xau and Xdmcp) glibc 2.3.3 (gcc 3.4.2) libstdc++6 GNOME™ 2.8.0+ or KDE® 3.3+ libraries (recommended) SUSE™ 10, Red Hat® Enterprise Linux 4 WS, Debian® 3.1 (Sarge), Ubuntu® 6.06 LTS or Fedora™ Core 3+</p>

Storage and Operating Specifications (includes projector)

Storage	14°F to 95°F (-10°C to 35°C)
Operating	41°F to 84°F (5°C to 29°C) with up to 80% humidity non-condensing

Optional Accessories

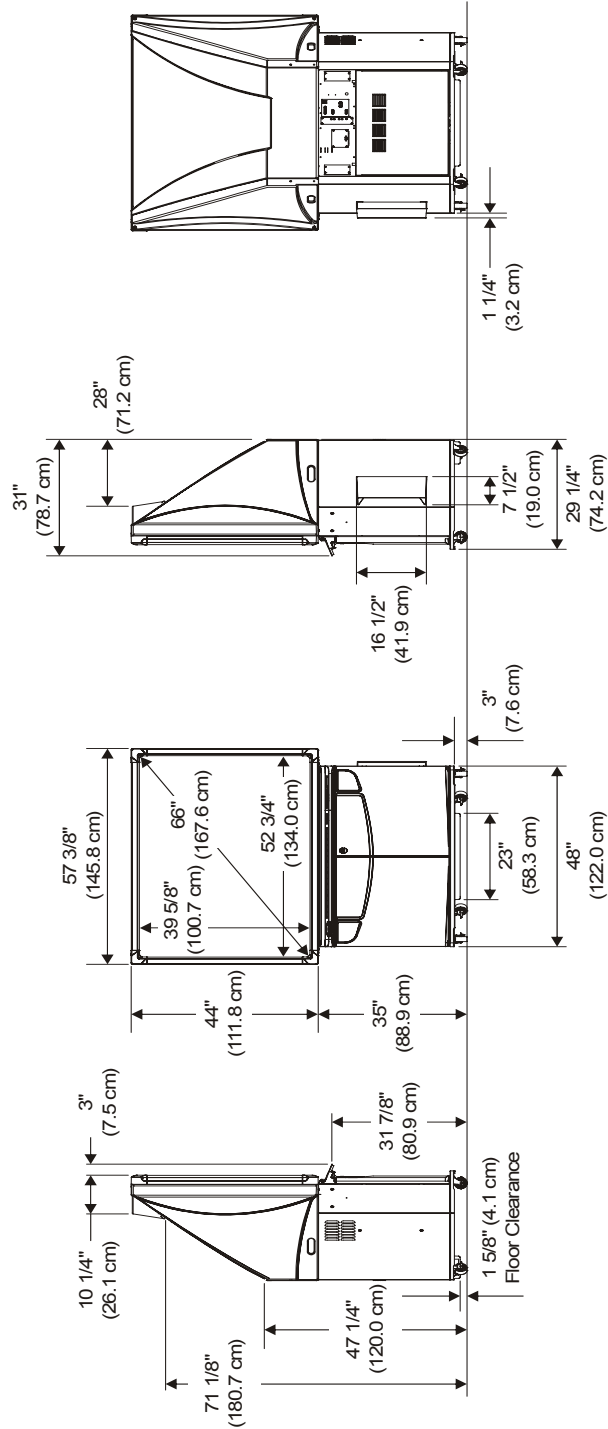
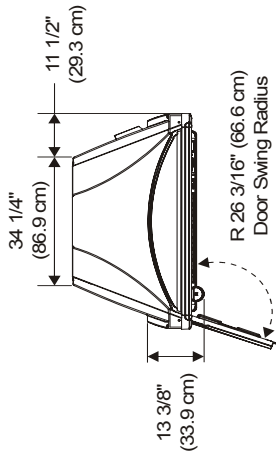
3000i-VC1	Large Videoconferencing Shelf
3000i-VC2	Small Videoconferencing Shelf
3000i-RCM	Room Control Module

SMART Order Number

RPSB 4000i-DV	<i>Rear Projection</i> SMART Board 4000i interactive whiteboard
----------------------	---

Rear Projection SMART Board™ Interactive Whiteboard

Specifications – Model 4000i



All dimensions +/- .18" (0.3 cm).

www.smarttech.com/support www.smarttech.com/contactsupport
 Support +1.403.228-5940 or Toll Free 1.866.518.6791 (U.S./Canada)

© SMART Technologies ULC. All rights reserved. SMART Board, Notebook, Streamlite, DVIT and the SMART logo and smarttech are trademarks or registered trademarks of SMART Technologies ULC in the U.S. and/or other countries. Microsoft, Windows, and Windows NT are registered trademarks or trademarks of Microsoft Corporation in the U.S. and/or other countries. Linux is the registered trademark of Linus Torvalds in the U.S. and/or other countries. All other third-party product and company names may be trademarks of their respective owners. Patent No. US5448263; US6141000; US6326954; US6337681; US6741267; US6747636; US6803906; US6919880; US6947032; US6954197; US6972401; US7151533; US7184030; US7236162; US7289113; CA2058219; CA2453873; EP1297488; ES2279823; CN1310126; and DE60124549. Other patents pending. Specifications are subject to change without notice. 05/2008.

