

# SMART Board™ 340

## Interactive Whiteboard Specifications

### Physical Specifications

<b>Size</b>	SMART Board with SMART Pen Tray™ Active Screen Area	<b>SMART Board 340</b> 34 5/8" W x 29 1/8" H x 5 1/2" D (87.9 cm x 74 cm x 14 cm) 30 3/4" W x 22 3/4" H (78.1 cm x 57.8 cm) 38" (96.5 cm) diagonal
<b>Wall Mount</b>	Included	Mounting bracket
<b>Cubicle Mount</b>	Optional	Mounting bracket
<b>Floor Stand</b>	Optional SMART Board on Floor Stand Floor Stand Height	Roll-about stand 34 5/8" W x 34 1/2" D (87.9 cm x 87.6 cm) Adjustable every 2" (5.1 cm) from 55 1/4" (140.3 cm) to 65 1/4" (165.7 cm)
<b>Weight</b>	SMART Board with Pen Tray Floor Stand	28 lbs (12.7 kg) 25 lbs (11.4 kg)
<b>Shipping Weight</b>	SMART Board and Carton Floor Stand and Carton	36 lbs (16.4 kg) 30 lbs (13.6 kg)
<b>Shipping Carton</b>	SMART Board with Pen Tray Floor Stand	38 1/4" W x 35 1/2" H x 4 1/2" D (97.2 cm x 90.2 cm x 12.7 cm) 52 1/4" W x 15" H x 4" D (132.7 cm x 38.1 cm x 10.2 cm)

All dimensions +/- 1/8" (0.3 cm). All weights +/- 1/2 lb (0.2 kg).

### Standard Features

<b>SMART Pen Tray</b>	Optical sensors in the Pen Tray detect when a pen or the eraser is lifted from the Tray, providing the user with a natural whiteboard interface
<b>Resolution</b>	Touch resolution approximately 2000 x 2000 Supports all projector resolutions up to 1600 x 1200
<b>Screen Surface Material</b>	Extremely durable, low-reflection hardcoat finish reduces reflection and hot spot from overhead lights or projector
<b>Digitizing Technology</b>	Two resistive sheets separated by an air gap
<b>Metal Components</b>	Graphite gray polyester powder coat finish
<b>Computer Connection</b>	Standard serial connection to computer; 9 and 25 pin connectors included for Windows® or mini DIN-8 pin connector included for Macintosh®
<b>Power Requirements</b>	120V, 60 Hz power transformer, 12V DC 0.5A, 180" (457 cm) cable (other voltage power supplies available)
<b>Warranty</b>	One year parts and labor warranty

### Pen Tray and Tools Specifications

<b>Pens and Eraser</b>	Included	Standard dry erase markers (black, blue, red and green), standard dry erase eraser
<b>Styluses</b>	Included	For use in projected mode only (black, blue, red and green)

### Computer Requirements

<b>Windows</b>	Windows 95 or Windows NT® 4.0 486DX 66MHz or higher PC or compatible (Pentium® recommended) with a minimum of 8 MB RAM required (16 MB RAM recommended) 8 MB free hard disk space required for complete installation
<b>Macintosh</b>	System 7™ or higher 68030 or greater processor or Power Macintosh® with a minimum of 4 MB RAM required (8 MB RAM recommended) 4 MB free hard disk space required for complete installation

### Software

<b>Windows 95 or NT 4.0</b>	SMART Board driver 5.3 and SMART Notebook™ 2.0 included with SMART Boards ordered for Windows 95 or NT 4.0 SMART Meeting Pro™ 1.0 sold separately
<b>Windows 3.1 or NT 3.51</b>	SMART Board driver 5.2 and SMART Notebook 1.1a included with SMART Boards ordered for Windows 3.1 or NT 3.51
<b>Macintosh</b>	SMART Board driver 5.2 for Macintosh and SMART Notebook 1.1 for Macintosh included with SMART Boards ordered for Macintosh systems

### SMART Technologies Inc.

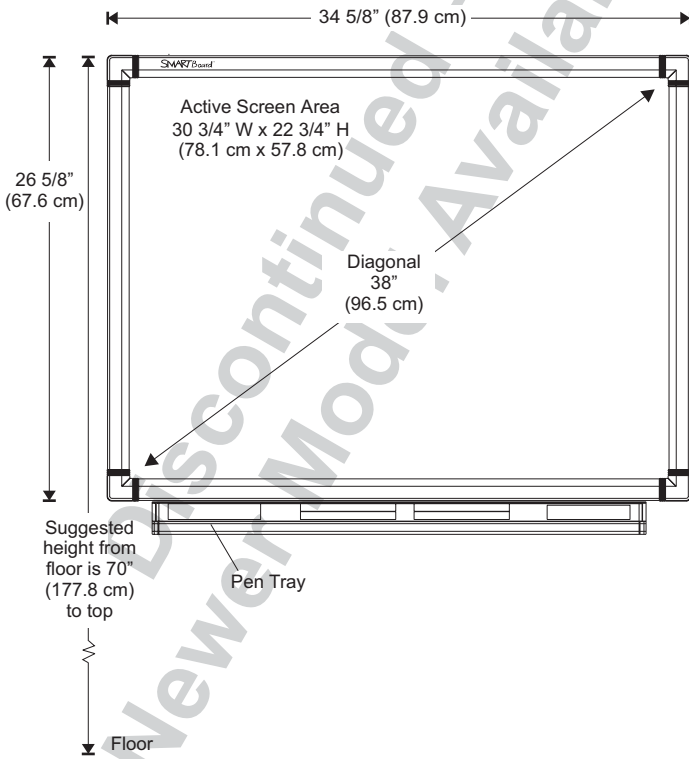
Suite 600, 1177-11th Avenue SW  
Calgary, AB CANADA T2R 1K9  
Tel. 403.245.0333 Fax 403.245.0366  
e-mail: info@smarttech.com www.smarttech.com



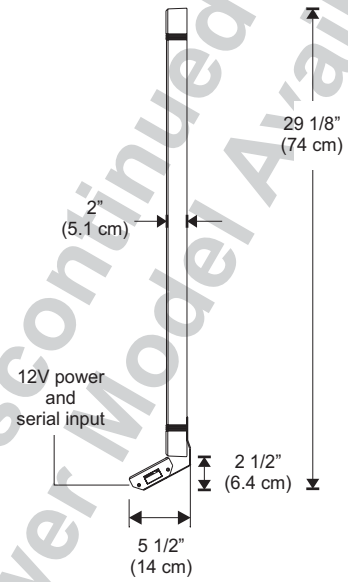
Bringing people and ideas together.™

# SMART Board 340

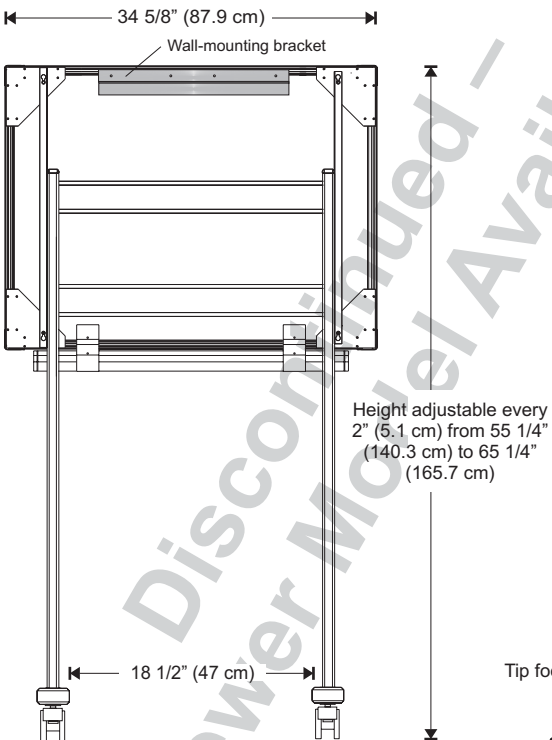
## Wall-mounted



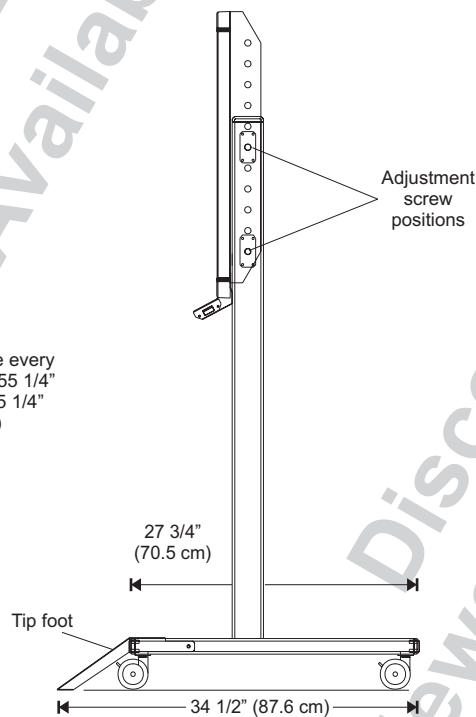
## Side View



## Floor Stand (optional) Back View



## Side View



## Cubicle-mounted (optional) Side View

