

# SMART Board™ 360 & 380

## Interactive Whiteboard Specifications

### Physical Specifications

		<b>SMART Board 360</b>	<b>SMART Board 380</b>
<b>Size</b>	SMART Board with SMART Pen Tray™	50 1/2" W x 41" H x 5 1/2" D (128.3 cm x 104.1 cm x 14 cm)	61 3/8" W x 49 1/2" H x 5 1/2" D (155.9 cm x 125.7 cm x 14 cm)
	Active Screen Area	46 3/4" W x 34 1/2" H (118.7 cm x 87.6 cm) 58 1/4" (148 cm) diagonal	57 5/8" W x 43 1/4" H (146.4 cm x 109.9 cm) 72" (182.9 cm) diagonal
<b>Wall Mount</b>	Included	Mounting bracket	Mounting bracket
<b>Floor Stand</b>	Optional	Roll-about stand	Roll-about stand
	SMART Board on Floor Stand	50 1/2" W x 34 1/2" D (128.3 cm x 87.6 cm)	61 3/8" W x 34 1/2" D (155.9 cm x 87.6 cm)
	Floor Stand Height	Adjustable every 2" (5.1 cm) from 55 1/4" (140.3 cm) to 77 1/4" (196.2 cm)	Adjustable every 2" (5.1 cm) from 55 1/2" (141.5 cm) to 85 1/2" (218 cm)
<b>Weight</b>	SMART Board with Pen Tray	50 lbs (22.7 kg)	79 lbs (35.9 kg)
	Floor Stand	27 lbs (12.3 kg)	31 lbs (14.1 kg)
<b>Shipping Weight</b>	SMART Board and Carton	77 lbs (35 kg)	111 lbs (50 kg)
	Floor Stand and Carton	33 lbs (15 kg)	36 lbs (16.4 kg)
<b>Shipping Carton</b>	SMART Board with Pen Tray	56 1/2" W x 51 1/4" H x 7 1/2" D (143.5 cm x 130.2 cm x 19.1 cm)	72 1/2" W x 54 1/8" H x 7 1/2" D (174 cm x 137.5 cm x 19.1 cm)
	Floor Stand	52 1/4" W x 15" H x 4" D (132.7 cm x 38.1 cm x 10.2 cm)	52 1/4" W x 15" H x 4" D (132.7 cm x 38.1 cm x 10.2 cm)

All dimensions +/- 1/8" (0.3 cm). All weights +/- 1/2 lb (0.2 kg).

### Standard Features

<b>SMART Pen Tray</b>	Optical sensors in the Pen Tray detect when a pen or the eraser is lifted from the Tray, providing the user with a natural whiteboard interface
<b>Resolution</b>	Touch resolution approximately 2000 x 2000 Supports all projector resolutions up to 1600 x 1200
<b>Screen Surface Material</b>	Extremely durable, low-reflection hardcoat finish reduces reflection and hot spot from overhead lights or projector
<b>Digitizing Technology</b>	Two resistive sheets separated by an air gap
<b>Metal Components</b>	Graphite gray polyester powder coat finish
<b>Computer Connection</b>	Standard serial connection to computer; 9 and 25 pin connectors included for Windows® or mini DIN-8 pin connector included for Macintosh®
<b>Power Requirements</b>	120V, 60 Hz power transformer, 12V DC 0.5A, 180" (457 cm) cable (other voltage power supplies available)
<b>Warranty</b>	One year parts and labor warranty

### Pen Tray and Tools Specifications

<b>Pens and Eraser</b>	Included	Standard dry erase markers (black, blue, red and green), standard dry erase eraser
<b>Styluses</b>	Included	For use in projected mode only (black, blue, red and green)

### Computer Requirements

<b>Windows</b>	Windows 95 or Windows NT® 4.0 486DX 66MHz or higher PC or compatible (Pentium® recommended) with a minimum of 8 MB RAM required (16 MB RAM recommended) 8 MB free hard disk space required for complete installation
<b>Macintosh</b>	System 7® or higher 68030 or greater or Power Macintosh® with a minimum 4 MB RAM required (8 MB RAM recommended) 4 MB free hard disk space required for complete installation

### Software

<b>Windows 95 or NT 4.0</b>	SMART Board driver 5.3 and SMART Notebook™ 2.0 included with SMART Boards ordered for Windows 95 or NT 4.0 SMART Meeting Pro™ 1.0 sold separately
<b>Windows 3.1 or NT 3.51</b>	SMART Board driver 5.2 and SMART Notebook 1.1a included with SMART Boards ordered for Windows 3.1 or NT 3.51
<b>Macintosh</b>	SMART Board driver 5.2 for Macintosh and SMART Notebook 1.1 for Macintosh included with SMART Boards ordered for Macintosh systems

### SMART Technologies Inc.

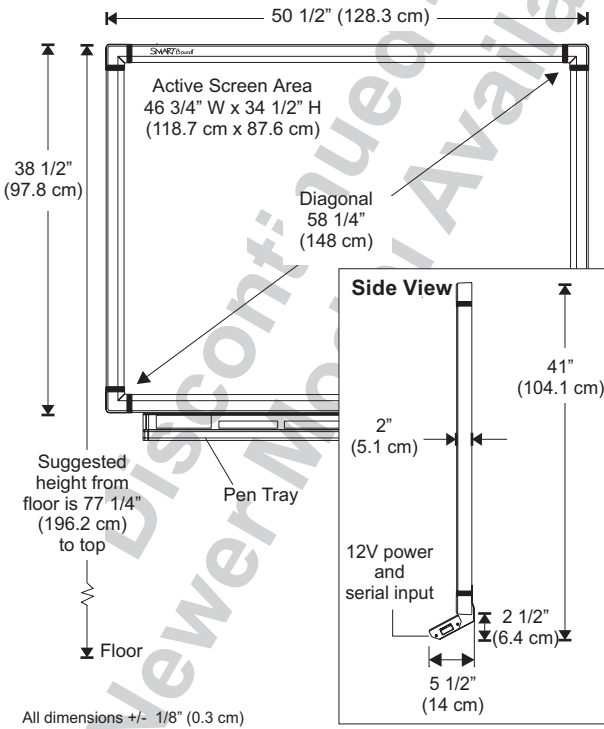
Suite 600, 1177-11th Avenue SW  
Calgary, AB CANADA T2R 1K9  
Tel. 403.245.0333 Fax 403.245.0366  
e-mail: info@smarttech.com www.smarttech.com

**SMART**  
Technologies Inc.

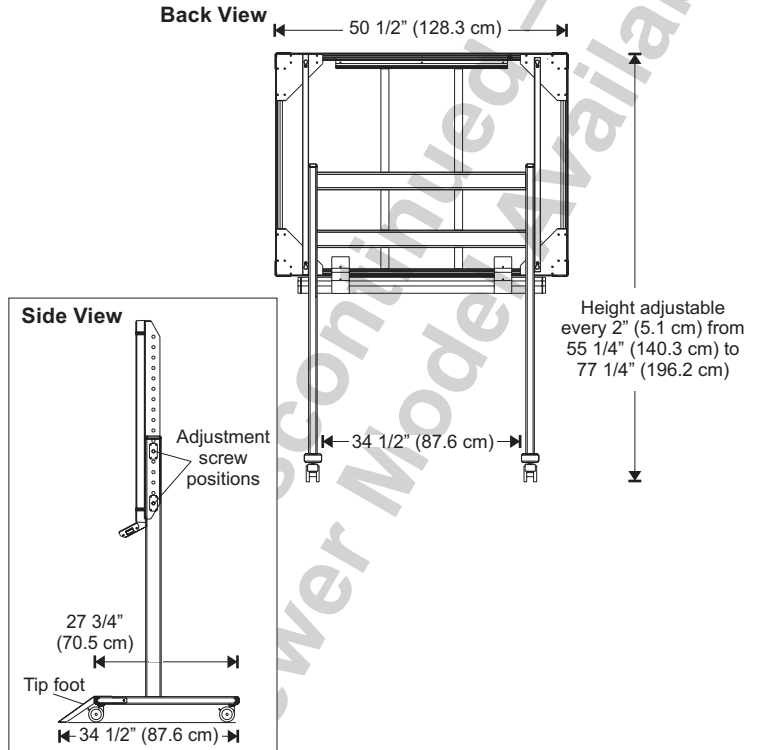
*Bringing people and ideas together.™*

# SMART Board 360

## Wall-mounted

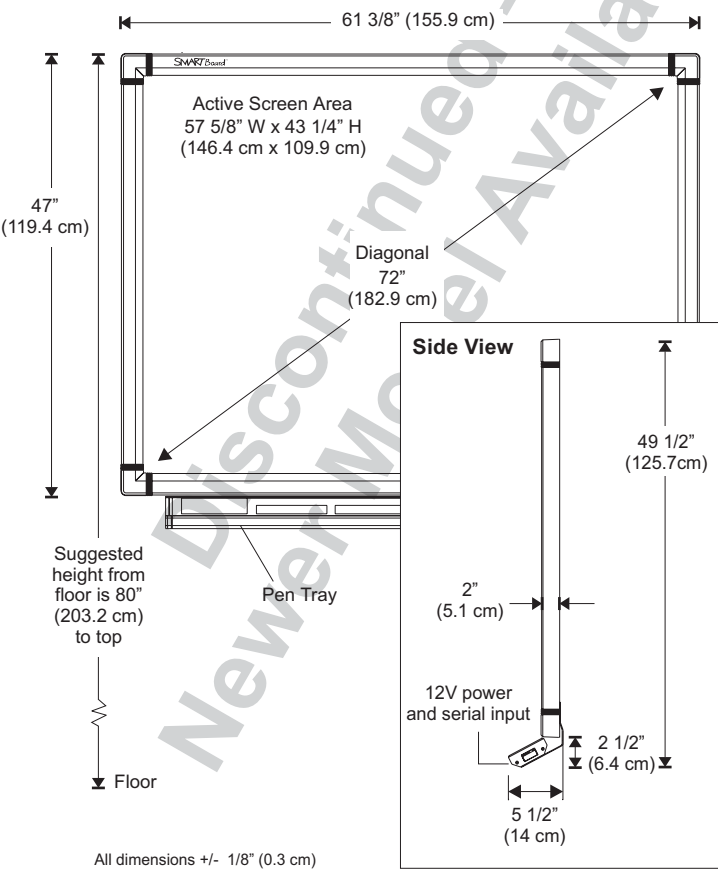


## Floor Stand (optional)



# SMART Board 380

## Wall-mounted



## Floor Stand (optional)

