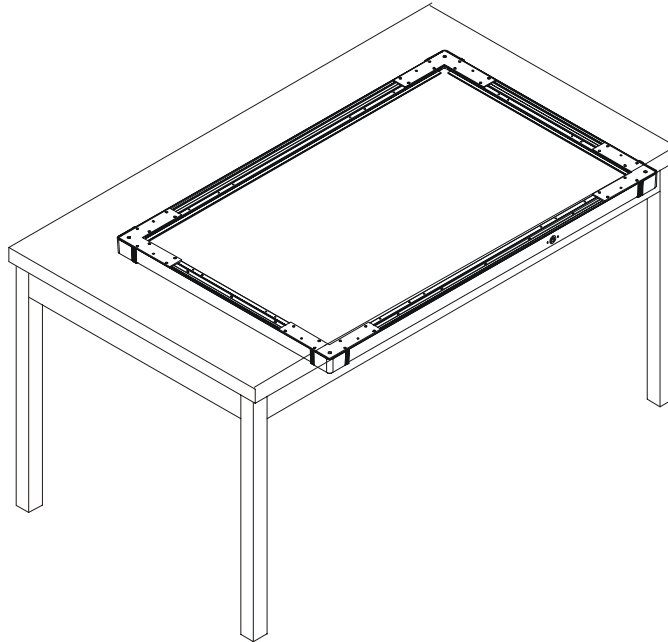


Connecting a SMART Pen Tray™ to Matisse™

If your Matisse overlay comes with a SMART Pen Tray, use these instructions to connect the Pen Tray to the overlay. These instructions replace two sections of the *Matisse Installation and User's Guide*: "Preparing the Overlay" (pages 10-15) and "Connecting the Matisse Overlay" (pages 20-25). However, you should read all other sections of the guide.

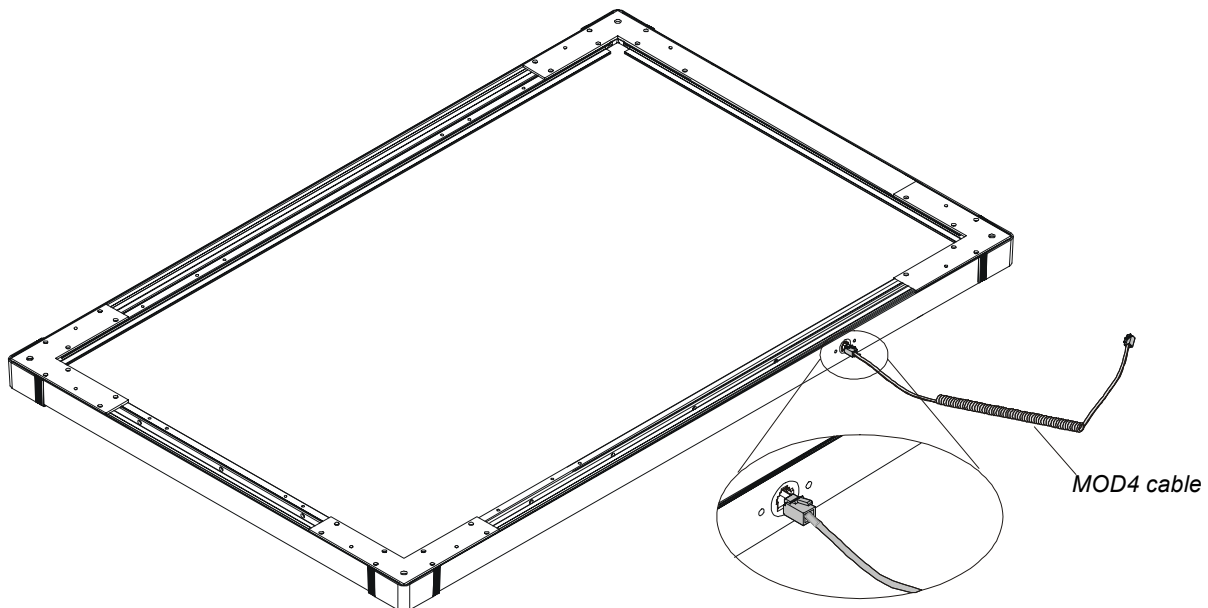
1. Place the overlay on a flat surface.

After removing the overlay from its crate, place it *face down and flat* on a large table. Maneuver the overlay so that its bottom edge hangs slightly over the edge of the table, as shown in the figure below.



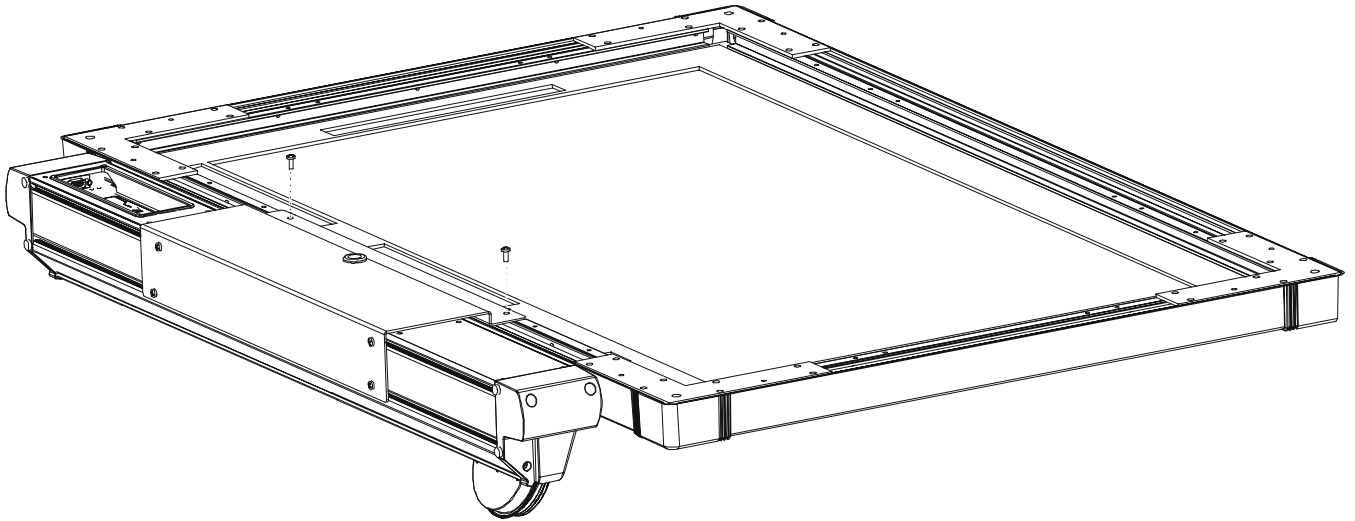
2. Connect the MOD4 cable to the overlay.

Insert the MOD4 connector into the socket on the underside of the overlay. The other end of the MOD4 cable will be connected to the Pen Tray controller in Step 5.



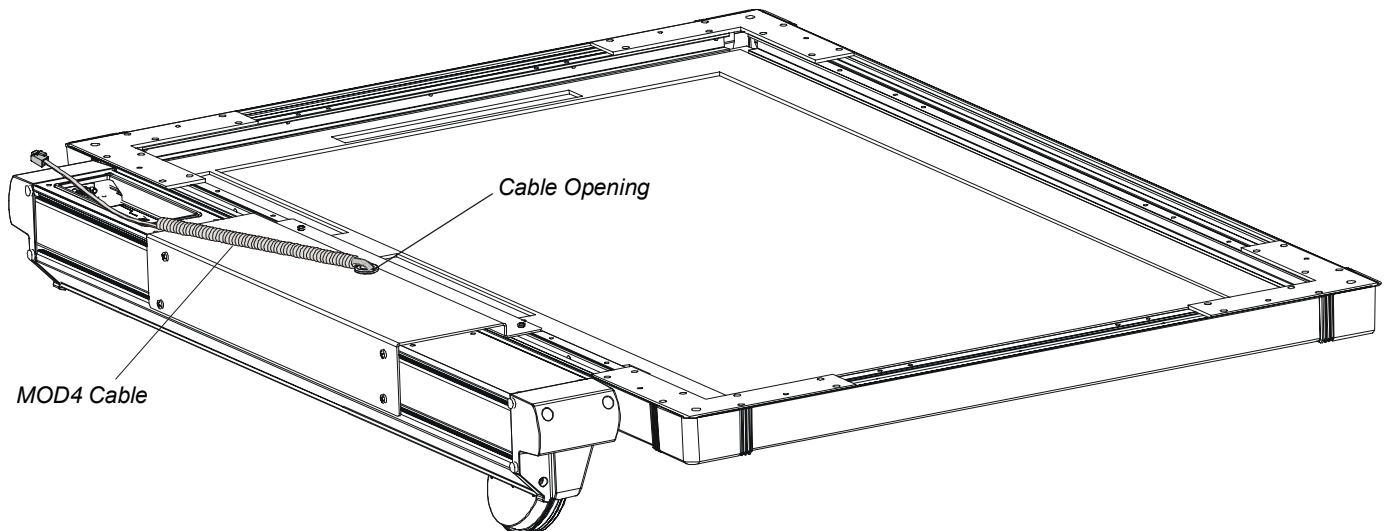
3. Attach the Pen Tray bracket to the overlay.

Place the bracket on the lower edge of the overlay frame. Using a Phillips screwdriver, secure it to the overlay with the two provided screws.



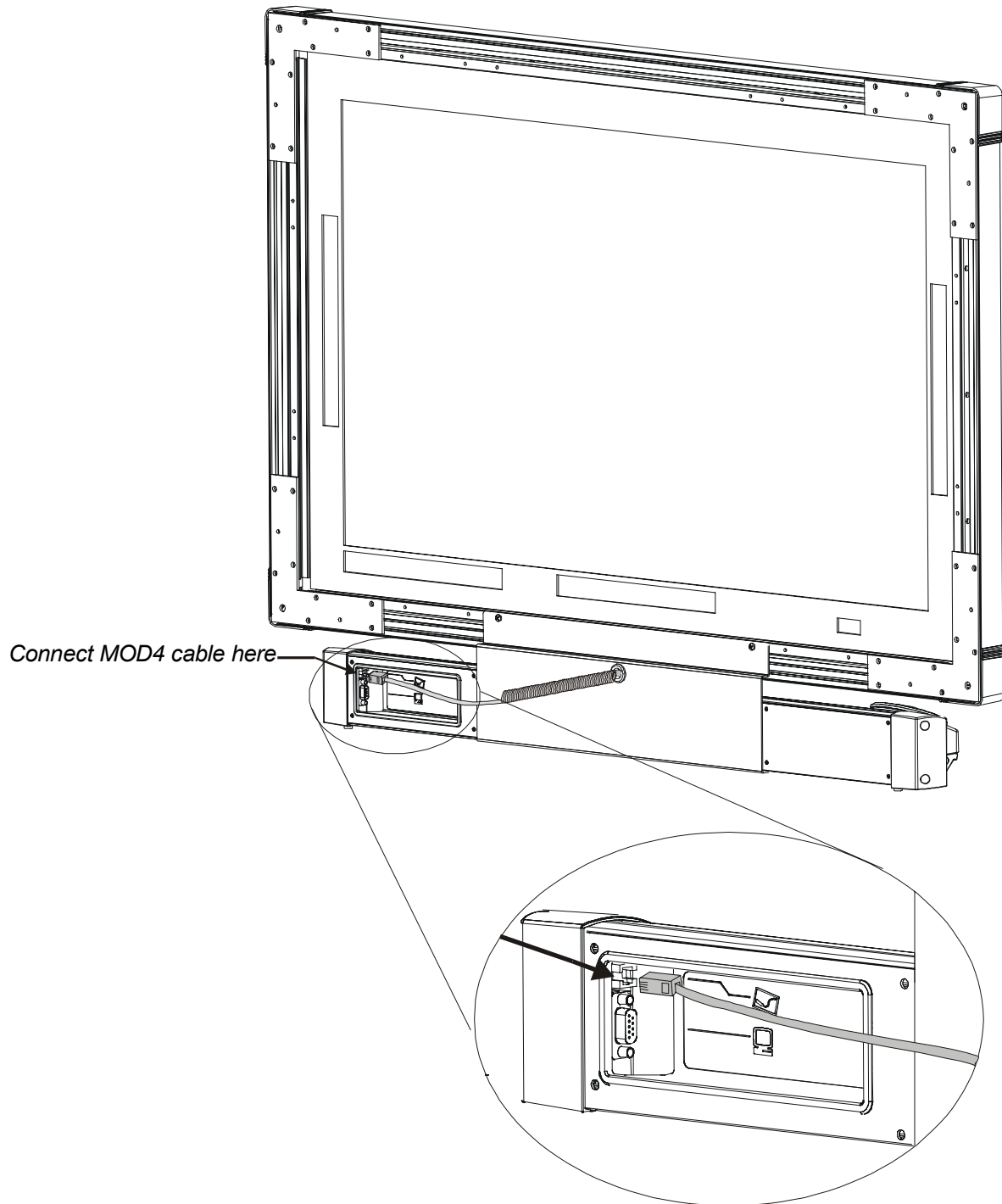
4. Thread the MOD4 cable through the cable opening in the Pen Tray bracket.

Work the free end of the MOD4 cable through the cable opening in the middle of the Pen Tray bracket.



5. Connect the MOD4 cable to the Pen Tray controller.

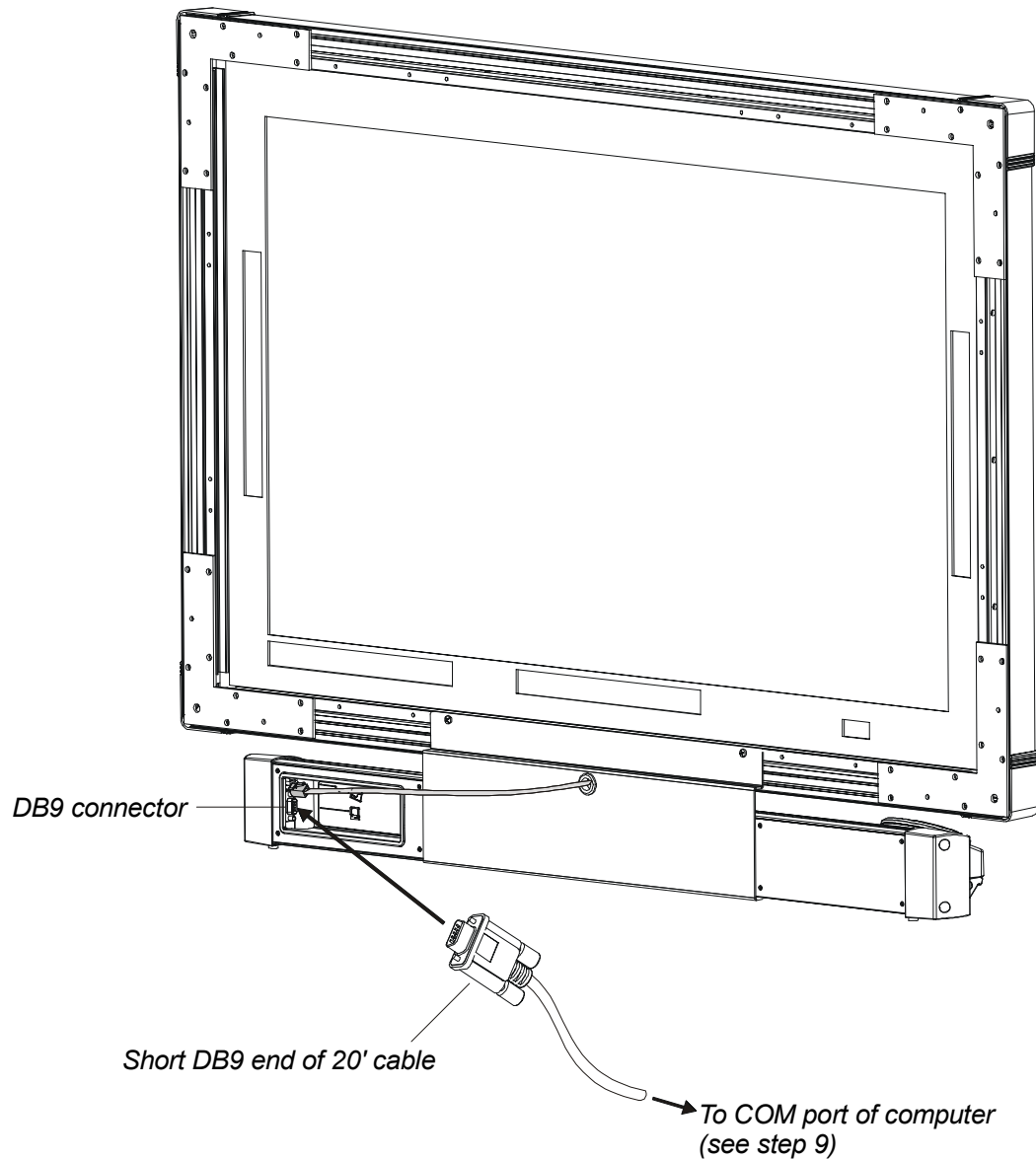
Pull the MOD4 cable over to the Pen Tray controller and insert it into the MOD4 connector.



6. Connect the DB9-to-DB9 cable to the DB9 connector in the Pen Tray controller.

Connect the short end of the supplied 20' DB9-to-DB9 serial cable to the DB9 connector in the Pen Tray controller.

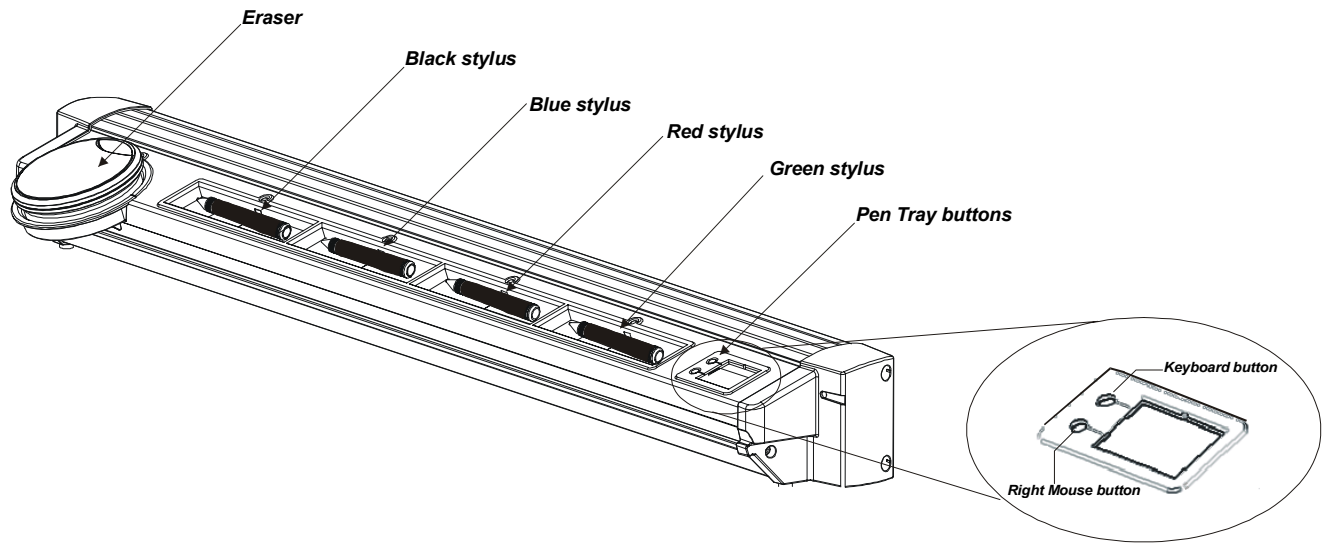
NOTE: The other DB9 end will be connected to your computer's COM port in Step 9.



7. Install the Matisse overlay onto your Plasma Display Panel.

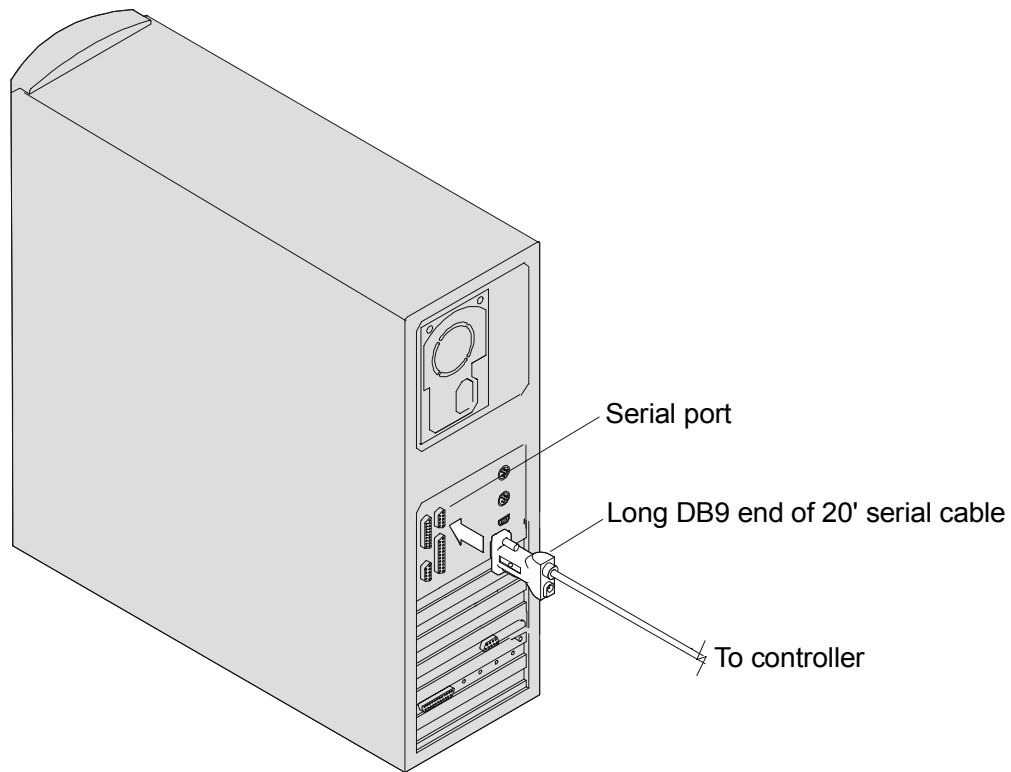
Refer to pages 16 through 19 in the *Matisse Installation and User's Guide* for instructions on installing the Matisse overlay onto the Plasma Display Panel.

8. Place the eraser and four styluses in the Pen Tray.



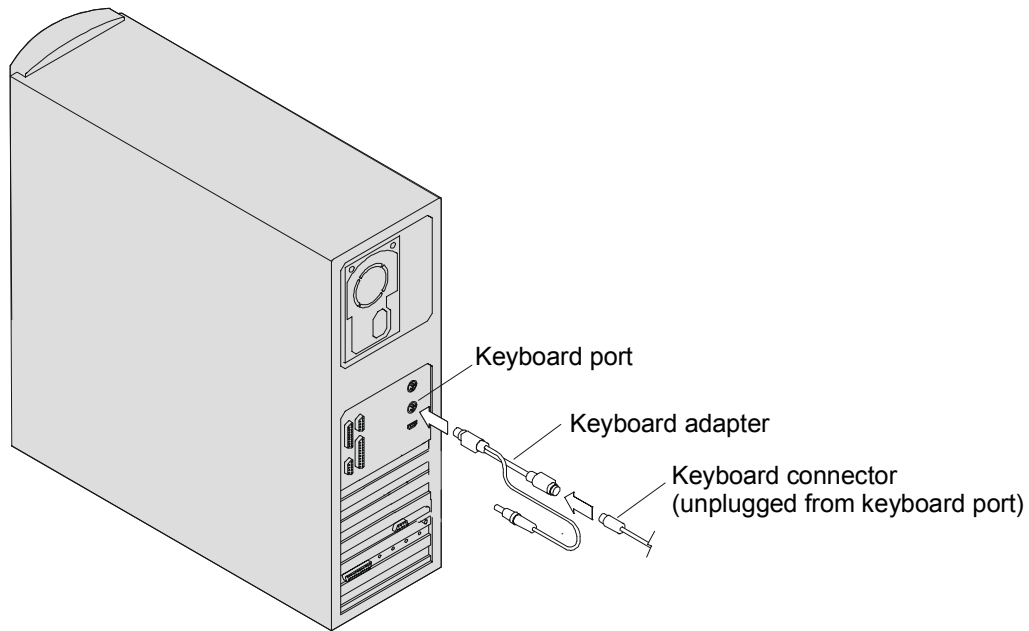
9. Connect the other end of the DB9 cable to the COM port of the computer.

Insert the long DB9 end of the 20' serial cable (short DB9 end connected in Step #6) into an available serial port on your computer.

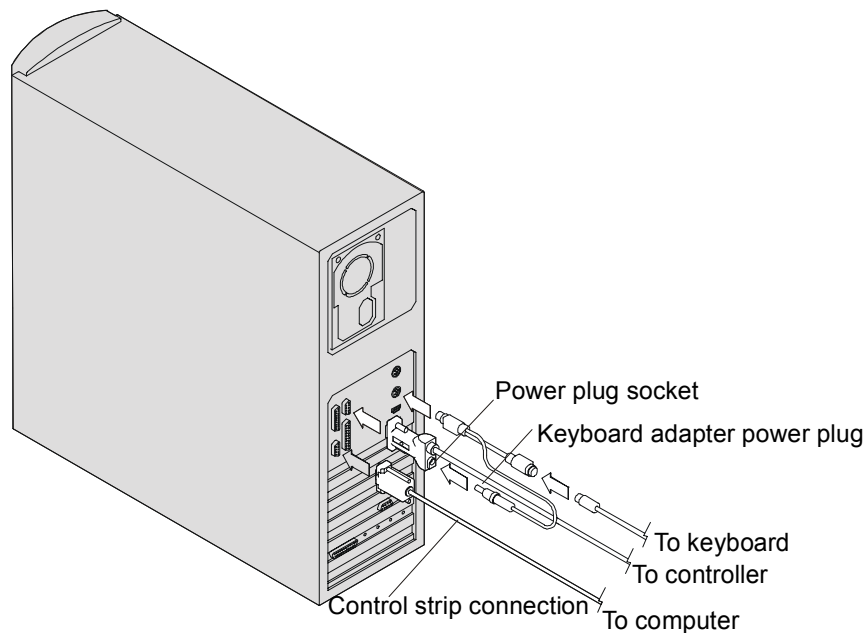


10. Connect the keyboard power adapter to the keyboard port and the DB9 connector.

1. Make sure your computer is turned off, and then unplug the keyboard connector from the keyboard port and reconnect it to the keyboard adapter.



2. Insert the male end of the keyboard adapter into the keyboard port of your computer. Insert the power plug of the keyboard adapter into the back of the long DB9 connector.



NOTE: To use the overlay's Control Display Strip, you'll need to connect the supplied DB9-to-DB9 RS232 cable from your Plasma Display Panel to a second COM port. See page 26 of the *Matisse Installation and User's Guide* for more details.

11. Power up the computer.

A Quick Guide to Using the Pen Tray

To write on top of the Plasma Display Panel image, just pick up one of the four colored styluses from the Pen Tray and write on the Matisse overlay. A stream of electronic ink will appear on Matisse, over top of your current application. To write in a different color, place the stylus you first used back in its slot and select another. Since the color recognition comes from the slots in the Pen Tray rather than the styluses themselves, you must ensure that each stylus is returned to its proper slot (the slot with the corresponding color) when you finish using it.

You have the option of configuring the default characteristics of the electronic ink produced by each stylus: you can change it from solid to transparent (for a highlighter effect), to any one of 16 colors, or to an alternate ink-stream width. To configure the Pen Tray pens, press the Pen Tray Settings button in the SMART Board™ driver window, and then press the Pens tab.

Pen Tray Buttons

Press the top Pen Tray button to make the SMART On-Screen Keyboard appear for on-screen typing and handwriting recognition. Press the bottom button to make the next contact with the Matisse overlay a right-mouse click.

These default behaviors can be reconfigured so that either button can initiate any of the following events:

- Print the current page
- Move to the preceding or the following SMART Notebook™ page
- Clear all annotations from the current page
- Produce a floating mouse

To configure the Pen Tray buttons, press the Pen Tray Settings button in the SMART Board driver window, and then press the Buttons tab.

Capturing What You Write

After writing over a projected application, you may want to capture your annotations. This is easily accomplished with the Save/Print toolbar that appears automatically when you lift a Pen Tray stylus.

1. Open SMART Notebook by clicking on the Windows **Start** menu, then pointing to **Programs**, **SMART Board Software** and, finally, clicking on **SMART Notebook**.
2. Pick up a Pen Tray stylus.

The three-button Save/Print Toolbar will appear.



3. Click the first button on the toolbar to save both the application window background and the annotations as two separate objects on a new page in Notebook.

Click the middle button to immediately open Notebook to a new blank page. If you've written annotations, they are saved as a selectable object on the new page.

Click the last button to send the annotations plus background to the default printer.

4. Return to SMART Notebook to view the capture results.