

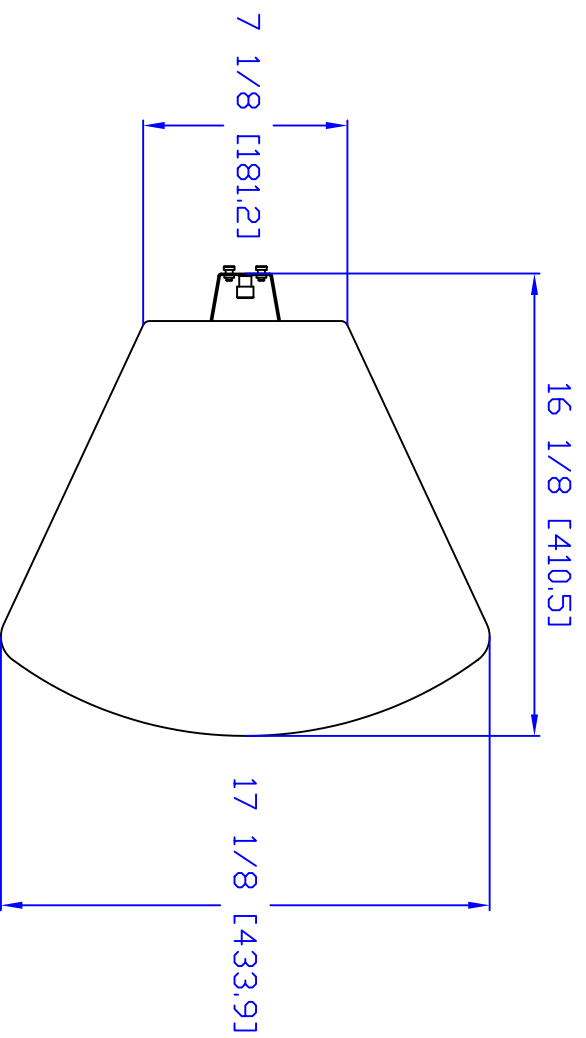
Videoconferencing Shelf Accessory (2000i-VC1) for the Rear Projection SMART Board™ 2000i Interactive Whiteboard

These drawings are for outline and installation purposes only. All dimensions given in inches [millimeters].

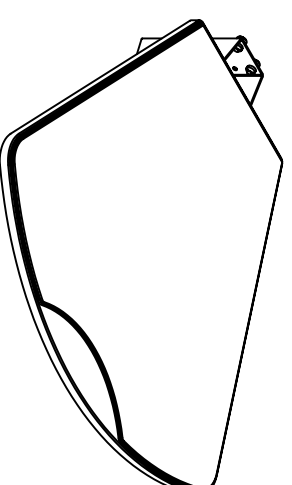
Dimensions are subject to change without notice.

All dimensions +/- .1/8" [3 mm].

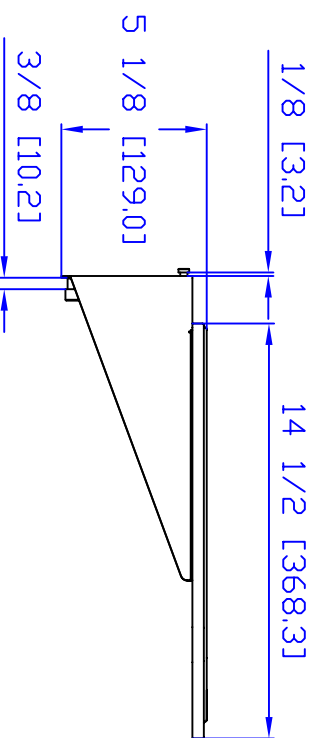
NOTE: DO NOT SCALE.



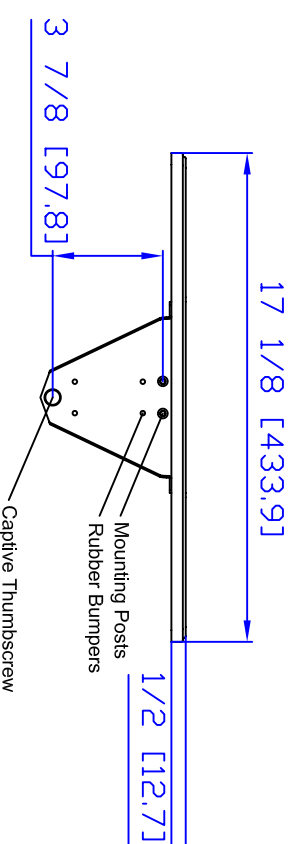
Top View



Isometric View



Side View



Front View



Suite 300, 1207 - 11th Avenue SW
Calgary, AB CANADA T3C 0M5

Main Switchboard:
1.888.42.SMART (Canada/U.S.) or
+1.403.243.0333 (all other countries)

Support Tel:
1.866.518.6791 (Canada/U.S.) or
+1.403.228.5940 (all other countries)

Support Fax:
+1.403.806.1256

Info@smartechn.com
www.smartechn.com

© 2004 SMART Technologies Inc. All rights reserved. SMART Board and the SMART logo are trademarks of SMART Technologies Inc. 11/2004.