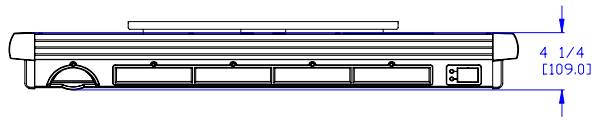


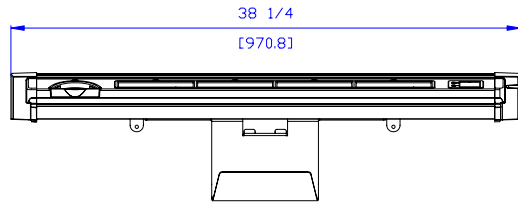
In-Wall *Rear Projection* SMART Board™ Interactive Whiteboard Pen Tray and Mounting Bracket

These drawings are for outline and installation purposes only.
 All dimensions given in inches [millimeters].
 Dimensions are subject to change without notice.
 All dimensions +/- 1/8" [3 mm].
NOTE: DO NOT SCALE.

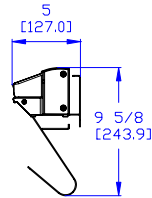
Top View



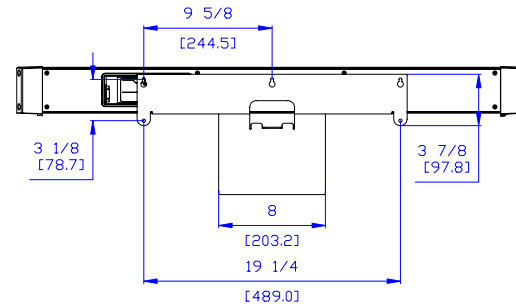
Front View



Side View



Back View



A B C D E F G H I



1207 - 11 Avenue SW, Suite 300
 Calgary, AB T3C 0M5
 CANADA

Support +1.403.228.5940 or
 Toll Free 1.866.518.6791 (Canada/U.S.)

Support Fax +1.403.806.1256

support@smarttech.com
 www.smarttech.com

© 2006 SMART Technologies Inc. All rights reserved. SMART Board and the SMART logo are trademarks of SMART Technologies Inc. 04/2006.

Page: 1 of 1
 Description: CADPT12Bracketv03Apr06