

Projector Wall Mount PMWT-680 for the SMART Board™ 680 Interactive Whiteboard

These drawings are for outline and installation purposes only.

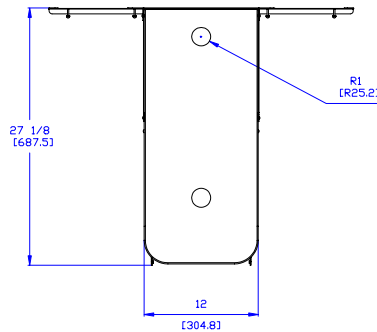
All dimensions given in inches [millimeters].

Dimensions are subject to change without notice.

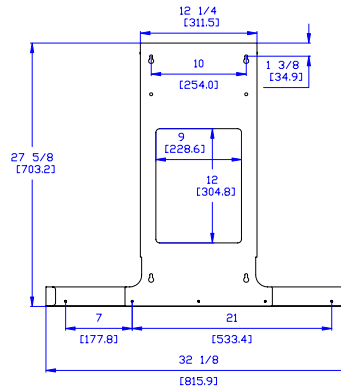
All dimensions +/- 1/8" [3 mm].

NOTE: DO NOT SCALE.

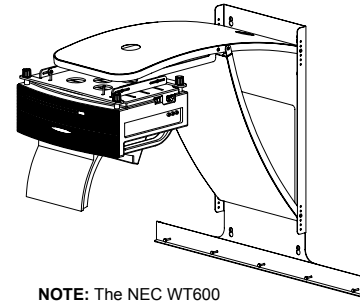
Top View



Wall Plate

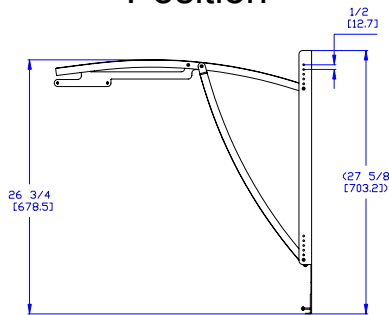


Dimetric View with Projector

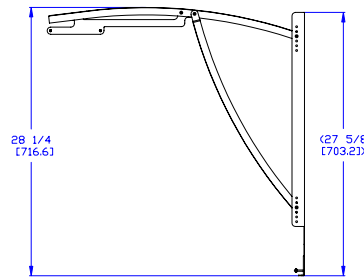


NOTE: The NEC WT600 or WT610 projector is not included.

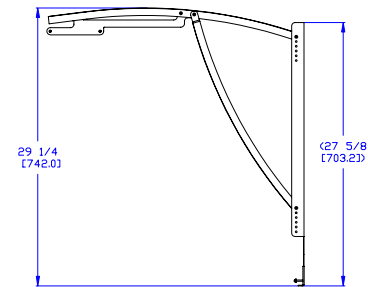
Lowest Position



Recommended Position



Highest Position



A

B

C

D

E

F

G

H

I

SMART
Technologies

1207 - 11 Avenue SW, Suite 300
Calgary, AB T3C 0M5
CANADA

Support +1.403.228.5940 or
Toll Free 1.866.518.6791 (Canada/U.S.)

Support Fax +1.403.806.1256

support@smarttech.com
www.smarttech.com

© 2006 SMART Technologies Inc. All rights reserved. SMART Board and the SMART logo are trademarks of SMART Technologies Inc. All other third-party product and company names may be trademarks of their respective owners. Contents are subject to change without notice. 05/2006.

Page: 1 of 1

Description: CADPMWT680v02May06