

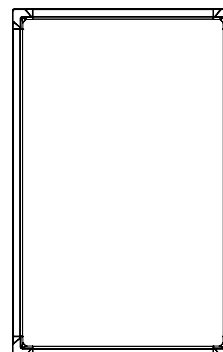
# Actalyst™ Interactive Digital Signage

## Specifications – Model KPX342b for Select 42" Flat-Panel Displays

**NOTE:** For a complete list of supported flat-panel displays, visit [www.smarttech.com/ActalystSpec](http://www.smarttech.com/ActalystSpec).

### Physical Specifications

<b>Size</b>	<b>Portrait Orientation</b> 30 3/4" W x 46 1/4" H x 2 3/8" D (78.1 cm x 117.5 cm x 6.0 cm)
<b>Weight</b>	47 lb. (21.3 kg)
<b>Shipping Size</b>	47" W x 58" H x 21" D (119.4 cm x 147.3 cm x 53.3 cm)
<b>Shipping Weight</b>	110 lb. (50.0 kg)



All dimensions +/- 1/8" (0.3 cm). All weights +/- 2 lb. (0.9 kg).

### Standard Features

<b>Software</b>	Actalyst™ interactive overlay touch driver software. Upgrades are available at <a href="http://www2.smarttech.com/st/en-US/Support/Downloads/default.htm">http://www2.smarttech.com/st/en-US/Support/Downloads/default.htm</a> .
<b>Controller</b>	You can mount the controller on the back of the interactive overlay with two included thumbscrews. A modular cable connects the interactive overlay to the controller, and the controller connects to a computer with the included 21' 6" (6.5 m) USB/serial converter cable. The DB9 serial connector connects to the controller and the USB connector connects to an available USB receptacle on the computer.
<b>Mounting Brackets</b>	Four mounting brackets secure the interactive overlay to the flat-panel display with eight No. 8-32 thumbscrews.
<b>Front Surface Material</b>	Hard-coated, anti-glare polyester that's designed for optimal light transmission. Chemical and scratch resistant.
<b>Digitizing Technology</b>	DViT™ (Digital Vision Touch) technology uses two digital cameras in the top two corners of the interactive overlay to track an object interacting with the display surface.
<b>Power Requirements</b>	Switching power supply, 100V–250V AC, 47 Hz–63 Hz, 12V DC 4.2A, 6' (1.8 m) power cord
<b>Power Consumption</b>	Power consumption is up to 40 W.
<b>Compliance</b>	CE, WEEE, RoHS (Europe), RoHS (China)
<b>Warranty</b>	Two-year limited equipment warranty
<b>Installation Notes</b>	You can install the interactive overlay on a flat-panel display that is securely mounted to a wall or floor stand. However, the wall mount or floor stand must be able to support a combined weight of 170 lb. (77.1 kg). Because of stability and mechanical fit issues, table stands are not recommended. You cannot attach speakers directly to the sides of a flat-panel display when an interactive overlay is installed. Do not install the Actalyst interactive overlay where it will be exposed to the weather or direct sunlight.

### Computer Requirements

<b>Windows® Computers</b>	Pentium® II 450 MHz processor 128 MB of RAM (256 MB recommended) 60 MB of free hard disk space Windows 2000, Windows XP or Windows Vista™ operating system Internet Explorer® Internet browser 6.0 or later
---------------------------	---

## Specifications – Model KPX342b for Select 42" Flat-Panel Displays

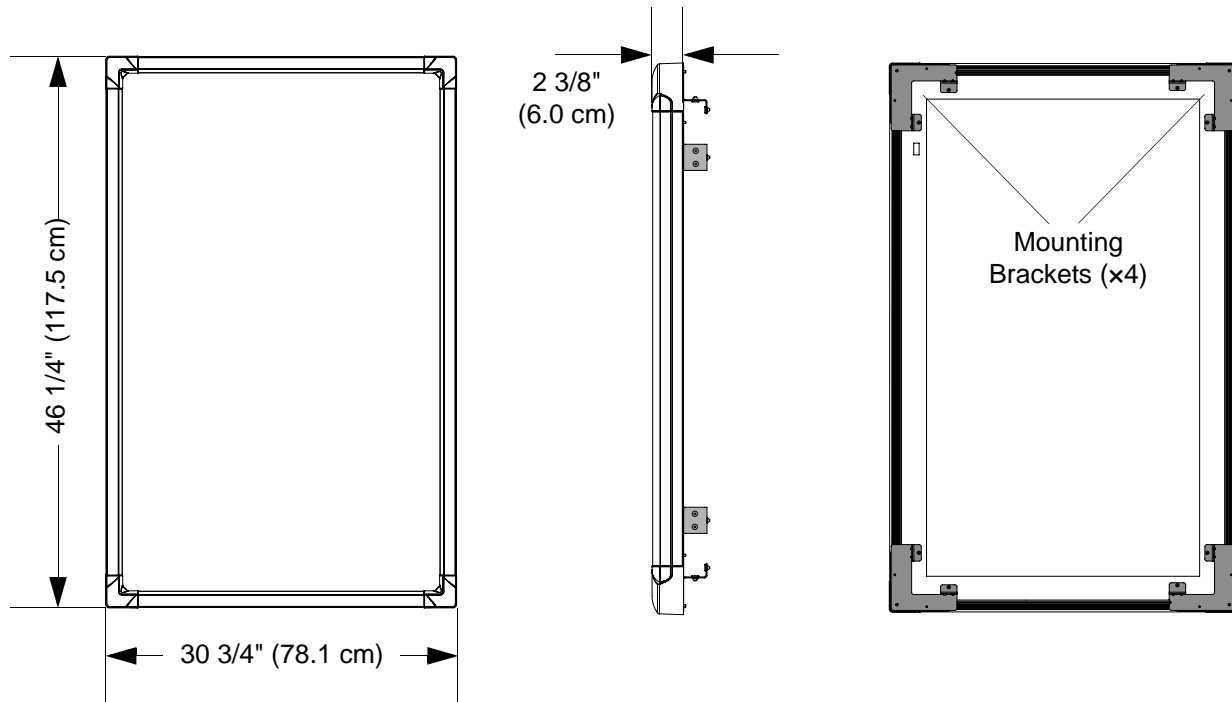
<b>Mac Computers</b>	700 MHz processor (1 GHz or faster recommended) 97 MB of RAM (256 MB recommended) 75 MB of free hard disk space Mac OS X version 10.4.x operating system software Safari application program version 1.3.2 or later SMART Board software version 9.7 supports both PowerPC® and Intel® processors (universal binary)
<b>Linux® Computers</b>	Pentium II 450 MHz processor 128 MB of RAM (256 MB recommended) 28 MB of free hard disk space Linux kernel version 2.6 or later X Window System™ version 11 release 6 (X11R6) or later (must support XRender, Xinerama™, XFixes, Xau and Xdmcp) glibc 2.3.3 (gcc 3.4.2) libstdc++6 GNOME™ 2.8.0+ or KDE® 3.3+ libraries (recommended) SUSE™ 10, Red Hat® Enterprise Linux 4 WS, Debian® 3.1 (Sarge), Ubuntu® 6.06 LTS or Fedora™ Core 3+

---

### Storage and Operating Specifications

<b>Storage</b>	-40°F to 95°F (-40°C to 35°C) with up to 95% humidity non-condensing
<b>Operation</b>	41°F to 95°F (5°C to 35°C) with up to 90% humidity non-condensing

## Dimensions



## SMART Order Number

KPX342b

Actalyst interactive overlay for select 42" flat-panel displays in portrait orientation

**SMART Technologies**  
1207 – 11 Avenue SW, Suite 300  
Calgary, AB T3C 0M5  
CANADA

**SMART**  
Technologies

[www.smarttech.com/support](http://www.smarttech.com/support) [www.smarttech.com/contactsupport](http://www.smarttech.com/contactsupport)  
Support +1.403.228-5940 or Toll Free 1.866.518.6791 (Canada/U.S.)

© 2004–2007 SMART Technologies ULC. All rights reserved. Actalyst, DVIT, smarttech and the SMART logo are trademarks or registered trademarks of SMART Technologies ULC in the U.S. and/or other countries. Windows and Windows Vista are either registered trademarks or trademarks of Microsoft Corporation in the U.S. and/or other countries. All other third-party product and company names may be trademarks of their respective owners. U.S. Patents Nos. 5,448,263; 6,141,000; 6,337,681; 6,747,636; 6,803,906; 6,919,880; 6,947,032; 6,954,197; 7,184,030 and 7,236,162. Canadian Patent No. 2,058,219. European Patent No. EP 1,297,488. Other U.S., Canadian and foreign patents pending. Specifications are subject to change without notice. 11/2007.