

Replacing the Projector Lamp

You must replace the lamp in the Unifi projector after 2000 hours of operation (3000 hours in Eco mode). After 2000 hours (or 3000 hours) the Unifi projector turns off and goes into Standby mode. When this happens, replace the lamp assembly.

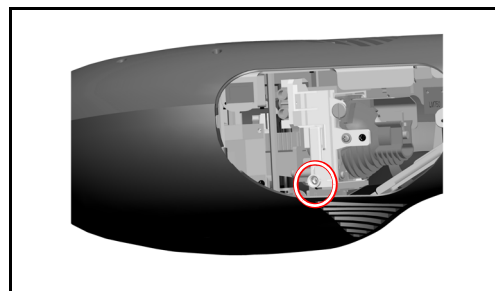
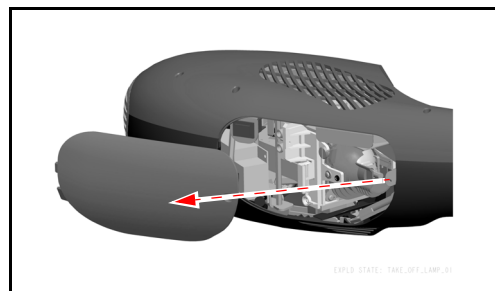
WARNING



- If you continue to use the projector after 2000 hours (3000 hours in Eco mode) the lamp may shatter or burst, scattering glass throughout the projector head.
- If the lamp has shattered or burst, call a SMART authorized service representative for instructions. Do not attempt to replace the lamp.
- If the lamp has shattered or burst, do not touch the glass fragments as they may cause injury. Wash your hands thoroughly if you have touched debris from the lamp. Ventilate the area where the lamp rupture occurred.
- Before replacing the lamp, turn the projector off and wait for it to cool for one hour before removing the lamp assembly. Failure to do so can cause severe burns.
- Wear protective eyewear while changing the lamp. Failure to do so can cause injury or loss of eyesight resulting from lamp bursting.
- Do not remove screws other than those specified in the following lamp replacement instructions.
- Do not use a lamp other than the SMART replacement Part No. 01-00228.
- To prevent premature lamp failure or exposure to mercury, always handle the fragile lamp assembly with care. Don't touch the lamp with your fingers.
- Never replace the lamp assembly with a previously used lamp assembly.
- The lamp used in the Unifi projector contains mercury. Don't put it in the trash. Recycle or dispose of as hazardous Waste, in accordance with local regulations.

To replace the projector lamp

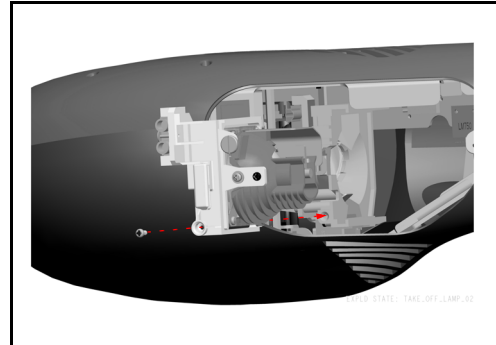
1. Turn off the projector, disconnect it from the power outlet, and then wait for at least one hour for the lamp assembly to cool.
2. Use a Phillips No. 2 screwdriver to loosen the captive screw from the lamp cover on the right side of the projector head, and then remove the cover.
3. Remove the lamp retention screw (circled in the diagram).
NOTE: Do not remove any other screws.
4. Gently pull the lamp assembly out of the projector head.



CAUTION

Do not touch any part of the replacement lamp assembly's bulb with your fingers or tools. Fingerprints or other contamination can cause premature lamp failure.

5. Push the replacement lamp assembly into position in the projector head, and then firmly press it into place to fully seat the power connector.
6. Replace the lamp retention screw.
7. Replace the lamp cover and screw.
8. Dispose of the lamp assembly in an environmentally friendly manner, in accordance with local regulations.



NOTE: If the lamp failed within the warranty period, your support representative may ask you to record the lamp hours, and return the faulty lamp to SMART Technologies. If you are asked to return the lamp assembly, please use the replacement lamp's packaging.

To reset the lamp usage timer

After replacing the projector lamp assembly, reset the lamp usage timer. Use the Unifi software on-screen menu or the remote control to access the projector's on-screen display.

1. Press the **Settings** button on the Unifi on-screen interface, and then select **Advanced settings**.

OR

Press the remote control's **Info** button.

2. Select the **Setup** menu (wrench icon).
3. Select the **Reset Lamp HRS** option.
4. Press **Yes** to confirm.



SMART Technologies

1207 – 11 Avenue SW, Suite 300
 Calgary, AB T3C 0M5
 CANADA

Support +1.403.228.5940 or Toll Free 1.866.518.6791 (Canada/U.S.)
www.smarttech.com/support www.smarttech.com/contactsupport

© 2006–2007 SMART Technologies ULC. All rights reserved. Unifi, smarttech and the SMART logo are trademarks or registered trademarks of SMART Technologies ULC in the U.S. and/or other countries. All other third-party product and company names may be trademarks of their respective owners. Patent No. US5448263; US6141000; US6337681; US6747636; US6326954; US6540366; and CA2058219. Other patents pending. Contents are subject to change without notice. 11/2007.

SMART
 Technologies

99-00754-20 REV B0