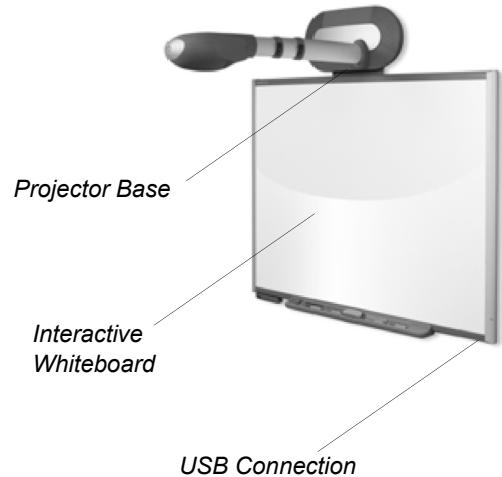


Updating the Interactive Whiteboard Firmware

If the Control Module isn't working correctly, or if the interactive whiteboard's SC9 controller firmware version is earlier than 4.1.2, use the following procedure to update the firmware. To see the SC9's firmware version from the Unifi on-screen display, press **Settings > System Information**, and read the value to the right of SC9 FW VER.

1. Unplug the USB cable that connects the SMART Board interactive whiteboard to the projector base.
2. Plug the cable into the computer.
3. Put the included CD in the computer's CD drive.
4. Copy the contents of the CD into the SMART Board software directory. The default directory is C:\Program Files\SMART Board Software.
5. Double-click the **SC9-4.1.2.0 Flash.exe** program to update the firmware.
6. Disconnect the USB cable from the computer.
7. Reconnect the cable to the projector base.



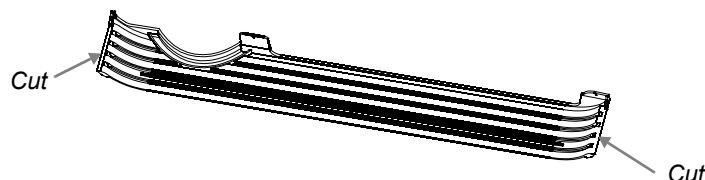
Updating the Unifi Projector Firmware

To take advantage of the latest firmware enhancements for your Unifi 35 projector, go to www.smarttech.com/600ifirmware to see if an update is available. To see the Unifi 35 projector's firmware version on the Unifi on-screen display, press **Settings > System Information**, and read the value to the right of SMART FW VER.

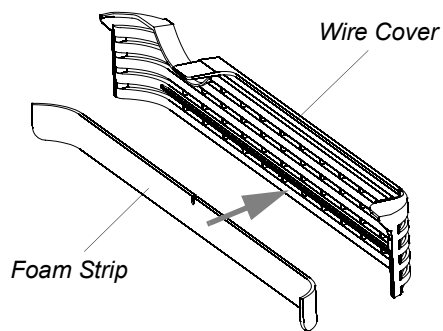
Installing the Wire Cover

SMART provides a wire cover with the Unifi 35 projector that you can use to hide exposed wires between the projector base and the interactive whiteboard's top frame.

1. If it is already installed, remove the lower cover from the projector base.
2. If you're installing the wire cover on a 660i interactive whiteboard system, remove the bottom two bars, narrowing the wire cover to 1 1/8" (29 mm). Use cutters to cut the plastic at each end of the cover as shown, and then flex it until it snaps.

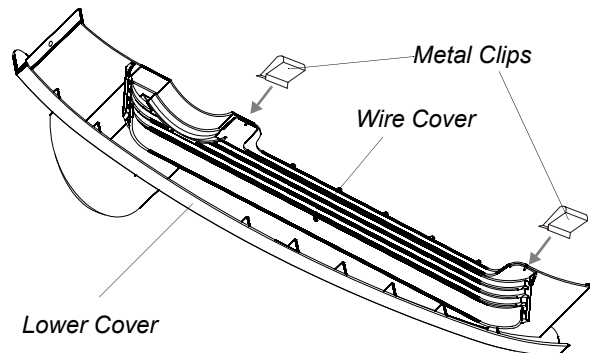


NOTE: Do not cut the wire cover if you're installing a 680i interactive whiteboard system.



3. Remove the backing from the adhesive on the provided foam strip, and press the foam strip onto the lower edge of the wire cover.

4. Use the two provided metal clips to attach the wire cover to the lower cover as shown.
5. Attach the lower cover to the projector base.



SMART Technologies Inc.
1207 – 11 Avenue SW, Suite 300
Calgary, AB T3C 0M5
CANADA

www.smarttech.com/support www.smarttech.com/contactsupport
Support +1.403.228.5940 or Toll Free 1.866.518.6791 (Canada/U.S.)

© 2006-2007 SMART Technologies Inc. All rights reserved. SMART Board and the SMART logo are trademarks of SMART Technologies Inc. All other third-party product and company names may be trademarks of their respective owners. Contents are subject to change without notice. 1/2007.

SMART
Technologies

99-00756-22-A0