

Expression™ Mobile Multimedia Cabinet

Specifications – Model 303

Physical Specifications

Size	Finished Cabinet	46 1/8" W x 30 3/4" H x 18 5/8" D (117.1 cm x 78.2 cm x 47.3 cm)
	Peripheral Cavity	20 3/4" W x 25" H x 14 1/8" D (52.7 cm x 63.5 cm x 36.1 cm)
	Peripheral Shelves	20 3/4" W x 3/4" H x 14 1/8" D (52.7 cm x 1.9 cm x 36.1 cm)
		Shelves have weight restrictions of 50 lb. (22.7 kg)
	Computer Compartment	9" W x 19 1/4" H x 20" D (22.8 cm x 48.8 cm x 50.8 cm)
Weight	Finished Cabinet	140 lb. (63.6 kg)
Shipping Weight	Cabinet and Crate	250 lb. (114 kg)
Shipping Size	Crate	50" W x 41" H x 27" D (127 cm x 104 cm x 68.6 cm)

All dimensions +/- 1/8" (0.3 cm). Cabinet weight +/- 20 lb. (9.1 kg).

Cabinet

Shell	Finished with beechwood laminate siding (custom finishes available upon request) 1" top surface with charcoal-gray plastic laminate and rubber bullnose edging Locking front, side and rear doors
Portability	Roll-about, self-contained unit Four 3" (7.5 cm) locking casters
Peripheral Support	Shelving is vertically adjustable in 1 1/4" (3.2 cm) increments
Warranty	One-year limited equipment warranty

Peripheral Switches and Cabling

Video, Audio and Data Switch	SMART X-Port™ 10 Switch	Toggles connections for data, audio and video from the internal computer to a guest laptop
-------------------------------------	-------------------------	--

Interconnection Cables Connect internal computer and peripherals

Control Panel

Main Power Switch	Controls power to the computer and all peripherals within the cabinet	
AC Power Outlet	Supplies power to a guest laptop or other powered device (IEC to country-specific plug adapter included)	
SMART X-Port 10 Control Button	Toggles the projection display from internal computer display to guest laptop display	
Volume Control Dial	Centralizes all volume control	
Guest Laptop Connections		
Board Cable	DB9 (F)	Connects the guest laptop to a SMART Board™ interactive whiteboard via the X-Port 10 switch
Audio Cable	3.5 mm Stereo Jack	Connects the guest laptop to the internal or external audio system via the X-Port 10 switch
Video Cable	DB15HD (M)	Connects the guest laptop to the projector via the X-Port 10 switch
Network Cable	RJ45	Connects the guest laptop to the network

Audio System

Mixer	Unified audio system with automatic line-level mixing of computer and two other audio sources
Volume Control	Single volume control for all audio sources
Amplifier	Amplifies the mixed audio; optimum for room of maximum 1,000 ft ² / 30-person capacity
Speakers	Two 15-watt speakers

Connection Panel

Board Serial Connection	DB9 (M)	For the connection of a SMART Board interactive whiteboard
Board Power Connection	Mini-DIN 6-pin (PS/2) (F)	Supplies power to the connected SMART Board interactive whiteboard
Projector Connections	RGB (HD15), Composite Video (RCA), S-Video, RS-232 (DB9)	Connects a projector (or other display device) to a VCR and/or DVD player, and the computer or guest laptop
Universal Serial Bus	USB	Provides a USB connection to the internal computer
VCR Connections	Composite Video (RCA), Audio (2 X RCA)	Connects the VCR to the projector and the internal audio system
DVD Player	S-Video, Audio (2 X RCA)	Connects the DVD player to the projector and the internal audio system
Network – Internal Computer	RJ45	Provides an internal computer connection to a LAN
Network – Laptop	RJ45	Provides a guest laptop connection to a LAN
Audio OUT	L & R RCA Jacks	Provides for the connection of an external audio system
Printer Connection	DB25	Connects printer to internal computer

Power Management System

Input	Supports international power standards 90 – 250V, 50 – 60 Hz
Switch	Top-mounted, easy-access main power switch/indicator
Internal Distribution	Internal AC power bar uses IEC connectors to simplify integration in all international markets. An internal 12V DC power supply provides power for the Expression cabinet audio system and X-Port 10 switch. Up to 1 amp at 12V DC is also made available for simplified integration of low-power peripherals.
International Extension Cables	Power cables to convert AC-IEC power bar to country-specific requirements

Macintosh® Conversion Kit (optional)

Board Serial Adapter	Mini-DIN 8 to DB9M	Allows a Macintosh computer to connect to the board serial cable
Video Cable Adapter	DB15M to HD15F	Allows a Macintosh computer to connect to the projector video cable
Printer Cable Adapter	Mini-DIN 8 to DB25F	Allows a Macintosh computer to connect to the printer cable

NOTE: One kit will convert either the internal computer connections or the guest laptop connections. Two kits are required to do both.

SMART Order Number

SE1-303 SMART Expression Mobile Multimedia Cabinet

NOTE: Equipment, such as a computer, projector, VCR, DVD player, printer or SMART Board interactive whiteboard, is not included.

SMART Technologies Inc.

Suite 600, 1177 – 11th Avenue SW
Calgary, AB CANADA T2R 1K9
Support: 1.866.518.6791 (Canada/U.S.) or +1.403.228.5940 in all other countries
Main Switchboard: 1.888.42.SMART (Canada/U.S.) or +1.403.245.0333 in all other countries
Fax: +1.403.245.0366
info@smarttech.com www.smarttech.com

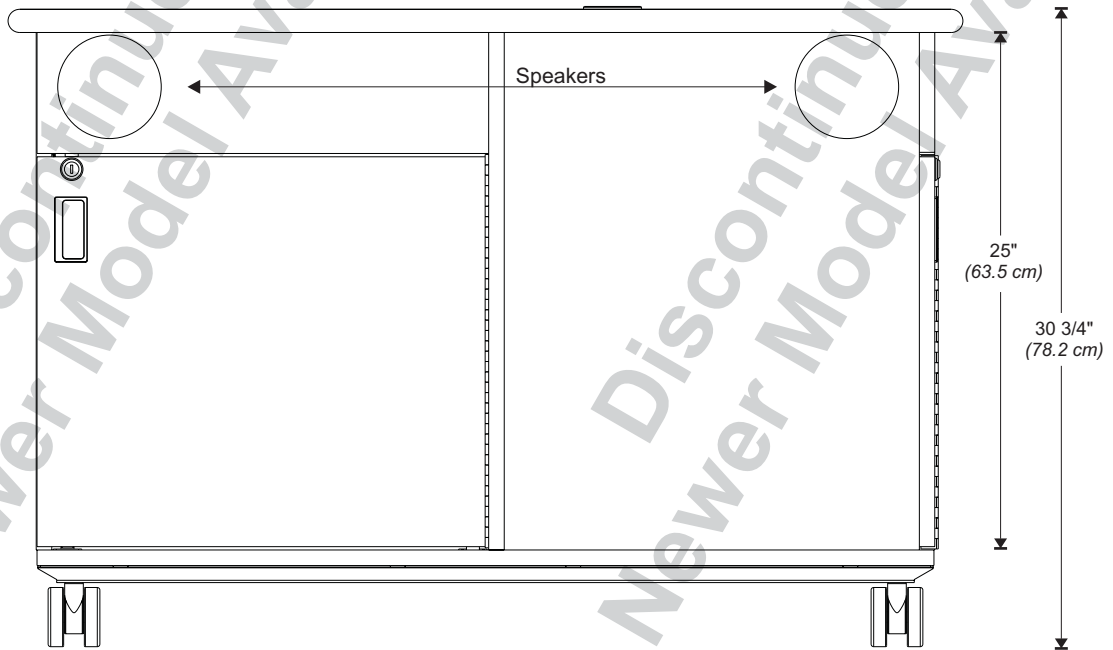


Bringing people and ideas together.™

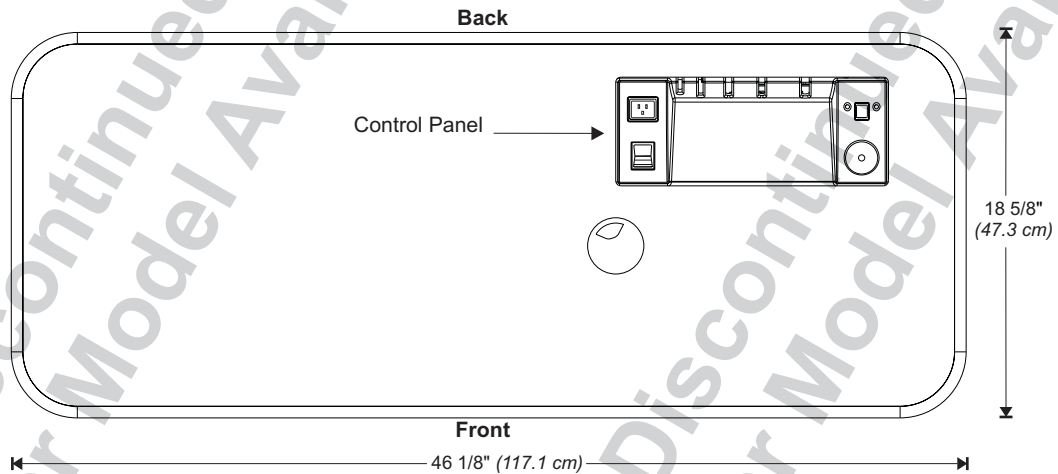
Expression™ Mobile Multimedia Cabinet

Specifications – Model 303

Front View



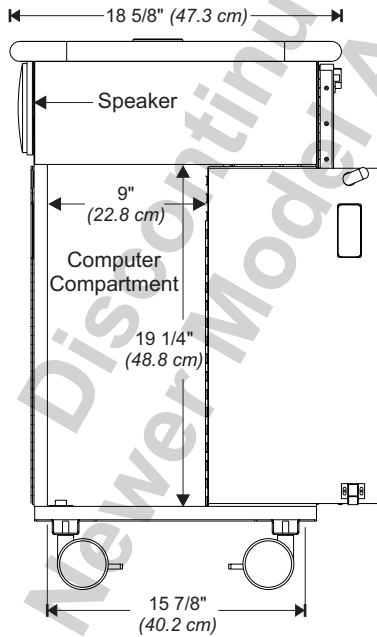
Top View



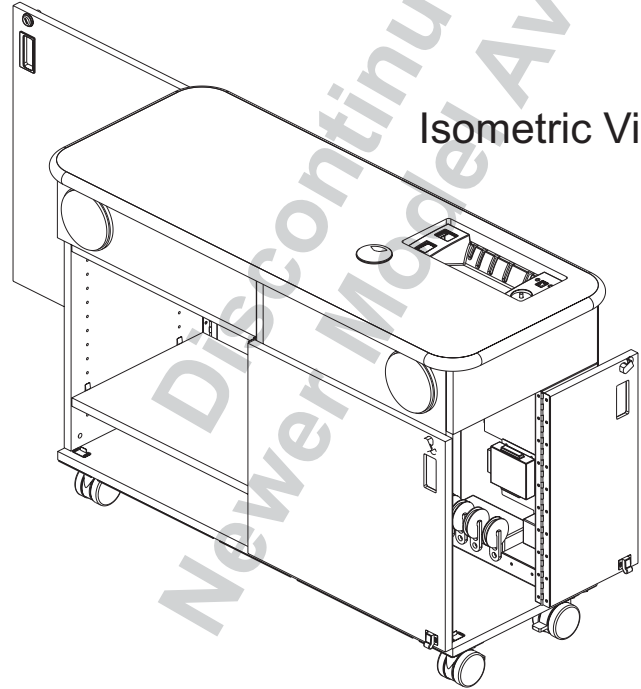
Expression Mobile Multimedia Cabinet

Specifications – Model 303

Side View



Isometric View



Rear View

