

Determining the Serial Number of a *Rear Projection* SMART Board™ Interactive Whiteboard



Applies to: All *Rear Projection* SMART Board™ interactive whiteboards

Overview

This document explains how to determine the serial number of a *Rear Projection* SMART Board.

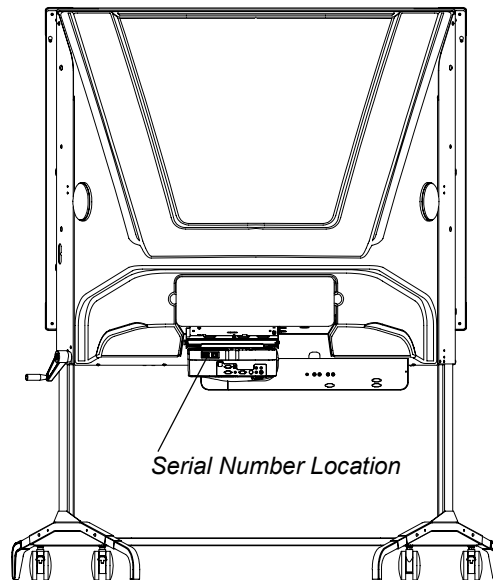
NOTE: You need this serial number to obtain a product key for SMART Notebook software 10.

Details

The serial number format and location varies between *Rear Projection* SMART Board interactive whiteboard models.

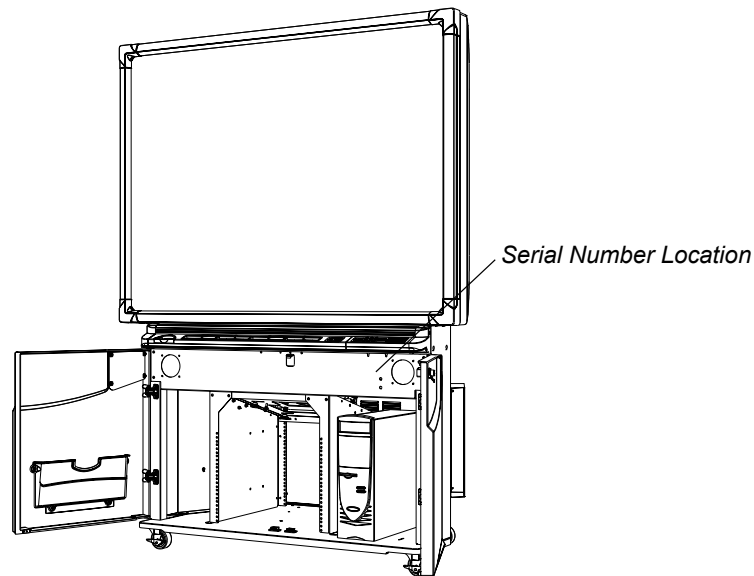
To locate the serial number on a *Rear Projection* SMART Board 2000i interactive whiteboard

You can find the serial number on a white sticker attached to the vertical surface of the projector platform. The number follows the format: 2000i-DVS-xxxxx.



To locate the serial number on a *Rear Projection SMART Board 3000i or 4000i* interactive whiteboard

You can find the serial number on the top-right corner of the speaker panel behind the cabinet's front doors. The number format varies depending upon which model you have, but follows one of these formats: 3000i-DV-xxxxx or 4000i-DV-xxxxx. The serial number is also on the back of the unit.



NOTE: For information about locating the serial number of other SMART hardware products:

- See document [84327](#) - *Front Projection SMART Board* interactive whiteboard
- See document [84317](#) - *In-Wall Rear Projection SMART Board* interactive whiteboard
- See document [84319](#) - *SMART Board for Flat-Panel Displays* interactive whiteboard
- See document [84324](#) - *Actalyst™* interactive digital signage
- See document [84325](#) - *AirLiner™* wireless slate
- See document [84323](#) - *Symposium™* interactive pen display

First Published: August 31, 2007

Last Updated: July 15, 2008

www.smarttech.com/support www.smarttech.com/contactsupport
Support +1.403.228.5940 or Toll Free 1.866.518.6791 (U.S./Canada)

© 2007–2008 SMART Technologies ULC. All rights reserved. SMART Board, Notebook, Actalyst, AirLiner, Symposium, smarttech and the SMART logo are trademarks or registered trademarks of SMART Technologies ULC in the U.S. and/or other countries. All other third-party product and company names may be trademarks of their respective owners. Patent No. US5448263; US6141000; US6337681; US6747636; US6803906; US6919880; US6947032; US6954197; US7184030; US7236162; US7289113; CA2058219; EP1297488; ES2279823; ZL0181236.0; and DE60124549. Other patents pending. 07/2008.

SMART
Technologies